



# ZINKO

# High Flow Hand Pump

Model: ZHP-462 / ZHP-464

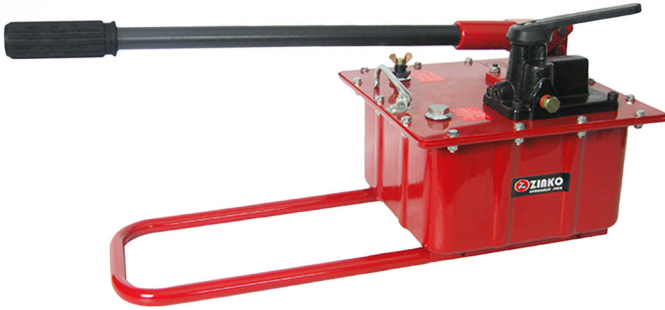
Capacity: 453 in<sup>3</sup> Usable Oil Capacity

### Usage:

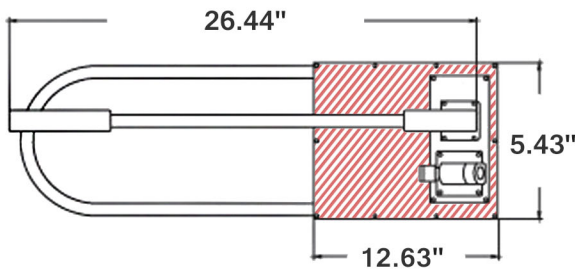
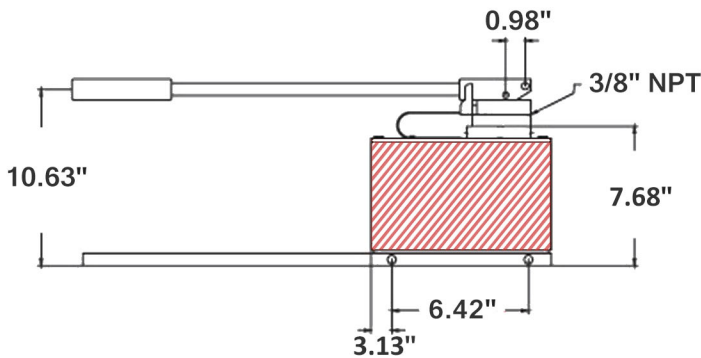
These two-speed high flow hand pumps provide large oil capacity to power a wide range of cylinders. The pumps also come with lightweight aluminum reservoir for portability and provide internal pressure relief valve for overload protection.

### Special Features:

1. The strongest aluminum alloys are used and heat-treated to provide the maximum combination of strength to resist fractures.
2. The best choice for applications where composite reservoirs may not be suitable.
3. Two-speed pumps provide rapid cylinder's stroke at 1st stage, minimizing effort. At the 2nd stage, the pumps automatically switch when a load is applied. This allows for faster fills and reduces cycle times for many testing operations.



**ZHP-462**



**ZHP-464**

Model Number	Speed	Usable Oil Capacity (in <sup>3</sup> )	Pressure Rating (psi)		Oil Displacement Per Stroke (in <sup>3</sup> )		Max Handle Effort (lbs)	Piston Stroke (in)	Weight (lbs)
			1 <sup>st</sup> Stage	2 <sup>nd</sup> Stage	1 <sup>st</sup> Stage	2 <sup>nd</sup> Stage			
ZHP-462	2	453	200	10,000	7.69	0.29	110	1.50	70
ZHP-464	2	453	200	10,000	7.69	0.29	110	1.50	70