

POWERMATIC®

Mobile Base Instructions

Unpacking

Open shipping container and check that all parts are intact. Report any damage immediately to your distributor.

The small mobile base requires no assembly. The extended mobile base requires minor assembly.

Assembly of Extended Mobile Base

The extended mobile base is shipped with one piece flipped on top of the other. To separate them, place your foot on the lower bar and lift up on the two sides. See Figure 1.

Attach the two pieces with four screws, eight flat washers, and four hex nuts (provided), as shown in Figure 2. A 9/16" wrench is required.

Operation

CAUTION Lock all casters before operating machine.

To lock a swivel caster, press locking lever down with foot (Figure 3). Press opposite end of lever to unlock.

To lock a rigid caster, rotate caster locking knob clockwise (Figure 4).



Figure 1

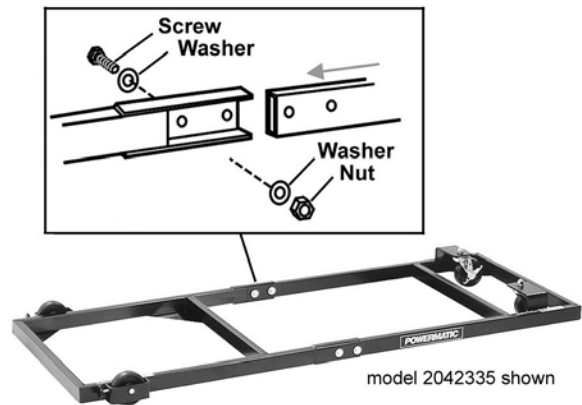


Figure 2

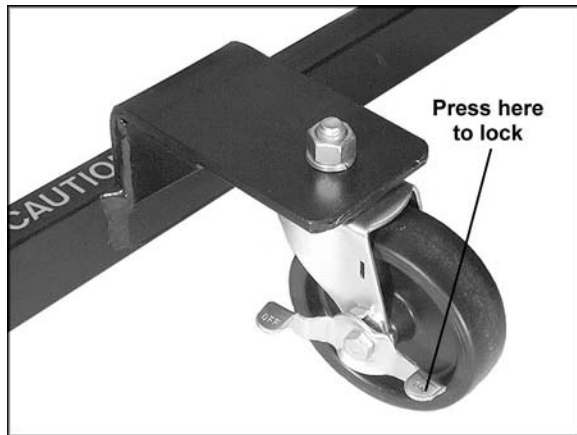


Figure 3

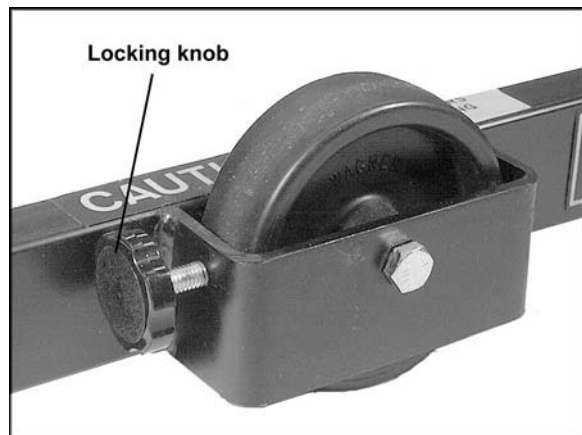
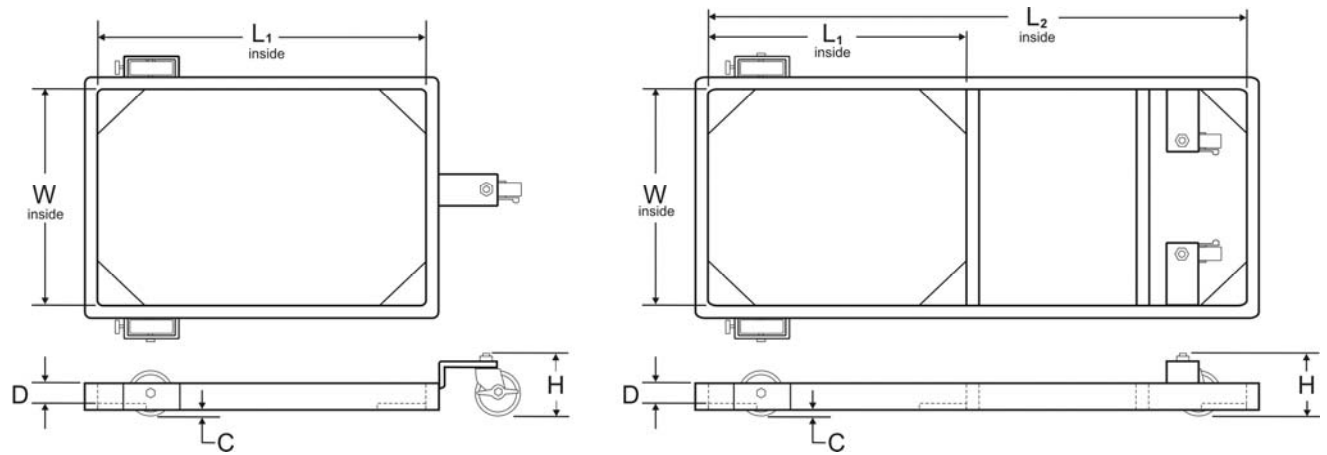


Figure 4

Powermatic Mobile Bases



Stock No.	Designed for:	Length (L ₁)	Length (L ₂)	Width (W)	Height (H)	Depth (D)	Clearance (C)
1610078	Model PJ882 and PJ882HH Jointers	46-1/4"	---	17-1/8"	5-1/2"	2"	3/4"
2042335	Model 66 Table Saw with 50" rail capacity, extended/closed stand	21-1/2"	65"	23-1/2"	6"	2"	3/4"
2042374	Model 54A and 54HH Jointers	24"	---	13-3/4"	5-1/2"	2"	3/4"
2042376	Model 60C and 60HH Jointers	24"	---	14-1/2"	5-1/2"	2"	3/4"
2042377	Model PWBS-14CS Band Saw	17-1/2"	---	15-1/2"	5-1/2"	2"	3/4"

Part Re-orders

To order parts or reach our service department, call 1-800-274-6848, Monday through Friday (see our website for business hours, www.powermatic.com). Having the Model Number and Serial Number of your machine available when you call will allow us to serve you quickly and accurately.

for assembling extended base:

- 6516001 Hex Nut, 3/8-16
- 6716035 Hex Head Screw, 3/8-16 x 1-3/4
- 6861301 Flat Washer, 3/8

for rigid caster:

- 6108003 Rigid Caster
- 6430048 Caster Locking Knob
- 6716040 Hex Head Screw

for swivel caster:

- 6108002 Swivel Caster with Lock
- 6518001 Hex Nut
- 6861500 Lock Washer