

# Operating Instructions

## Series B3000 Spring Driven Hose Reels

Low Pressure Model Numbers:

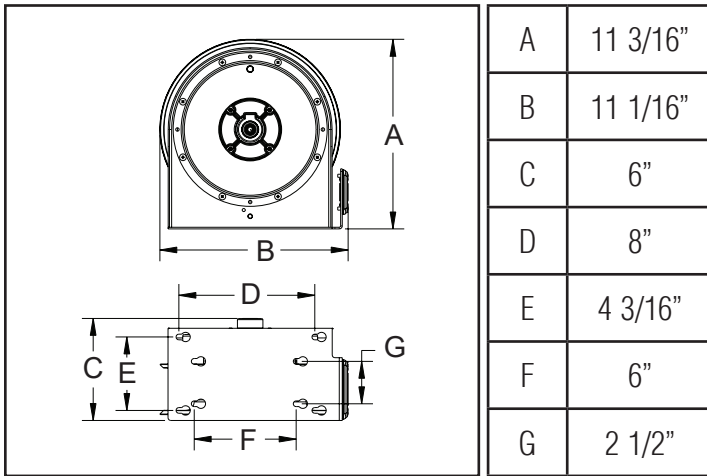
B3415 OLP    B3425 OLP    B3610 OLP    B3620 OLP



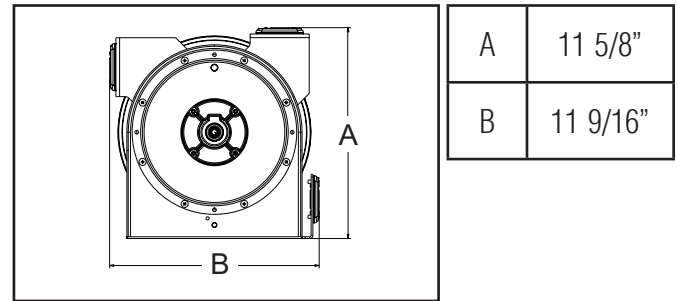
### SAFETY

1. Do not use reel at higher pressures or temperatures than listed on the back of these instructions.
2. Remove all spring tension before beginning disassembly process.

### Dimensions



### Optional Guide Arm Dimensions



### INSTALLATION:

A flexible hose connection must be used between the hose reel inlet and the source of supply to prevent possible misalignment and binding.

### MOUNTING:

The hose reel is equipped with a universal mounting bracket so that it can be mounted under a bench, on the floor, wall or ceiling; whichever place is convenient. The hose guide arm accessory kit (sold separately) can be moved to the position desired by removing two screws fastening the spring case to the reel base. Shift the guide arm bracket so the hose comes off the reel at the desired position and replace the screws. **CAUTION:** Unless reel was specified differently when ordering, maximum installation height is 16 feet.

### LUBRICATION:

Hose reel spring and bearings are factory lubricated and require no further lubrication.

### REPLACING HOSE:

1. Wind spool flange clockwise-facing swivel-until spring is tight.
2. Back off three turns and latch.
3. Insert hose through roller guide.
4. Connect hose fitting to swivel joint and secure hose with u-bolt.

### ADJUSTMENTS:

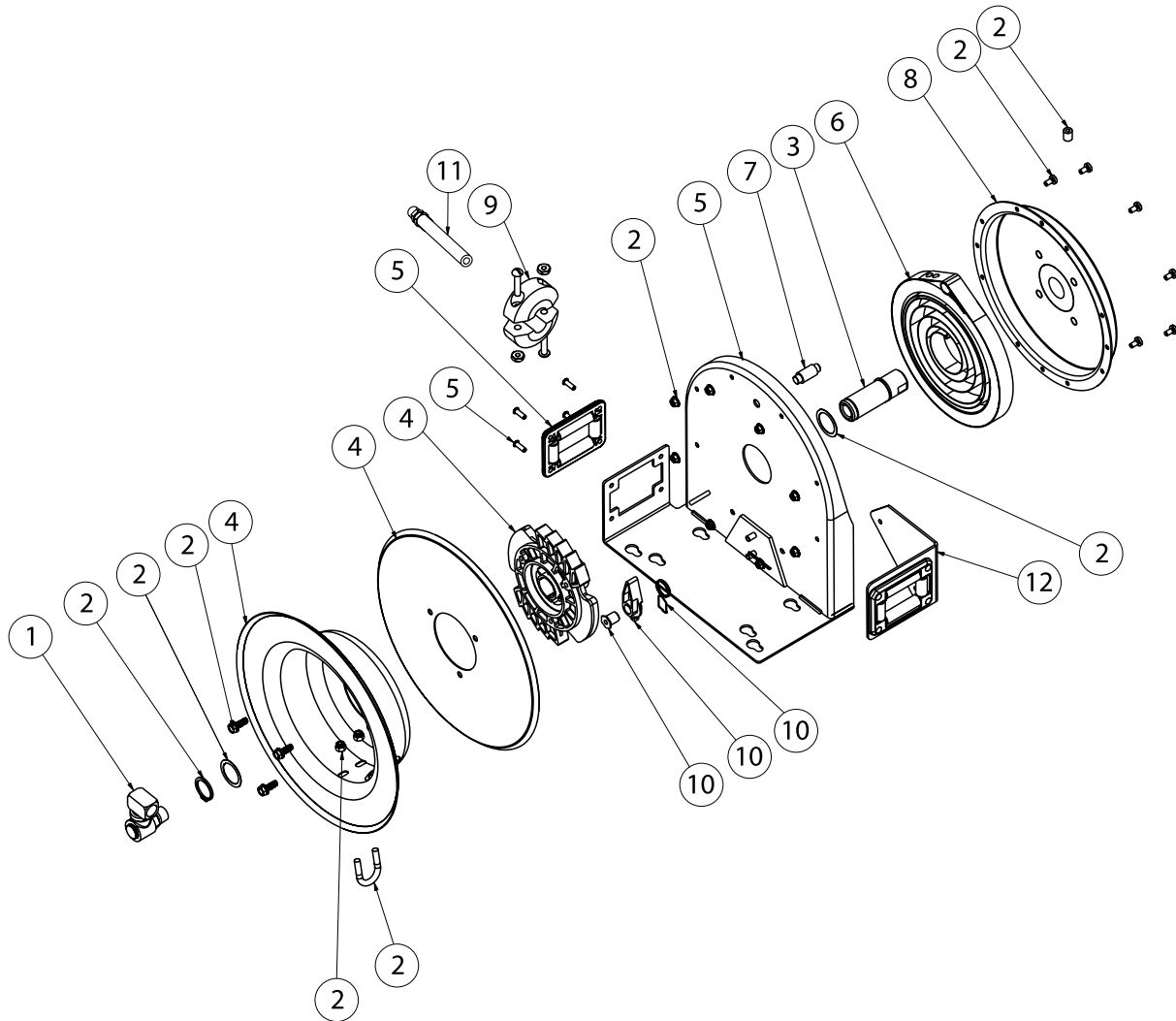
To adjust spring tension, add or remove wraps of hose from the spool, one wrap at a time until desired tension is obtained. Reference the online tech bulletin.

### REPAIRS:

Extensive repairs should be performed only by an authorized mechanic or factory to avoid damage which may void your warranty. Remove all spring tension before beginning disassembly process.

Form# 1307-219 Rev: 10/2019

# Series B3000 Spring Driven Hose Reels



Item #	Description	# Req.	Part #
1	Swivel and elbow assy, 3/8 LP, 3/8 MPT x 3/8 FPT	1	<b>602095</b>
2	Hardware Kit	1	<b>S602806</b>
	Spacing washer 1.005" ID x 1.312" OD x .020" THK	2	
	Snap ring	1	
	Hex washer screw	3	
	Hex lock nut M5	8	
	Machine screw M5 x 10	8	
	Screw set 3/8-16 x 1/2	1	
	Nyloc nut M6	2	
	U-bolt	1	
3	Main shaft with snap ring	1	<b>602305</b>
4	Sheave Assembly	1	<b>S602807</b>
	Sheave flange	1	
	Sheave disc	1	
	Ratchet arbor	1	

Item #	Description	# Req.	Part #
5	Base and roller assembly	1	<b>S602808</b>
	Tube rivet	4	
	Universal roller (2")	1	
	Base weldment assembly	1	
6	Drive spring assembly	1	<b>400030</b>
7	Spring case stud	1	<b>261360</b>
8	Spring case assembly	1	<b>400103</b>
9	Bumper assembly	2	<b>1-HR1004</b>
10	Latch Pawl Assembly	1	<b>S602809</b>
	Latch pin	1	
	Latch pawl	1	
	Torsion spring	1	
11	Hose assembly	1	<b>See below</b>
12	Guide arm assembly w/ hardware (sold separately)	1	<b>S602805</b>

Item #	Description	# Req.	B3415 OLP	B3425 OLP	B3610 OLP	B3620 OLP
11	Hose Assembly	1	<b>601070-15</b>	<b>601070-25</b>	<b>601012-10</b>	<b>601012-20</b>
	Hose I.D. and Length		1/4" x 15'	1/4" x 25'	3/8" x 10'	3/8" x 20'
	Reel Inlet Connection		3/8" NPT(F)	3/8" NPT(F)	3/8" NPT(F)	3/8" NPT(F)
	Hose Outlet Connection		1/4" NPT(M)	1/4" NPT(M)	1/4" NPT(M)	1/4" NPT(M)
	Max. Operating Pressure		300 PSI	300 PSI	300 PSI	300 PSI
	Max. Operating Temperature		150 °F	150 °F	150 °F	150 °F