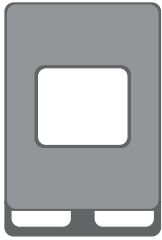
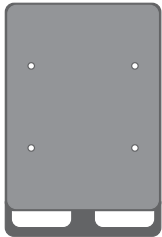


CHECK FOR DESIRED MODEL

**Auto Meter**<sup>®</sup>  
TEST EQUIPMENT



**ES-2** for SB-5, SB-5DT and BVA-34 Testers



**ES-5** for BVA-36, BVA-2000 and XTC-150



**Auto Meter Products Inc.**

413 West Elm Street  
Sycamore, IL 60178

Toll Free (866) 883-TEST (8378)  
Fax (815)-815-895-6786  
[www.autometer.com](http://www.autometer.com)

2650-871X-10  
Rev. F

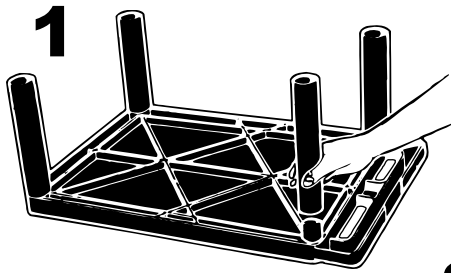


## **ES-Stand** Assembly Instructions

**Models ES-2 and, ES-5**

Before assembly, see the back page to make sure you have the correct model for your equipment.

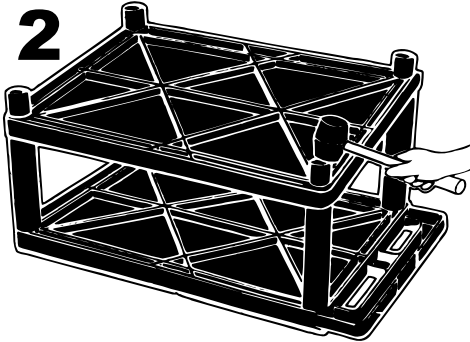
## ASSEMBLY



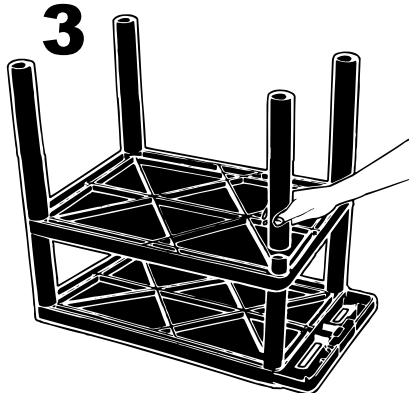
Lay top shelf (with handle), ribbed side up on a smooth surface. Push all 4 legs partially onto the leg posts. There is no need to force them all the way, just make sure each tube is aligned properly.

Position the center shelf with leg posts top and bottom, ribbed side up. Once alignment is sure, use the rubber mallet supplied to hammer center shelf into tubes until all four legs are seated (flush) against the surface of both the top and center shelves.

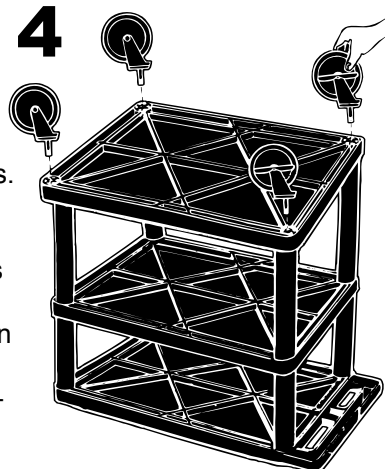
**Note:** Center and bottom shelves differ. The bottom shelf holds the casters and does not have leg posts on both sides.



Push remaining legs onto the second shelf leg posts. Position the bottom shelf (with caster holes and ribbed design up) on top of the four legs. Once alignment is sure, again, use the rubber mallet until all four legs are seated (flush) against the surface of both the bottom and center shelves.



Push the four casters firmly into the holes. Make sure the two casters equipped with brakes are inserted at the same end as the operator's handle. Important: Casters must be fully seated. Tap firmly with the rubber mallet to properly seat caster. Turn your stand right side up and place your Auto Meter tester according to the operation instructions.



2

## SAFETY AND GENERAL OPERATION

**Congratulations** on purchasing an Auto Meter ES-Stand. The ES-Stand comes in three models with the top shelf opening designed for a particular Auto Meter tester or charger.

### WARNING

**For your safety and the safety of others please read the following:**

Improper use of stand can cause it to tip over resulting in risk or injury. Do not allow children under 16 to move stand. Follow these rules:

- Adults only should operate or move the stand.
- Move stand from the narrow operators end by grasping the two handles provided with both hands and firmly rotate, push or pull as desired.
- Set brakes to avoid rolling accidentally.
- Never apply force to the tester to move stand. Use the stand handles.

### OPERATION

Each ES-Stand provides a three shelf assembly made of high impact plastic that is not damaged by battery acid or corrosion. The four casters on each corner allow for easy movement and good stability. Make sure the two brake casters are placed at the operator's end for ease of braking.

**Here are some tips that will help you install your Auto Meter tester.**

- Position the handle of the stand towards you.
- If you are installing a BVA-6 or BVA-36 put the large clamps and cables through the opening and not the second shelf. This is not required with other testers.
- Insert the back of the tester into the opening.
- On models ES-2 and ES-6 adjust tester so that it is sitting at approximately 45 degrees (see example on cover). This is the most convenient angle for proper viewing of the meters.

***If you have any questions please call customer service:  
Toll Free (866) 883-TEST (8378)***

3