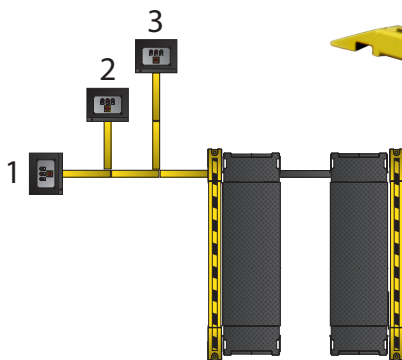


DX77 Double Scissor Lift

Challenger engineered our 7,700 lb. capacity scissor lift with efficiency and productivity in mind. Our DX77 can easily lift all makes and models (within rated capacity) with a synchronized hydraulic system. The DX77 also offers free access all around the lifted vehicle and between platforms, with a cross-member free design providing an uncluttered and hazard-free work area. Choose to mount the DX77 either above ground or flush.



60" (standard length) air and hydraulic hoses allow three ergonomic, recommended power console placement options.



DX77 | Low Profile Double Scissor Lift
7,700 lb. capacity

CL Challenger Lifts

FEATURES & BENEFITS

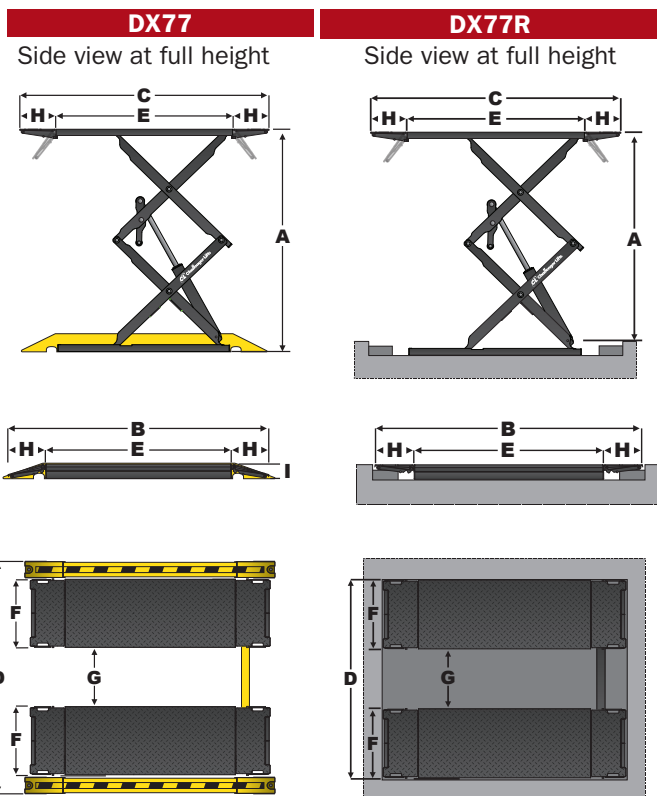
- » 7,700 lb. lifting capacity
- » 74.5" rise height (70" if flush mounted)
- » Reinforced diamond-plate front and rear access ramps are designed to easily flip up and lock to extend the platform load length, which will accommodate longer wheelbase vehicles
- » Double scissor lifting for taller rise allows more overall working clearance
- » Single point air actuated lock release allows ergonomic working
- » Power unit console includes three simple push button controls
- » 3" rubber spotting blocks (set of 4) and 1.5" rubber spotting blocks (set of 4) included
- » Extended ramp kit available for low profile vehicles
- » Powder coat finish provides long-lasting durability
- » Can be mounted above ground or flush
- » Available in red or black

Model Number	DX77	DX77R
Lifting Capacity	7,700 lbs.	
Installation	Standard	Flush Mount
A Rise Height	74.5"	70"
B Overall Length (Lowered)	83.25"	
C Overall Length (Raised)	83.25"	
D Overall Width ¹	82"	69.5"
E Platform Length	59"	
F Platform Width	24.5"	
G Width Between Platforms ²	21 - 27"	
H Ramp Length	11.75"	
I Lowered Height	4.5"	
Motor	2HP, Single Phase, 60Hz	
Voltage	208/220v	
Air Supply Required	90 - 120 psi	
Lifting Time	43 s	
Max Load per Platform	3,850 lbs.	
Colors Available	Black	

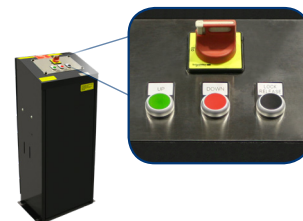
*Lift capacity ratings are based on loads equally distributed on each platform.

¹ Width Between platforms is adjustable between 21" and 27" with standard air lines and hoses. This adjustment will also effect overall width dimensions.

² Measurements are done from floor to top of platform. Lowered height listed above is for surface mount application only.



Independent control console provides convenience and safety.



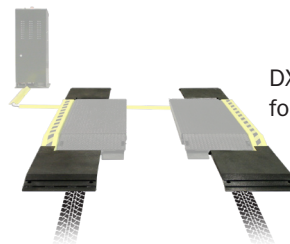
Included Adapters:



3" Rubber spotting blocks (set of 4)

1 1/2" Rubber spotting blocks (set of 4)

Optional Extended Ramps:



DX77-ERK Extended Ramp Kit for lifting low profile vehicles.

For more information, contact your Authorized Challenger Lifts Distributor:

800-648-5438 | 502-625-0700 | Fax: 502-625-0711 | Email: sales@challengerlifts.com
2311 South Park Road | Louisville, KY 40219

