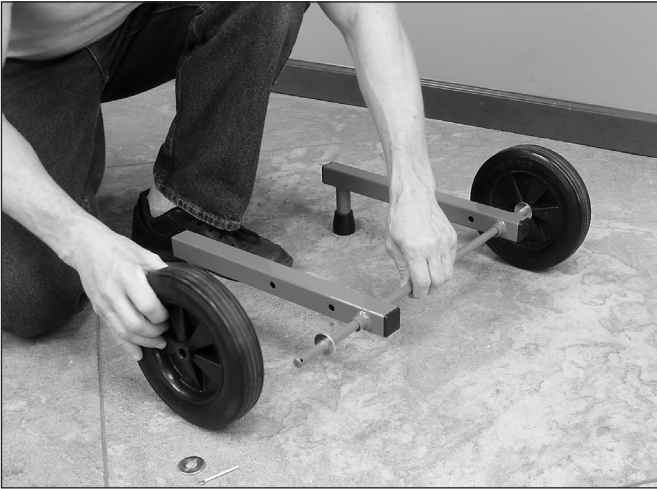


Innovative Paper and Plastic Dispenser™ Assembly Instructions

P/N I-PPD

Patent Pending



Install axle and wheel to Base Legs.



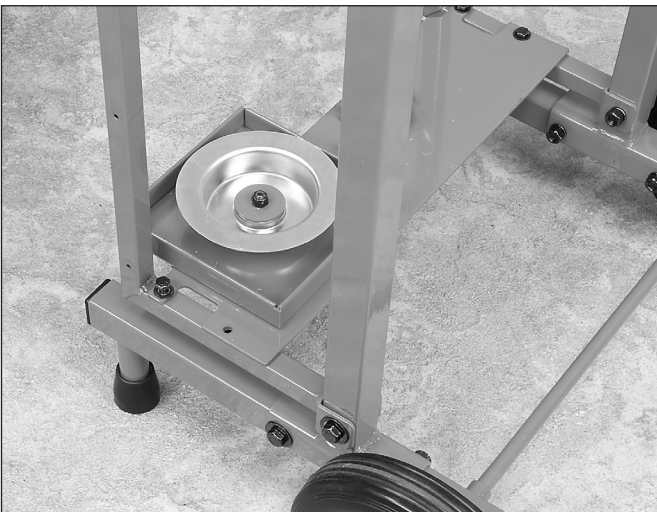
Install Upright Post. **Do not tighten any bolts until final step.**



Install Cross Brace (P/N 500-030).



Install Side Frames (P/N 500-022).



Install Base Plate Assembly (P/N 500-005).

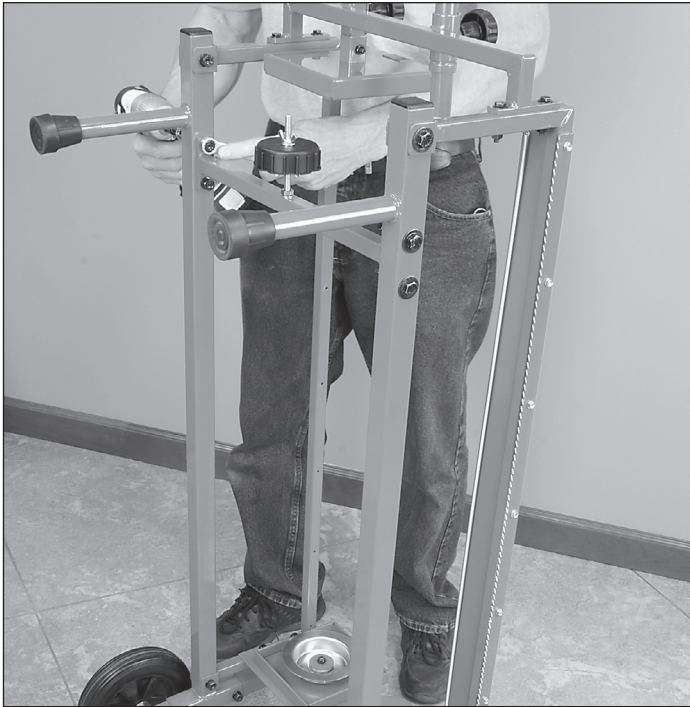


Install Tape Holder (diagram 1) and Upper Cross Brace (P/N 500-017).

Innovative Paper and Plastic Dispenser™ Assembly Instructions

P/N I-PPD

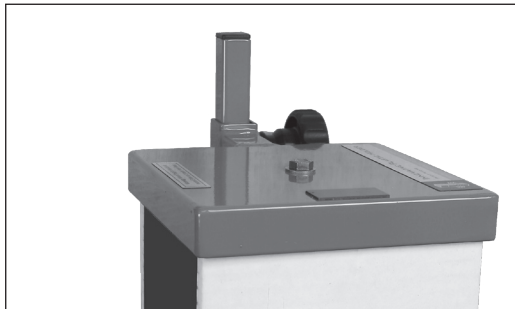
Patent Pending



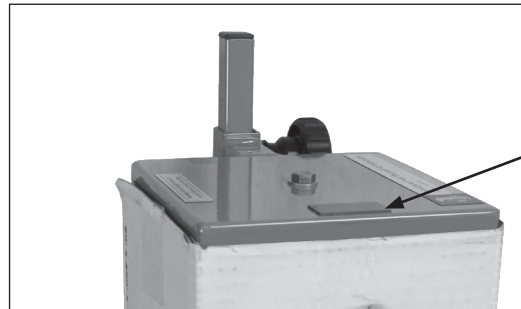
Install Blade assembly, then tighten all bolts while in vertical position (as shown).



Before inserting plastic, cut off top and bottom of box.



Smaller boxes fit inside upper and lower box caps.



Magnetic tape to hold razor blade

Larger boxes fit outside of upper and lower box caps.

Helpful usage hints

1. When installing boxes, use the vertical position.
2. Cut flaps off of box ends before installing into holder.
3. Plastic cuts best with straight razor blade against the factory box.
4. To adjust how easy paper unrolls, use downward pressure on Upper Paper Support (P/N 500-006).

For a demonstration video, please visit: www.InnovativeTools.com

Diagram 1

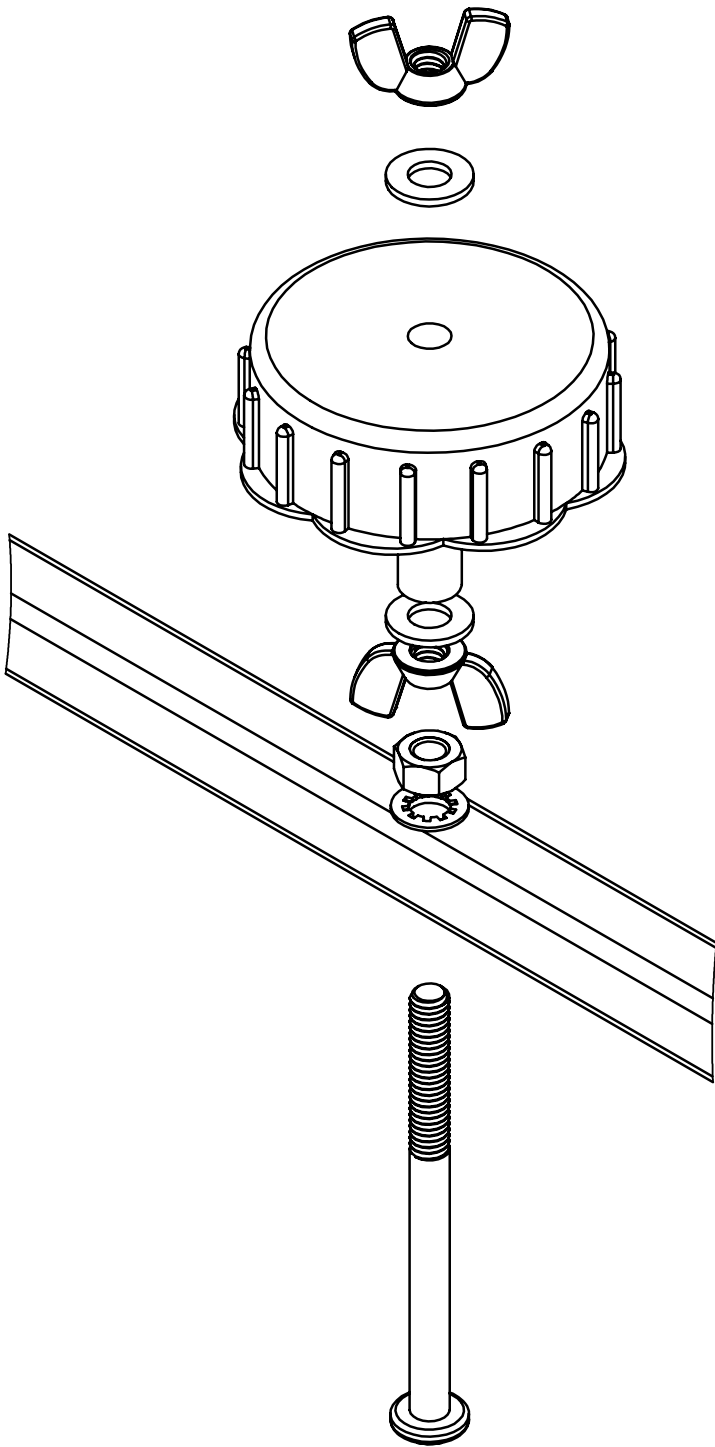
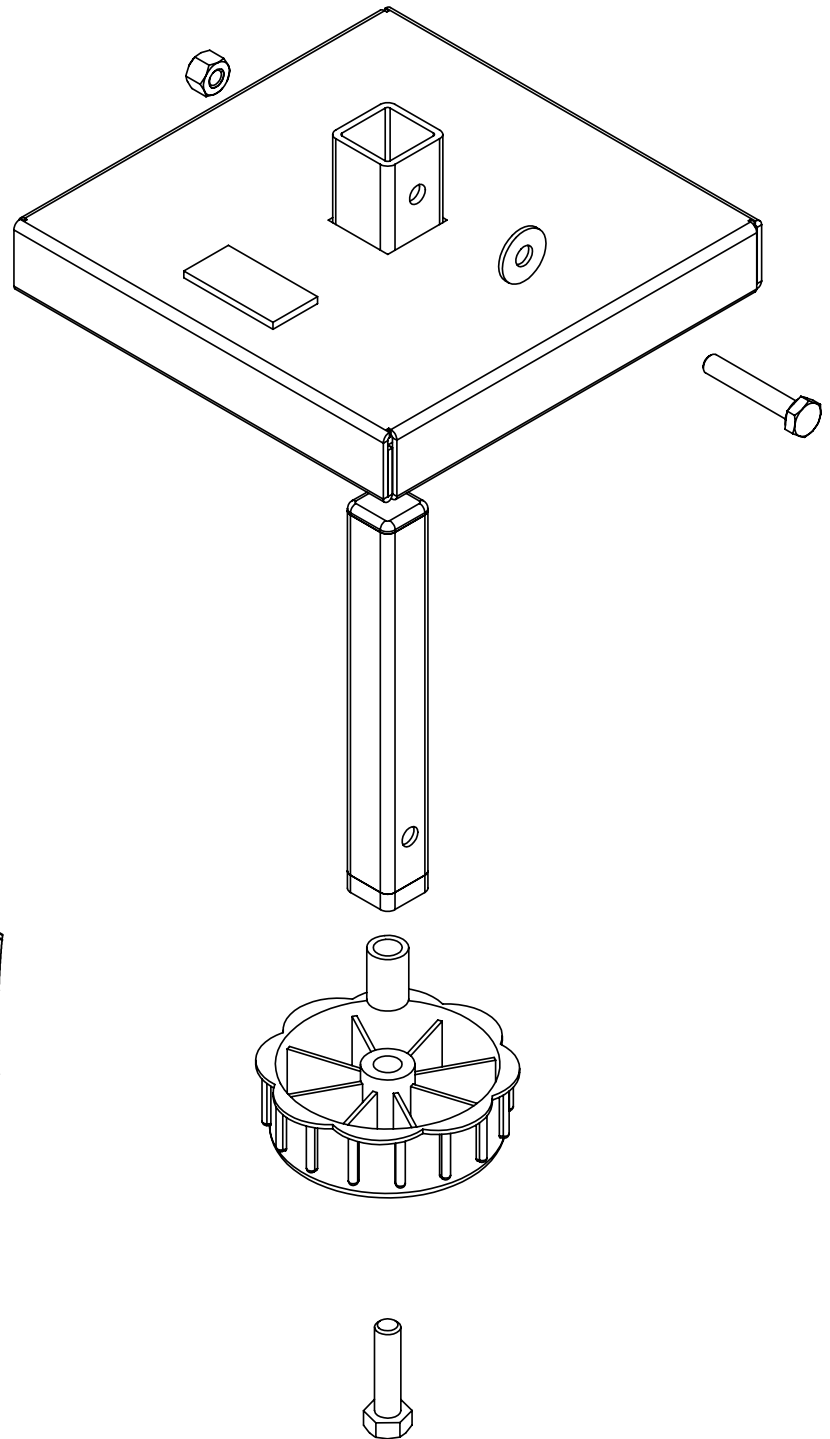
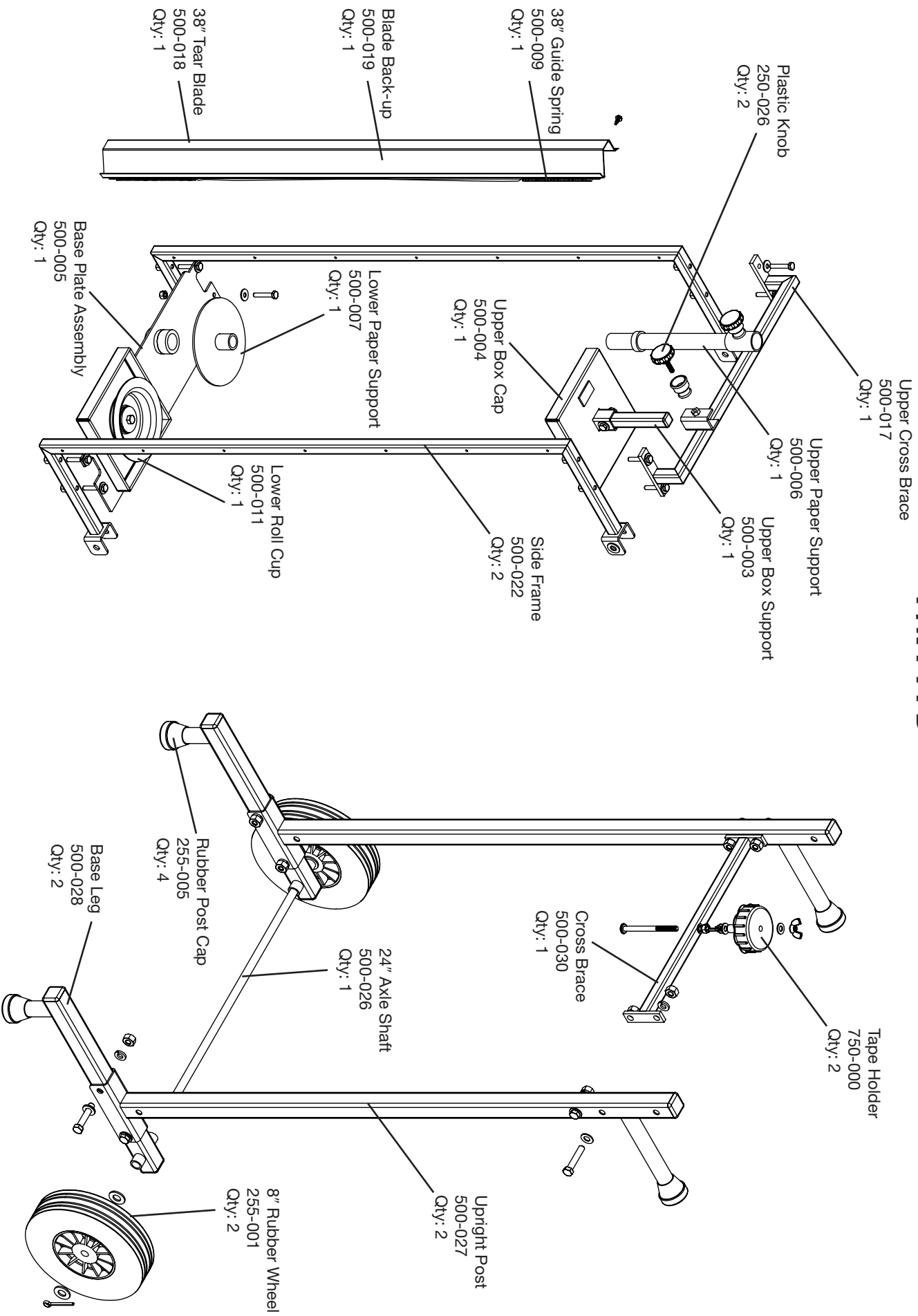


Diagram 2



Innovative Paper and Plastic Dispenser™

P/N I-PPD



If you have any comments, questions or concerns about our products or are missing a part, please contact us toll-free at 1-866-438-4884 or 651-415-0733 or visit www.innovativetools.com/contacts