



OPERATOR'S MANUAL

Wood Working



DUST COLLECTOR MODEL: DC-1450C

Baileigh Industrial
P.O. Box 531
Manitowoc, WI 54221-0531
Phone: 920.684.4990
Fax: 920.684.3944
Baileigh-Sales@jpwindustries.com

REPRODUCTION OF THIS MANUAL IN ANY FORM WITHOUT WRITTEN APPROVAL OF BAILEIGH INDUSTRIAL IS PROHIBITED. Baileigh Industrial, Inc. does not assume and hereby disclaims any liability for any damage or loss caused by an omission or error in this Operator's Manual, resulting from accident, negligence, or other occurrence.



Table of Contents

THANK YOU & WARRANTY	1
INTRODUCTION.....	3
GENERAL NOTES.....	3
SAFETY INSTRUCTIONS	4
SAFETY PRECAUTIONS	6
Dear Valued Customer:	6
TECHNICAL SUPPORT	8
TECHNICAL SPECIFICATIONS.....	9
UNPACKING AND CHECKING CONTENTS	10
TRANSPORTING AND LIFTING	11
INSTALLATION.....	11
CONTENTS OF PACKAGE	12
Hardware Package	14
OVERALL DIMENSION	15
ASSEMBLY AND SET UP	16
ELECTRICAL	22
Power cord connection:	23
ELECTRICAL DIAGRAM	24
REMOTE RESET AND CLEAR FUNCTION.....	25
EXPLODED DIAGRAM.....	26
Part List	27



THANK YOU & WARRANTY

Thank you for your purchase of a machine from Baileigh Industrial. We hope that you find it productive and useful to you for a long time to come.

Inspection & Acceptance. Buyer shall inspect all Goods within ten (10) days after receipt thereof. Buyer's payment shall constitute final acceptance of the Goods and shall act as a waiver of the Buyer's rights to inspect or reject the goods unless otherwise agreed. If Buyer rejects any merchandise, Buyer must first obtain a Returned Goods Authorization ("RGA") number before returning any goods to Seller. Goods returned without an RGA will be refused. Seller will not be responsible for any freight costs, damages to goods, or any other costs or liabilities pertaining to goods returned without a RGA. Seller shall have the right to substitute a conforming tender. Buyer will be responsible for all freight costs to and from Buyer and repackaging costs, if any, if Buyer refuses to accept shipment. If Goods are returned in unsalable condition, Buyer shall be responsible for full value of the Goods. Buyer may not return any special-order Goods. Any Goods returned hereunder shall be subject to a restocking fee equal to 30% of the invoice price.

Specifications. Seller may, at its option, make changes in the designs, specifications or components of the Goods to improve the safety of such Goods, or if in Seller's judgment, such changes will be beneficial to their operation or use. Buyer may not make any changes in the specifications for the Goods unless Seller approves of such changes in writing, in which event Seller may impose additional charges to implement such changes.

Limited Warranty. Seller warrants to the original end-user that the Goods manufactured or provided by Seller under this Agreement shall be free of defects in material or workmanship for a period of twelve (12) months from the date of purchase, provided that the Goods are installed, used, and maintained in accordance with any instruction manual or technical guidelines provided by the Seller or supplied with the Goods, if applicable. The original end-user must give written notice to Seller of any suspected defect in the Goods prior to the expiration of the warranty period. The original end-user must also obtain a RGA from Seller prior to returning any Goods to Seller for warranty service under this paragraph. Seller will not accept any responsibility for Goods returned without a RGA. The original end-user shall be responsible for all costs and expenses associated with returning the Goods to Seller for warranty service. In the event of a defect, Seller, at its sole option, shall repair or replace the defective Goods or refund to the original end-user the purchase price for such defective Goods. Goods are not eligible for replacement or return after a period of 10 days from date of receipt. The foregoing warranty is Seller's sole obligation, and the original end-user's exclusive remedy, with regard to any defective Goods. This limited warranty does not apply to: (a) die sets, tooling, and saw blades; (b) periodic or routine maintenance and setup, (c) repair or replacement of the Goods due to normal wear and tear, (d) defects or damage to the Goods resulting from misuse, abuse, neglect, or accidents, (e) defects or damage to the Goods resulting from improper or unauthorized alterations, modifications, or changes; and (f) any Goods that has not been installed and/or maintained in accordance with the instruction manual or technical guidelines provided by Seller.

EXCLUSION OF OTHER WARRANTIES. THE FOREGOING LIMITED WARRANTY IS IN LIEU OF ALL OTHER WARRANTIES, EXPRESS OR IMPLIED. ANY AND ALL OTHER EXPRESS, STATUTORY OR IMPLIED WARRANTIES, INCLUDING BUT NOT LIMITED TO, ANY WARRANTY OF MERCHANTABILITY OR FITNESS FOR ANY PARTICULAR PURPOSE ARE EXPRESSLY DISCLAIMED. NO WARRANTY IS MADE WHICH EXTENDS BEYOND THAT WHICH IS EXPRESSLY CONTAINED HEREIN.

Limitation of Liability. IN NO EVENT SHALL SELLER BE LIABLE TO BUYER OR ANY OTHER PARTY FOR ANY INCIDENTAL, CONSEQUENTIAL OR SPECIAL DAMAGES (INCLUDING, WITHOUT LIMITATION, LOST PROFITS OR DOWN TIME) ARISING FROM OR IN MANNER CONNECTED WITH THE GOODS, ANY BREACH BY SELLER OR ITS AGENTS OF THIS AGREEMENT, OR ANY OTHER CAUSE WHATSOEVER, WHETHER BASED ON CONTRACT, TORT OR ANY OTHER THEORY OF LIABILITY. BUYER'S REMEDY WITH RESPECT TO ANY CLAIM ARISING UNDER THIS AGREEMENT IS STRICTLY LIMITED TO NO MORE THAN THE AMOUNT PAID BY THE BUYER FOR THE GOODS.



Force Majeure. Seller shall not be responsible for any delay in the delivery of, or failure to deliver, Goods due to causes beyond Seller's reasonable control including, without limitation, acts of God, acts of war or terrorism, enemy actions, hostilities, strikes, labor difficulties, embargoes, non-delivery or late delivery of materials, parts and equipment or transportation delays not caused by the fault of Seller, delays caused by civil authorities, governmental regulations or orders, fire, lightening, natural disasters or any other cause beyond Seller's reasonable control. In the event of any such delay, performance will be postponed by such length of time as may be reasonably necessary to compensate for the delay.

Installation. If Buyer purchases any Goods that require installation, Buyer shall, at its expense, make all arrangements and connections necessary to install and operate the Goods. Buyer shall install the Goods in accordance with any Seller instructions and shall indemnify Seller against any and all damages, demands, suits, causes of action, claims and expenses (including actual attorneys' fees and costs) arising directly or indirectly out of Buyer's failure to properly install the Goods.

Work By Others; Safety Devices. Unless agreed to in writing by Seller, Seller has no responsibility for labor or work performed by Buyer or others, of any nature, relating to design, manufacture, fabrication, use, installation or provision of Goods. Buyer is solely responsible for furnishing and requiring its employees and customers to use all safety devices, guards and safe operating procedures required by law and/or as set forth in manuals and instruction sheets furnished by Seller. Buyer is responsible for consulting all operator manuals, ANSI or comparable safety standards, OSHA regulations and other sources of safety standards and regulations applicable to the use and operation of the Goods.

Remedies. Each of the rights and remedies of Seller under this Agreement is cumulative and in addition to any other or further remedies provided under this Agreement or at law or equity.

Attorney's Fees. In the event legal action is necessary to recover monies due from Buyer or to enforce any provision of this Agreement, Buyer shall be liable to Seller for all costs and expenses associated therewith, including Seller's actual attorney fees and costs.

Governing Law/Venue. This Agreement shall be construed and governed under the laws of the State of Wisconsin, without application of conflict of law principles. Each party agrees that all actions or proceedings arising out of or in connection with this Agreement shall be commenced, tried, and litigated only in the state courts sitting in Manitowoc County, Wisconsin or the U.S. Federal Court for the Eastern District of Wisconsin. Each party waives any right it may have to assert the doctrine of "forum non conveniens" or to object to venue to the extent that any proceeding is brought in accordance with this section. Each party consents to and waives any objection to the exercise of personal jurisdiction over it by courts described in this section. Each party waives to the fullest extent permitted by applicable law the right to a trial by jury.

Summary of Return Policy.

- 10 Day acceptance period from date of delivery. Damage claims and order discrepancies will not be accepted after this time.
- You must obtain a Baileigh issued RGA number PRIOR to returning any materials.
- Returned materials must be received at Baileigh in new condition and in original packaging.
- Altered items are not eligible for return.
- Buyer is responsible for all shipping charges.
- A 30% re-stocking fee applies to all returns.

Baileigh Industrial makes every effort to ensure that our posted specifications, images, pricing and product availability are as correct and timely as possible. We apologize for any discrepancies that may occur. Baileigh Industrial reserves the right to make any and all changes deemed necessary in the course of business including but not limited to pricing, product specifications, quantities, and product availability.

For Customer Service & Technical Support:

Please contact one of our knowledgeable Sales and Service team members at:
(920) 684-4990 or e-mail us at Baileigh-Service@jpwindustries.com



INTRODUCTION

The quality and reliability of the components assembled on a Baileigh Industrial machine guarantee near perfect functioning, free from problems, even under the most demanding working conditions. However, if a situation arises, refer to the manual first. If a solution cannot be found, contact the distributor where you purchased our product. Make sure you have the serial number and production year of the machine (stamped on the nameplate). For replacement parts refer to the assembly numbers on the parts list drawings.

Our technical staff will do their best to help you get your machine back in working order.

In this manual you will find: (when applicable)

- Safety procedures
- Correct installation guidelines
- Description of the functional parts of the machine
- Capacity charts
- Setup and start-up instructions
- Machine operation
- Scheduled maintenance
- Parts lists

GENERAL NOTES

After receiving your equipment remove the protective container. Do a complete visual inspection, and if damage is noted, **photograph it for insurance claims** and contact your carrier at once, requesting inspection. Also contact Baileigh Industrial and inform them of the unexpected occurrence. Temporarily suspend installation.

Take necessary precautions while loading / unloading or moving the machine to avoid any injuries.

Your machine is designed and manufactured to work smoothly and efficiently. Following proper maintenance instructions will help ensure this. Try and use original spare parts, whenever possible, and most importantly; **DO NOT** overload the machine or make any modifications.



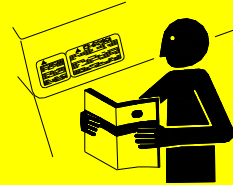
Note: This symbol refers to useful information throughout the manual.



IMPORTANT

PLEASE READ THIS OPERATORS MANUAL CAREFULLY

It contains important safety information, instructions, and necessary operating procedures. The continual observance of these procedures will help increase your production and extend the life of the equipment.



SAFETY INSTRUCTIONS

LEARN TO RECOGNIZE SAFETY INFORMATION

This is the safety alert symbol. When you see this symbol on your machine or in this manual, **BE ALERT TO THE POTENTIAL FOR PERSONAL INJURY!**



Follow recommended precautions and safe operating practices.

UNDERSTAND SIGNAL WORDS

A signal word – **DANGER**, **WARNING**, or **CAUTION** – is used with the safety alert symbol. **NOTICE**, which is not related to personal injury, is used without a symbol.

DANGER: Indicates a hazardous situation which, if not avoided, will result in death or serious injury.

WARNING: Indicates a hazardous situation which, if not avoided, could result in death or serious injury.

CAUTION: Indicates a hazardous situation which, if not avoided, could result in minor or moderate injury.

NOTICE: Indicates a situation which, if not avoided, could result in property damage.

DANGER

WARNING

CAUTION

NOTICE

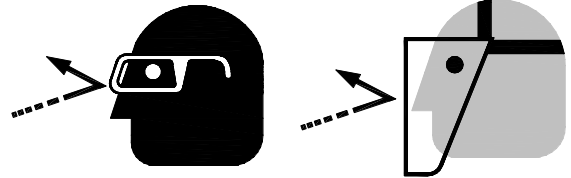


SAVE THESE INSTRUCTIONS.
Refer to them often and use them to instruct others.



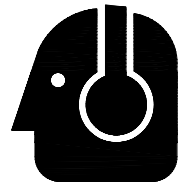
PROTECT EYES

Wear safety glasses or suitable eye protection when working on or around machinery.



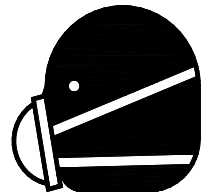
PROTECT AGAINST NOISE

Prolonged exposure to loud noise can cause impairment or loss of hearing. Wear suitable hearing protective devices such as ear muffs or earplugs to protect against objectionable or uncomfortable loud noises.



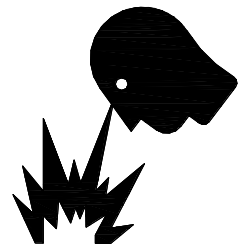
DUST HAZARD

Wear appropriate dust mask. Dust created while using machinery can cause cancer, birth defects, and long term respiratory damage. Be aware of the dust hazards associated with all types of materials.



DUST PARTICLES AND IGNITION SOURCES

DO NOT operate the table saw in areas where explosion risks are high. Such areas include locations near pilot lights, open flames, or other ignition sources.



HIGH VOLTAGE

USE CAUTION IN HIGH VOLTAGE AREAS. DO NOT assume the power to be off.
FOLLOW PROPER LOCKOUT PROCEDURES.





EMERGENCY STOP BUTTON

In the event of incorrect operation or dangerous conditions, the machine can be stopped immediately by pressing the **E-STOP** button. Twist the emergency stop button clockwise (cw) to reset.

Note: Resetting the E-Stop will not start the machine.



CALIFORNIA PROPOSITION 65

WARNING: Cancer and Reproductive Harm.
www.P65Warnings.ca.gov



SAFETY PRECAUTIONS



Wood working can be dangerous if safe and proper operating procedures are not followed. As with all machinery, there are certain hazards involved with the operation of the product. Using the machine with respect and caution will considerably lessen the possibility of personal injury. However, if normal safety precautions are overlooked or ignored, personal injury to the operator may result.

Safety equipment such as guards, push sticks, hold-downs, feather boards, goggles, dust masks and hearing protection can reduce your potential for injury. But even the best guard won't make up for poor judgment, carelessness or inattention. **Always use common sense** and exercise **caution** in the workshop. If a procedure feels dangerous, don't try it.

REMEMBER: Your personal safety is your responsibility.



WARNING: FAILURE TO FOLLOW THESE RULES MAY RESULT IN SERIOUS PERSONAL INJURY

Dear Valued Customer:

- All Baileigh woodworking machines should be used only for their intended use.
- Baileigh does not recommend or endorse making any modifications or alterations to a Baileigh machine. Modifications or alterations to a machine may pose a substantial risk of injury to the operator or others and may do substantial damage to the machine.
- Any modifications or alterations to a Baileigh machine will invalidate the machine's warranty.



Please enjoy your Baileigh machine!Please enjoy it SAFELY!

1. **FOR YOUR OWN SAFETY, READ INSTRUCTION MANUAL BEFORE OPERATING THE MACHINE.** Learn the machine's application and limitations as well as the specific hazards.
2. **Only trained and qualified personnel should operate this machine.**
3. **Make sure guards are in place and in proper working order before operating machinery.**
4. **Remove any adjusting tools.** Before operating the machine, make sure any adjusting tools have been removed.
5. **Keep work area clean.** Cluttered areas invite injuries.
6. **Overloading machine.** By overloading the machine you may cause injury from flying parts. **DO NOT** exceed the specified machine capacities.
7. **Dress appropriate. DO NOT** wear loose fitting clothing or jewelry as they can be caught in moving machine parts. Protective clothing and steel toe shoes are recommended when using machinery. Wear a restrictive hair covering to contain long hair.
8. **Use eye and ear protection.** Always wear ISO approved impact safety goggles
9. **Do not overreach.** Maintain proper footing and balance at all times. **DO NOT** reach over or across a running machine.
10. **Stay alert.** Watch what you are doing and use common sense. **DO NOT** operate any tool or machine when you are tired.
11. Check for damaged parts. Before using any tool or machine, carefully check any part that appears damaged. Check for binding of moving parts that may affect proper machine operation.
12. Observe work area conditions. **DO NOT** use machines or power tools in damp or wet locations. Do not expose to rain. Keep work area well lighted. **DO NOT** use electrically powered tools in the presence of flammable gases or liquids.
13. **DO NOT** bypass or defeat any safety interlock systems.
14. Know the location of the ON - OFF switch and the "E"- STOP button.
15. Keep visitors a safe distance from the work area.
16. Keep children away. Children must never be allowed in the work area. **DO NOT** let them handle machines, tools, or extension cords.
17. **DO NOT** operate machine if under the influence of alcohol or drugs. Read warning labels on prescriptions. If there is any doubt, **DO NOT** operate the machine.
18. Be Sure all equipment is properly installed and grounded according to national, state, and local codes. If machine is equipped with a three-prong plug, it should be plugged into a three-hole electrical receptacle. If an adapter is used to accommodate a two-prong receptacle, the adapter plug must be attached to a known ground. Never remove the third prong.



19. DO NOT touch live electrical components or parts.
20. Inspect power and control cables periodically. Replace if damaged or bare wires are exposed. Bare wiring can kill!
21. Maintain machine in top condition. Keep clean for best and safest performance. Follow instructions for lubricating and changing accessories.
22. Reduce the risk of unintentional starting. Make sure switch is in "OFF" position before plugging in power cord.
23. Never leave machine running unattended. TURN POWER OFF. Don't leave machine until it comes to a complete stop.
24. Make sure machine is disconnected from power supply while motor is being mounted, connected or reconnected.
25. **Warning:** The dust generated by certain woods and wood products can be injurious to your health. Always operate machinery in well-ventilated areas and provide for proper dust removal. Use wood dust collection systems whenever possible.

TECHNICAL SUPPORT

Our technical support department can be reached at 920.684.4990 and asking for the support desk for purchased machines. Tech Support handles questions on machine setup, schematics, warranty issues, and individual parts needs: (other than die sets and blades).

For specific application needs or future machine purchases contact the Sales Department at: sales@baileigh.com, Phone: 920.684.4990, or Fax: 920.684.3944.



Note: *The photos and illustrations used in this manual are representative only and may not depict the actual color, labeling or accessories and may be intended to illustrate technique only.*



Note: *The specifications and dimensions presented here are subject to change without prior notice due to improvements of our products.*

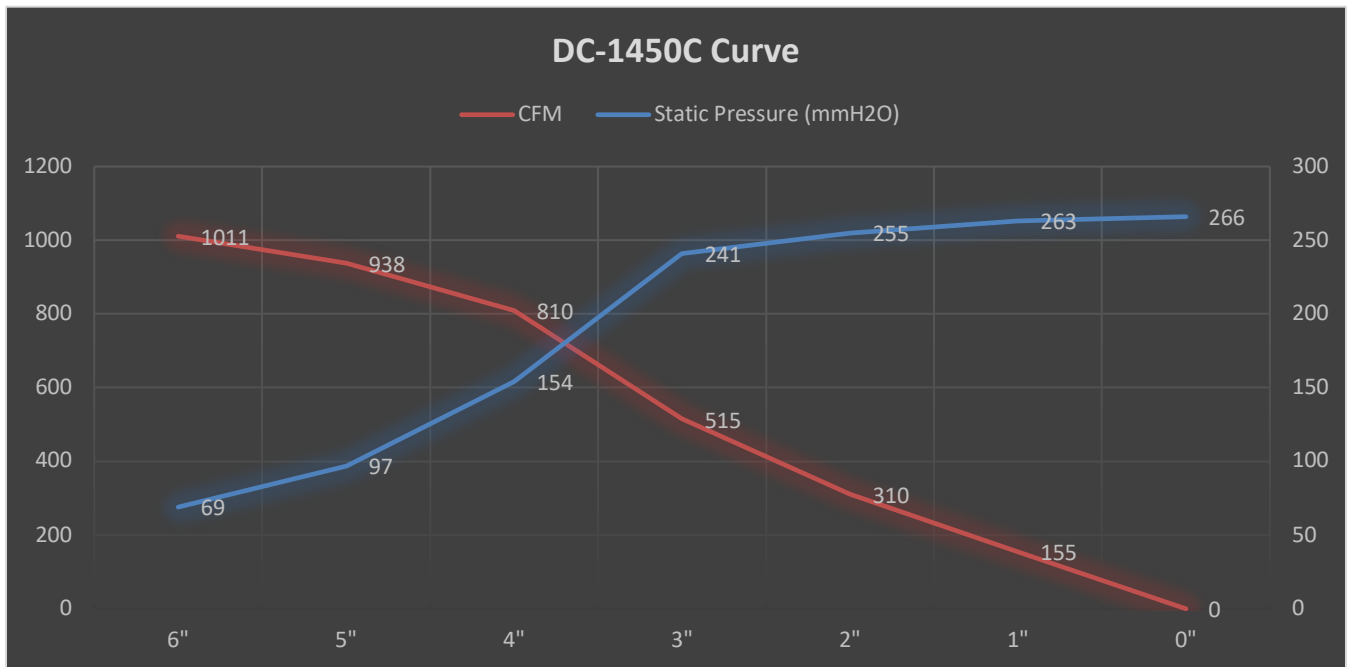


TECHNICAL SPECIFICATIONS

Motor	2 HP (1.5kw)
Power	220V / 60hz / 12A
Motor Speed	3450 RPM
Suction Capacity	1450 CFM
Noise Rating (reference only)	76dBs
Impeller Size	14.5" (368mm)
Inlet Size	6" x 4" x 2" (152 x 102 x 51mm)
Switch	Magnetic
Assembled Dimensions	47.83" x 26.77" x 68.70" (1215 x 680 x 1745mm)
Shipping Dimensions	44.8" x 28.3" x 36.6" (1140 x 720 x 930mm)
Net Weight	190lbs (86.3KGS)
Shipping Weight	218lbs (99KGS)

Fan Curve

Inlet Diameter of Tube (IN)	6"	5"	4"	3"	2"	1"	0"
Static Pressure (mmH2O)	69	97	154	241	255	263	266
CFM	1011	938	810	515	310	155	0





UNPACKING AND CHECKING CONTENTS

Your Baileigh machine is shipped complete. Separate all parts from the packing material and check each item carefully. Make certain all items are accounted for before discarding any packing material.

⚠ WARNING: SUFFOCATION HAZARD! Immediately discard any plastic bags and packing materials to eliminate choking and suffocation hazards to children and animals.
If any parts are missing, **DO NOT** place the machine into service until the missing parts are obtained and installed correctly.

Cleaning

⚠ WARNING: DO NOT USE gasoline or other petroleum products to clean the machine. They have low flash points and can explode or cause fire.

⚠ CAUTION: When using cleaning solvents work in a well-ventilated area. Many cleaning solvents are toxic if inhaled.

Your machine may be shipped with a rustproof waxy coating and/or grease on the exposed unpainted metal surfaces. Fully and completely remove this protective coating using a degreaser or solvent cleaner. Moving items will need to be moved along their travel path to allow for cleaning the entire surface. For a more thorough cleaning, some parts will occasionally have to be removed. **DO NOT USE** acetone or brake cleaner as they may damage painted surfaces.

Follow manufacturer's label instructions when using any type of cleaning product. After cleaning, wipe unpainted metal surfaces with a light coating of quality oil or grease for protection.



Important: This waxy coating is **NOT** a lubricant and will cause the machine to stick and lose performance as the coating continues to dry.



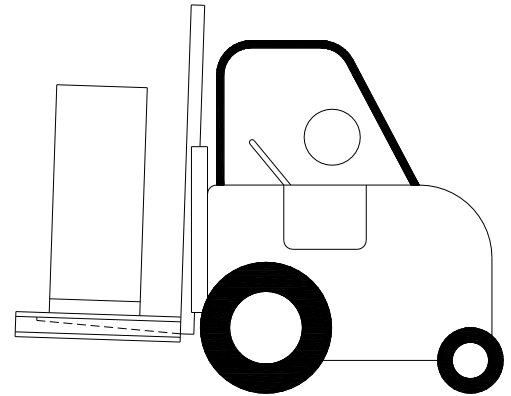


TRANSPORTING AND LIFTING

NOTICE: *Lifting and carrying operations should be carried out by skilled workers, such as a truck operator, crane operator, etc. If a crane is used to lift the machine, attach the lifting chain carefully, making sure the machine is well balanced.*

Follow these guidelines when lifting with truck or trolley:

- The lift truck must be able to lift at least 1.5 – 2 times the machines gross weight.
- Make sure the machine is balanced. While transporting, avoid rough or jerky motion, and maintain a safe clearance zone around the transport area.
- Use a fork lift with sufficient lifting capacity and forks that are long enough to reach the complete width of the machine.
- Remove the securing bolts that attach the machine to the pallet.
- Approaching the machine from the side, lift the machine on the frame taking care that there are no cables or pipes in the area of the forks.
- Move the machine to the required position and lower gently to the floor.
- Level the machine so that all the supporting feet are taking the weight of the machine and no rocking is taking place.



INSTALLATION

IMPORTANT:

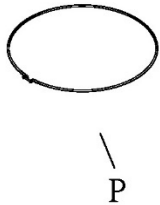
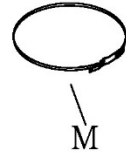
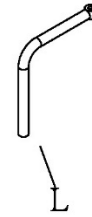
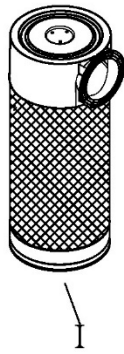
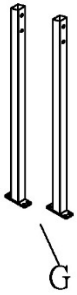
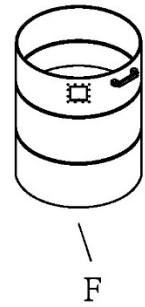
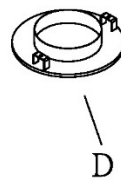
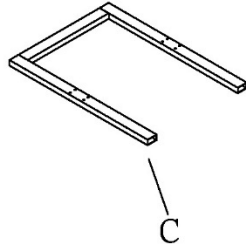
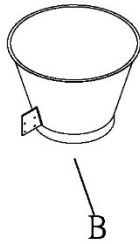
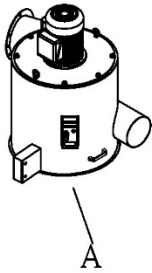
Consider the following when looking for a suitable location to place the machine:

- Overall weight of the machine including when filters are full.
- Clearance from walls and other obstacles.
- Maintain an adequate working area around the machine for safety.
- Have the work area well illuminated with proper lighting.
- Keep the floor free of oil and make sure it is not slippery.
- Remove scrap and waste materials regularly, and make sure the work area is free from obstructing objects.
- It is important to maintain free area around the machine, which is required for regular maintenance.



- **LEVELING:** The machine should be sited on a level, concrete floor. Provisions for securing it should be in position to prevent the machine from moving inadvertently.
- **POWER SUPPLY PLACEMENT:** The power supply should be located close enough to the machine so that the power cord is not in an area where it would cause a tripping hazard. Be sure to observe all electrical codes if installing new circuits and/or outlets.

CONTENTS OF PACKAGE

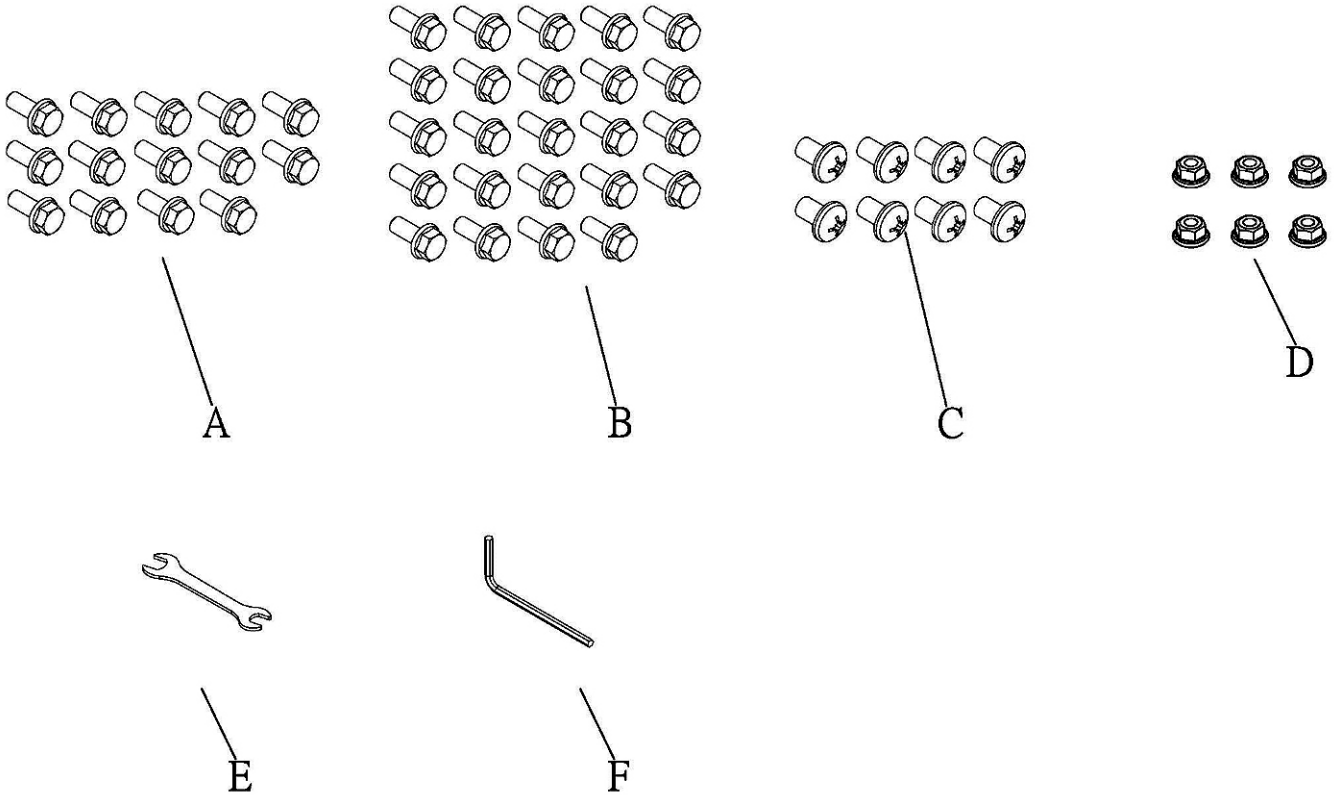




Item	Description	Qty.	Part List No.
A	Main Housing Assembly	1	NO.16v1
B	Cone	1	NO.33
C	Base	1	NO.25
D	Drum Lid	1	NO.40
E	Quick Handle	2	NO.34
F	Drum	1	NO.48V1
G	Stand	2	NO.22
H	Hose	1	NO.39
I	Canister Filter	1	NO.55v2
J	Hose Clamp	2	NO.38
K	Inlet Adaptor	1	NO.18
L	Handle	1	NO.68V1
M	Canister Filter Support Bag Clamp	1	NO.53
N	Drum Wheel	4	NO.47
O	Base Wheel	4	NO.24
P	Cone Clamp	1	NO.31
Q	PE Bag	2	NO.52, 87
R	Inner Frame	1	NO.88 ~ 92
S	Foam	2	NO.37
T	Foam	1	NO.54
U	Gasket	1	NO.96



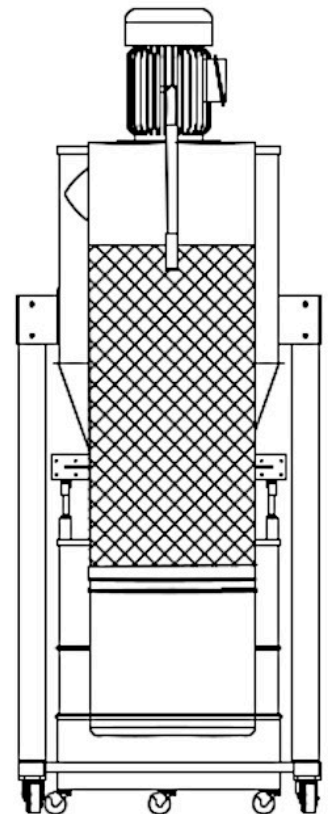
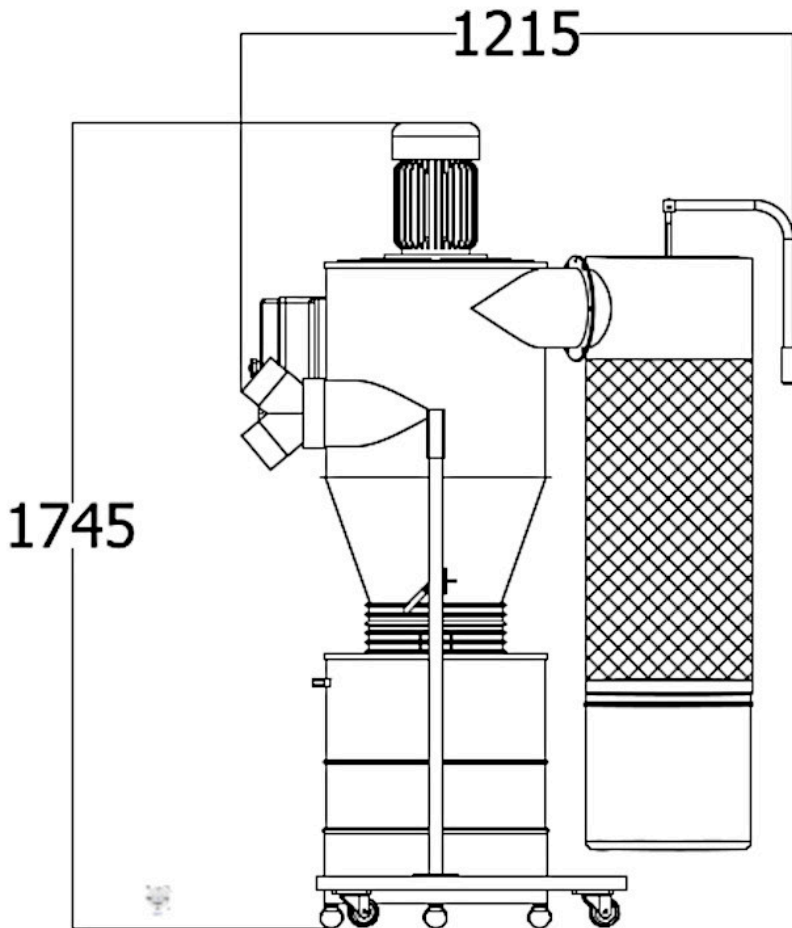
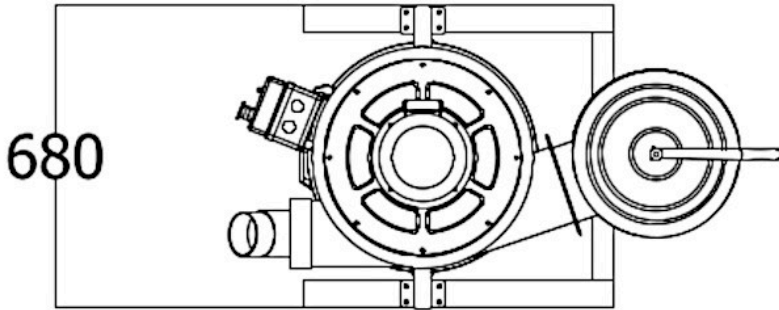
Hardware Package



Item	Description	Specification	Qty.	Part List No.
A	Flange Bolt Screw	5/16" x 3/4"	14	NO.8
B	Flange Bolt Screw	5/16" x 1/2"	24	NO.21
C	Phillips Head Screw	M5 x 8	8	NO.35
D	Nut	5/16"	6	NO.95
E	Open Wrench	10 x 12mm	1	NO.51
F	Allen Wrench	4mm	1	NO.49



OVERALL DIMENSION



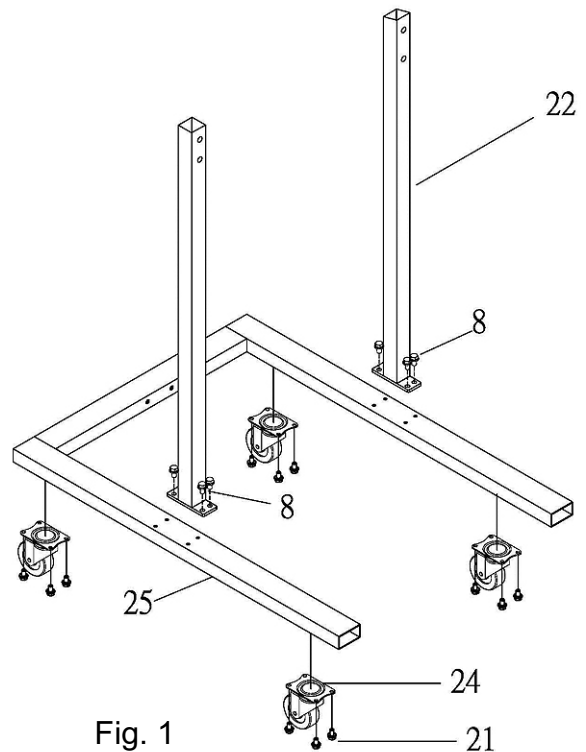


ASSEMBLY AND SET UP



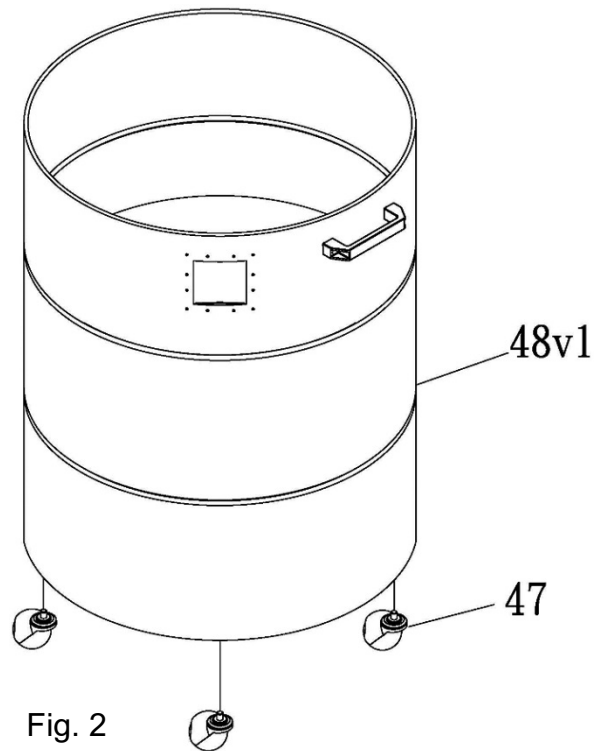
WARNING: For your own safety, **DO NOT** connect the machine to the power source until the machine is completely assembled and you read and understand the entire instruction manual.

1. Secure the Base (NO.25) and Base Wheels (NO.24) with 5/16" x 1/2" Flange bolt Screw (No.21). See FIG. 1
2. Place and secure the Stand (No.22) with 5/16" x 3/4" Flange Bolt Screw (No.8) as FIG. 1.



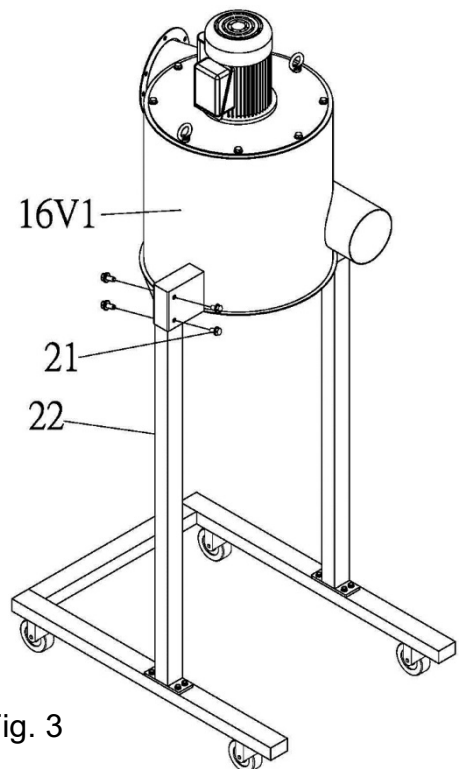


3. Tighten the Wheels (NO.47) under the collecting drum (NO.48V1) into the thread nuts. See FIG. 2



4. Using an assistant, lift up the main housing (NO.16V1) then place on the stand (NO.22). Using the Flange bolt (NO.21) to tight together. See (FIG.3)

⚠ CAUTION: The main housing set is heavy, have at least 2 people work together when lifting.





5. Place the main housing (NO.16V1) and reducing housing (NO.33) and secure with clamp (NO.31) and hex screw (NO.32). See (FIG.4)

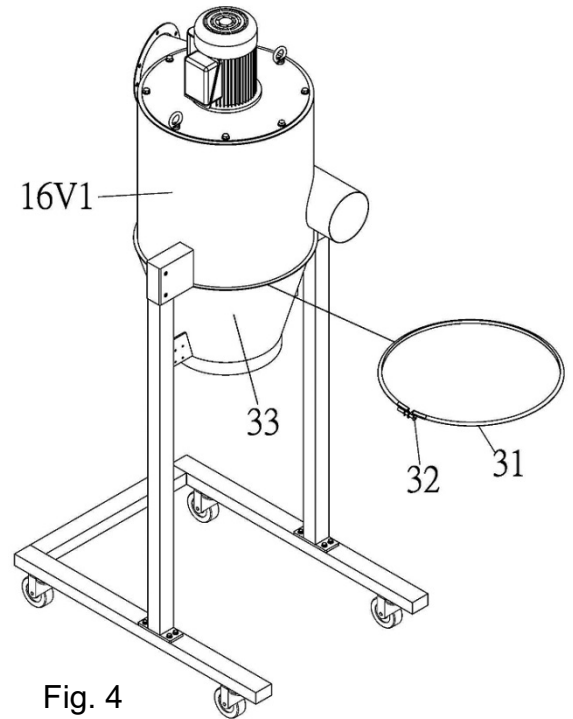


Fig. 4

6. Assemble Handle (NO. 68v1) inside the Canister Filter (NO. 55v2) and tighten with Set Screw 5/16"x3/4" (NO. 67) and Nut 5/16" (NO. 66). See FIG. 5

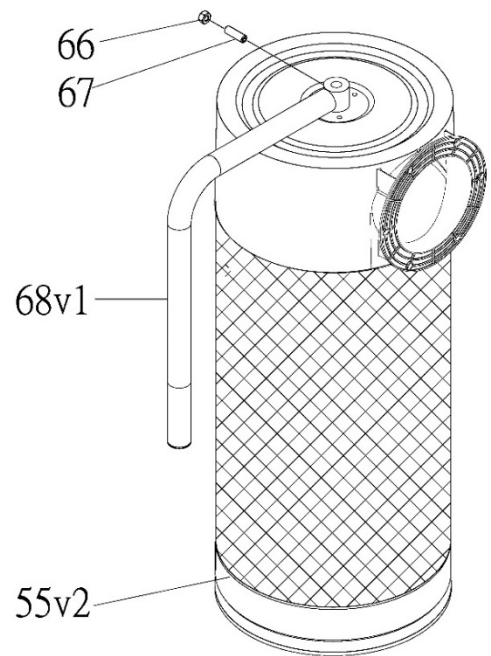


Fig. 5

- Assemble the Canister filter (NO. 55v2) on the Main Housing (NO.16v1) and tighten with Gasket (No.96) and Flange Bolt Screw $5/16" \times 3/4"$ (NO. 8) and Nut $5/16"$ (NO. 95). See FIG. 6

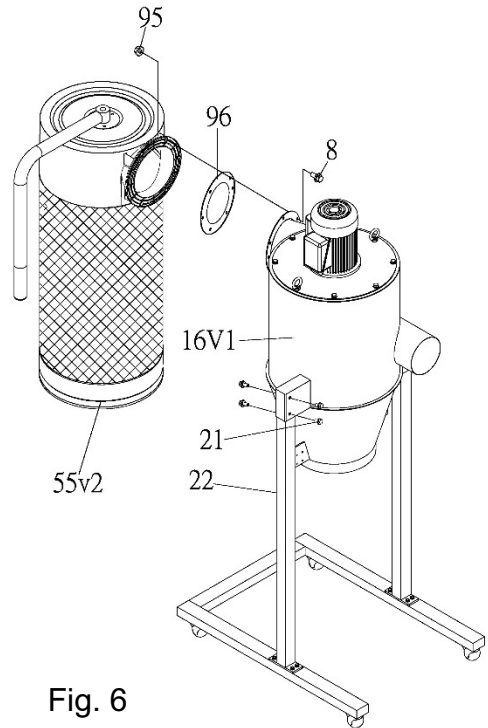


Fig. 6

- Assemble Inlet Adaptor (NO.18) on Main Housing (NO.16v1) and tighten with Phillips Head Screw $3/18" \times 3/8"$ (NO.17). See FIG. 7

- Paste Foam (NO. 54) as a circle on the bottom of canister filter (NO. 55v2), and tighten the PE Bag (NO. 52) with Bag Clamp (NO. 53). See FIG. 7

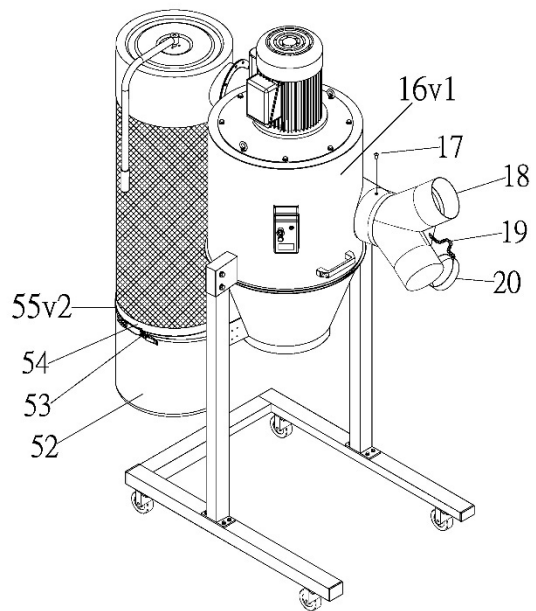


Fig. 7

10. Assemble and tighten Hose (NO.39) on Cone (NO.33) and Drum lid (NO.40) with Hose clamp (NO.38). See FIG. 8

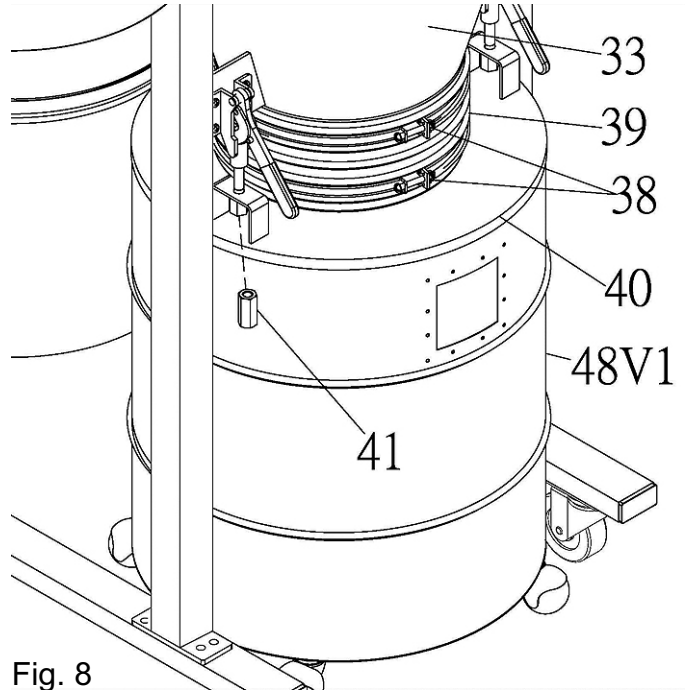


Fig. 8

11. Put the PE Bag (NO. 87) into the Drum (NO. 48v1) first, then placed the inner frame inside the PE bag in order (Fig.8) to press the bag down. See FIG. 9

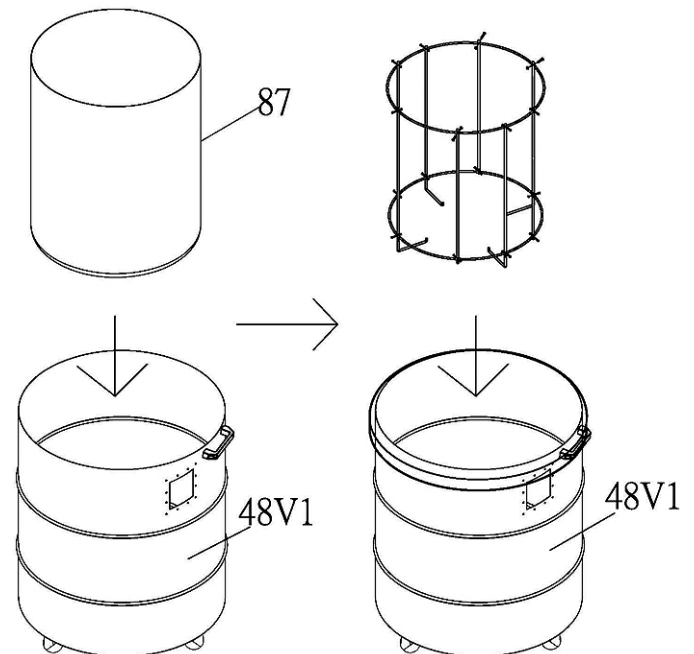


Fig. 9

12. Pull down the Quick Lever, and then assemble Drum Lid (No.40) and Quick Lever with Nut (No.41).

13. All the assembly steps are completed. See (FIG. 10)

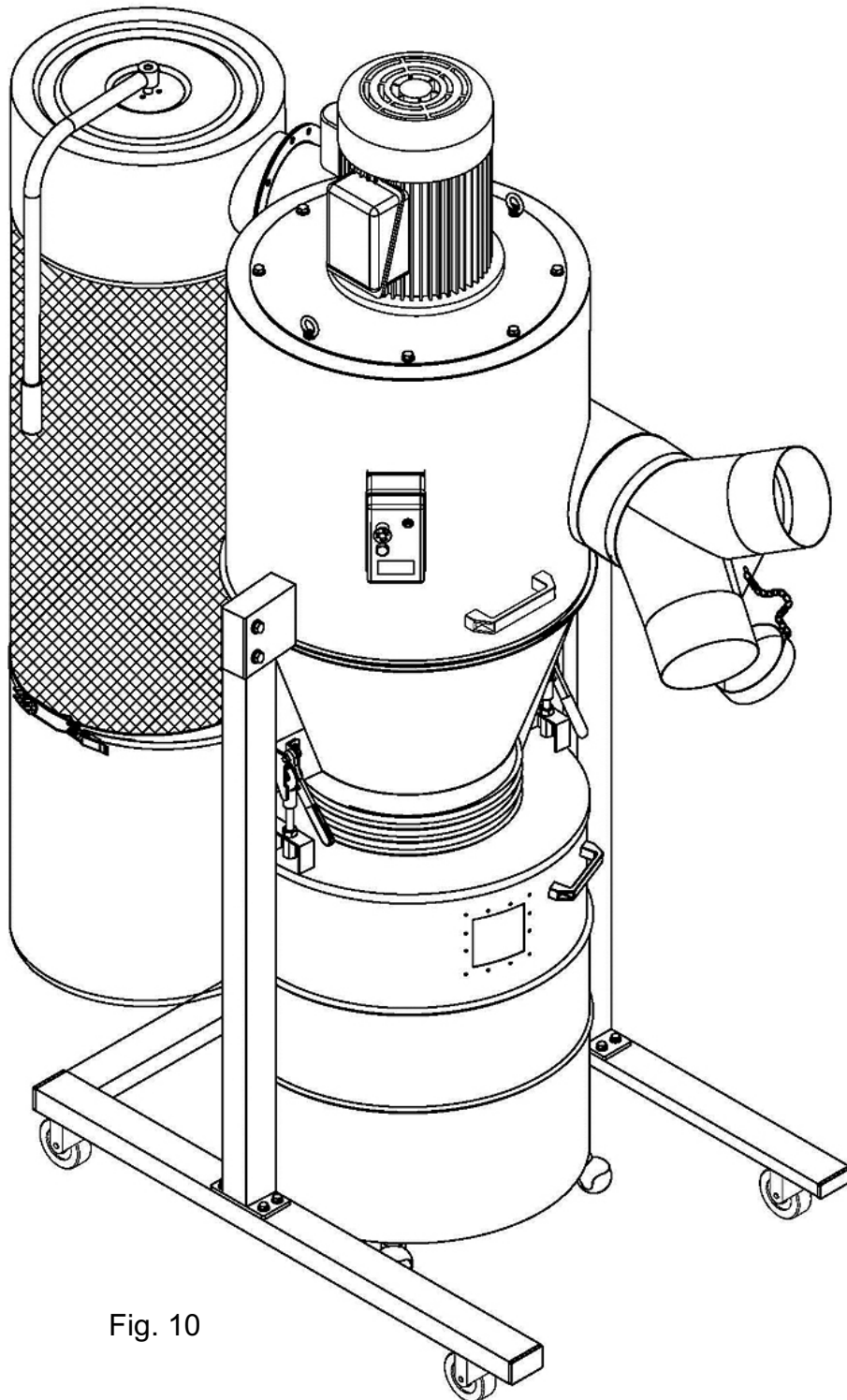




Fig. 10



ELECTRICAL

 **CAUTION:** HAVE ELECTRICAL UTILITIES CONNECTED TO MACHINE BY A CERTIFIED ELECTRICIAN!
Check if the available power supply is the same as listed on the machine nameplate.

 **WARNING:** Make sure the grounding wire (green) is properly connected to avoid electric shock. DO NOT switch the position of the green grounding wire if any electrical plug wires are switched during hookup.


Power Specifications

Your machine is wired for 220 volts, 60hz alternating current. Before connecting the machine to the power source, make sure the power source is OFF.

Before switching on the power, you must check the voltage and frequency of the power to see if they meet with the requirement, the allowed range for the voltage is $\pm 5\%$, and for the frequency is $\pm 1\%$.

Considerations

- Observe local electrical codes when connecting the machine.
- The circuit should be protected with a time delay fuse or circuit breaker with a amperage rating slightly higher than the full load current of machine.
- A separate electrical circuit should be used for your tools. Before connecting the motor to the power line, make sure the switch is in the "OFF" position and be sure that the electric current is of the same characteristics as indicated on the tool.
- All line connections should make good contact. Running on low voltage will damage the motor.
- In the event of a malfunction or breakdown, grounding provides a path of least resistance for electric current to reduce the risk of electric shock. This tool is equipped with an electric cord having an equipment-grounding conductor and a grounding plug. The plug must be plugged into a matching outlet that is properly installed and grounded in accordance with all local codes and ordinances.

 **WARNING:** In all cases, make certain the receptacle in question is properly grounded. If you are not sure, have a qualified electrician check the receptacle.



- Improper connection of the equipment-grounding conductor can result in risk of electric shock. The conductor with insulation having an outer surface that is green with or without yellow stripes is the equipment-grounding conductor. If repair or replacement of the electric cord or plug is necessary, do not connect the equipment-grounding conductor to a live terminal.
- Check with a qualified electrician or service personnel if the grounding instructions are not completely understood, or if in doubt as to whether the tool is properly grounded.
- Repair or replace damaged or worn cord immediately.

Extension Cord Safety

Extension cord should be in good condition and meet the minimum wire gauge requirements listed below:

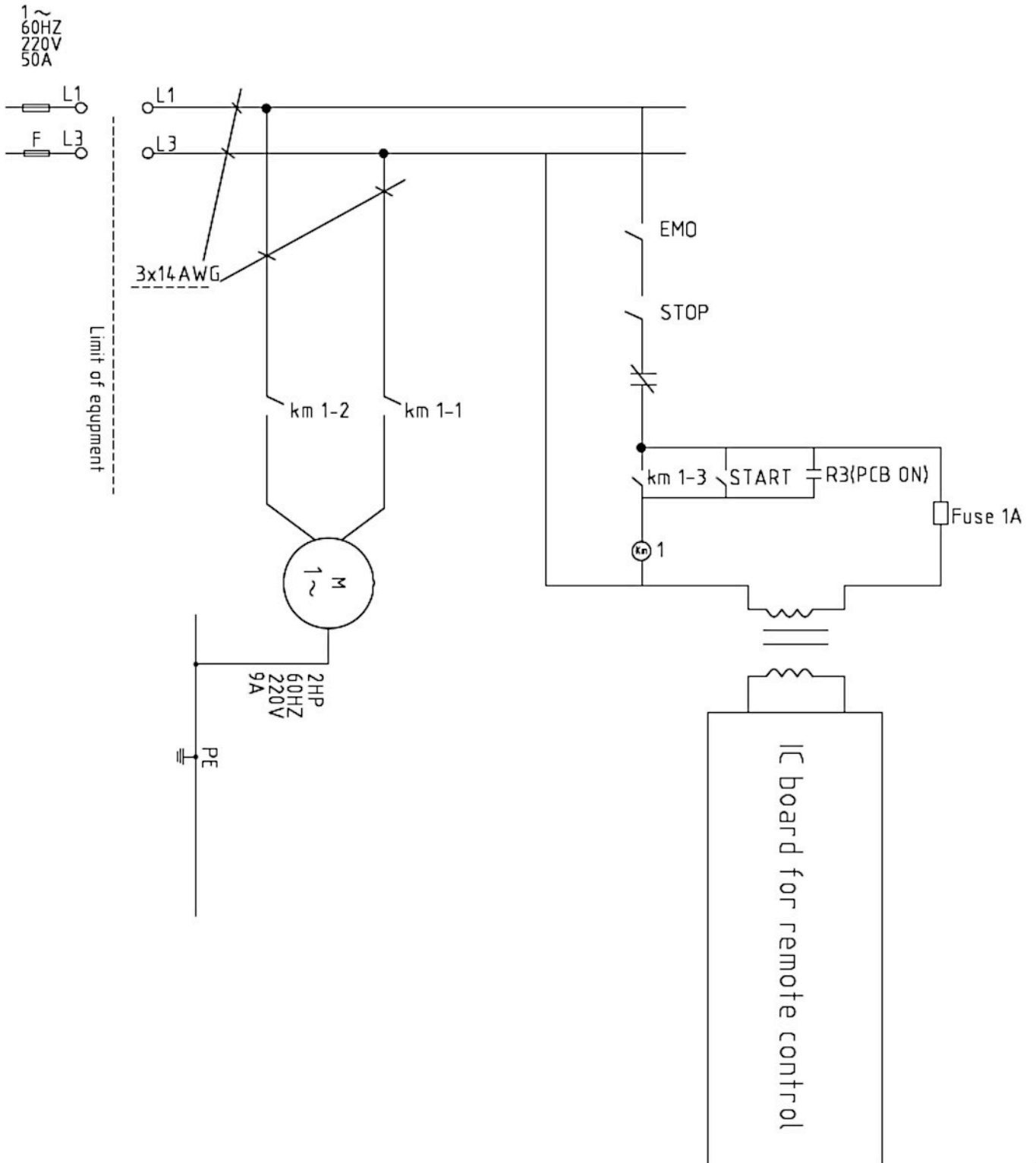
AMP RATING	LENGTH		
	25ft	50ft	100ft
1-12	16	16	14
13-16	14	12	12
17-20	12	12	10
21-30	10	10	No
WIRE GAUGE			

An undersized cord decreases line voltage, causing loss of power and overheating. All cords should use a ground wire and plug pin. Replace any damaged cords immediately.

Power cord connection:

1. Verify the main switch on the control panel is OFF position.
2. Unwrap the power cord and route the cord away from the machine toward the power supply.
 - a. Route the power cord so that it will NOT become entangled in the machine in any way.
 - b. Route the cord to the power supply is a way that does NOT create a trip hazard.
3. Connect the power cord to the power supply and check that the power cord has not been damaged during installation.
4. When the machine is clear of any obstruction. The main power switch may be turn ON to test the operation. Turn the switch OFF when the machine is not in operation.

ELECTRICAL DIAGRAM





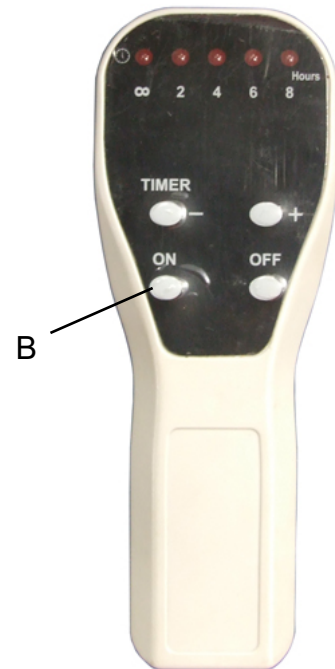
REMOTE RESET AND CLEAR FUNCTION

Clear

1. Press the reset button (A) on the control box for 3 seconds until the receiver “beep” 3 times.

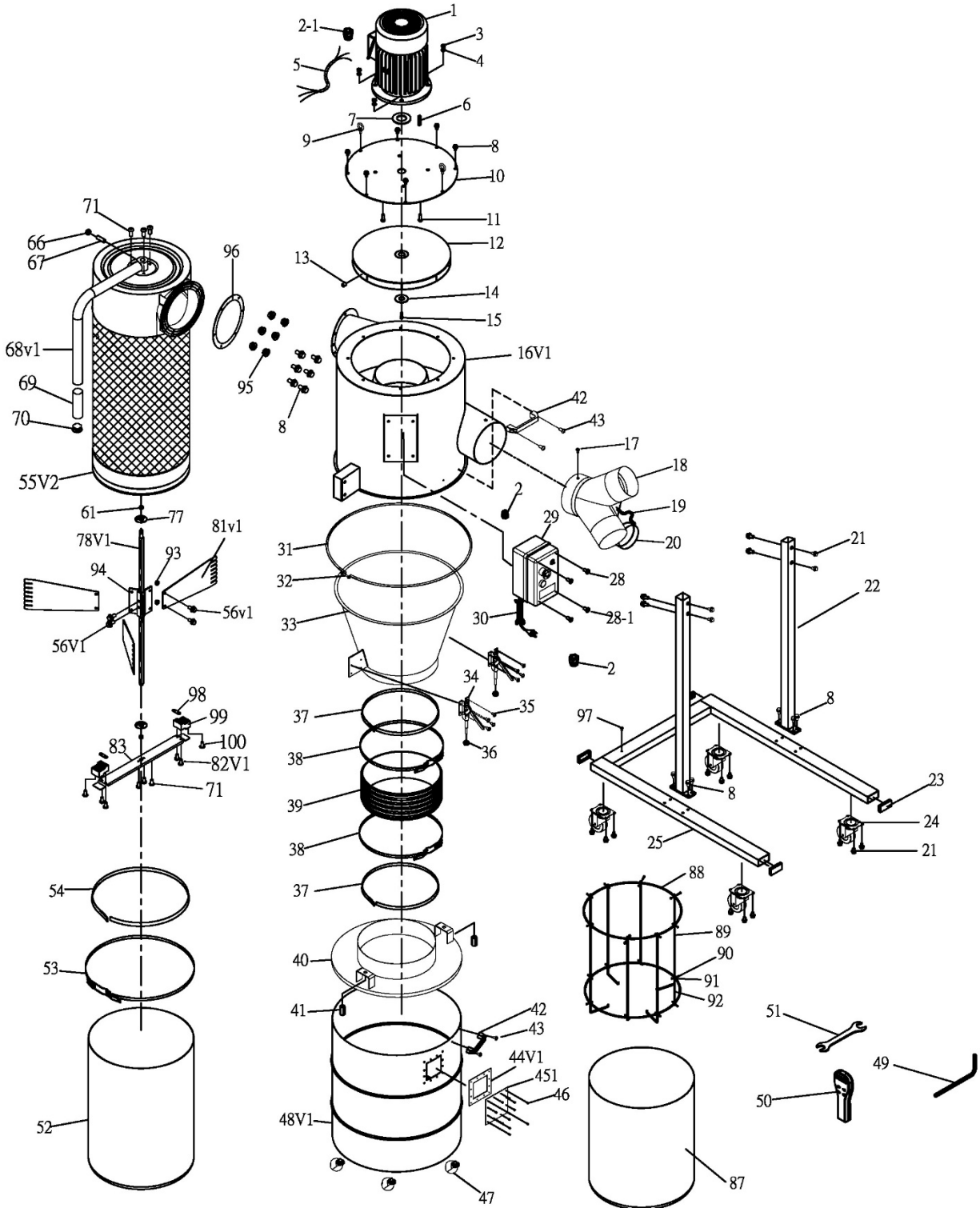
Reset

2. Press the reset button (A) on the control box for 1 second until the receiver “beep” once.
3. Press “ON” button (B) on the hand held remote control until the receiver “beep” twice. If using more than one remote, repeat this step for all remotes before continuing.
4. Press the reset button (A) on the control box for 3 seconds until the receiver “beep” 3 times.





EXPLODED DIAGRAM





Part List

Item	Part No.	Description	Qty.
1	DC1400C-1	Motor 2HP	1
2	DC1400C-2	Bushing MP-20	2
2-1	DC1400C-2-1	Bushing 2.0	1
3	DC1400C-3	Nut 5/16"	4
4	DC1400C-4	Spring Washer 5/16"	4
5	DC1400C-5	Motor Cord	1
6	DC1400C-6	Key 7x7x25	1
7	DC1400C-7	Motor Packing	1
8	DC1400C-8	Flange Bolt Screw 5/16"x3/4"	20
9	DC1400C-9	Hanger 5/16"	2
10	DC1400C-10	Motor Plate	1
11	DC1400C-11	Hex. Bolt 5/16"x1"	4
12	DC1400C-12	Impeller 14.5"	1
13	DC1400C-13	Set Screw 3/8"x3/4"	1
14	DC1400C-14	Impeller Washer	1
15	DC1400C-15	Cap Screw M6x20	1
16v1	DC1400C-16v1	Main Housing	1
17	DC1400C-17	Philips Head Screw 3/16"x3/8"	1
18	DC1400C-18	Inlet Adaptor 6"x4"	1
19	DC1400C-19	Chain	1
20	DC1400C-20	Cap 4"	1
21	DC1400C-21	Flange Bolt Screw 5/16"x 1/2"	24
22	DC1400C-22	Stand	2
23	DC1400C-23	Plug 30x60	4
24	DC1400C-24	Base Wheel 2-1/2"	4
25	DC1400C-25	Base	1
28	DC1400C-28	Phillips Head Screw 3/16"x3/8"	2
28-1	DC1400C-28-1	Phillips Head Screw 3/16"x3/8"	2
29	DC1400C-29	Magnetic Switch	1
30	DC1400C-30	Power Cord	1
31	DC1400C-31	Cone Clamp	1
32	DC1400C-32	Hex Head Screw 1/4"x2-1/2"	1
33	DC1400C-33	Cone	1
34	DC1400C-34	Quick Handle	2



Item	Part No.	Description	Qty.
35	DC1400C-35	Phillips Head Screw M5x8	8
36	DC1400C-36	Nut M10	2
37	DC1400C-37	Foam	2
38	DC1400C-38	Hose Clamp 12-1/2"	2
39	DC1400C-39	Hose 12"	1
40	DC1400C-40	Drum Lid	1
41	DC1400C-41	Long Nut M10	2
42	DC1400C-42	Drum Handle	2
43	DC1400C-43	Phillips Head Screw 1/4"x1/2"	4
44v1	DC1400C-44v1	Packing	1
45v1	DC1400C-45v1	Acrylic Board	1
46	DC1400C-46	Rivet 4-3	12
47	DC1400C-47	Drum Wheel 5/16"x2"	4
48	DC1400C-48	Drum	1
49	DC1400C-49	Allen Wrench 4mm	1
50	DC1400C-50	Remote Control Bar	1
51	DC1400C-51	Open Wrench 10x12	1
52	DC1400C-52	PE Bag Φ 370x450	1
53	DC1400C-53	Bag Clamp Φ 370	1
54	DC1400C-54	Foam	1
55v2	DC1400C-55v2	Canister Filter 370x600	1
56v1	DC1400C-56v1	Flange Bolts M5x12	8
61	DC1400C-61	Bearing 1206	2
66	DC1400C-66	Nut 5/16"	1
67	DC1400C-67	Set Screw 5/16"x3/4"	1
68v1	DC1400C-68v1	Handle	1
69	DC1400C-69	Sponge 7/8"	1
70	DC1400C-70	Cap 3/4"	1
71	DC1400C-71	Button Head Screw M5x6	6
77	DC1400C-77	Bearing Support	2
78v1	DC1400C-78v1	Spindle	1
81v1	DC1400C-81v1	Flapper	3
82v1	DC1400C-82v1	Phillips Head Screw M5x40	4
83	DC1400C-83	Bottom Fixing Support	1
87	DC1400C-87	PE Bag	1



Item	Part No.	Description	Qty.
88	DC1400C-88	Loop	2
89	DC1400C-89	Barrel Fixing Stick (long)	4
90	DC1400C-90	Nut M3	16
91	DC1400C-91	Phillips Head Screw M3x12	16
92	DC1400C-92	Barrel Fixing Stick (short)	4
93	DC1400C-93	Nut M5	6
94	DC1400C-94	Plate Fixing Block	1
95	DC1400C-95	Nut 5/16"	6
96	DC1400C-96	Gasket	1
97	DC1400C-97	Phillips Head Screw 3/16"x1/4"	1
98	DC1400C-98	Fixing Plate	2
99	DC1400C-99	Block Fixing Plate	2
100	DC1400C-100	Phillips Head Sheet Metal Screw M4x16	4



NOTES

BAILEIGH INDUSTRIAL
1625 DUFEK DRIVE MANITOWOC, WI 54220
PHONE: 920. 684. 4990 FAX: 920. 684. 3944
www.baileigh.com