

# MID-RISE SCISSORS SMART LIFT

*AMGO mid-rise scissors lift model MRL09 is designed with hydraulic locking system, and double entrance drive-in ramps which are suitable for most vehicles, especially lower chassis car.*



**MRL09**

### Main Features

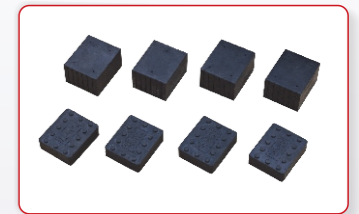
- ✓ 9,000LBS(4000kg) capacity.
- ✓ Mid rise scissors lift, 24V Safety voltage control.
- ✓ Dual hydraulic synchronization & hydraulic locking system;
- ✓ The lifting scissors are made of thickened steel which is more strong;
- ✓ Adjustable lift platform length, applicable to vehicles with different wheelbases;
- ✓ Two-stage drive in ramps, suitable for lifting ultra-low chassis vehicles;
- ✓ Flexible structure design, users can choose either flush mount or surface mount installation;
- ✓ Standard ETL certificated power unit;
- ✓ AMGO global 5-3-2 warranty policy:
  - 5 year Warranty on Steel Components,
  - 3 year Warranty on Hydraulic Parts,
  - 2 years Warranty on Electrical Components.



Dual hydraulic synchronization & hydraulic locking system;

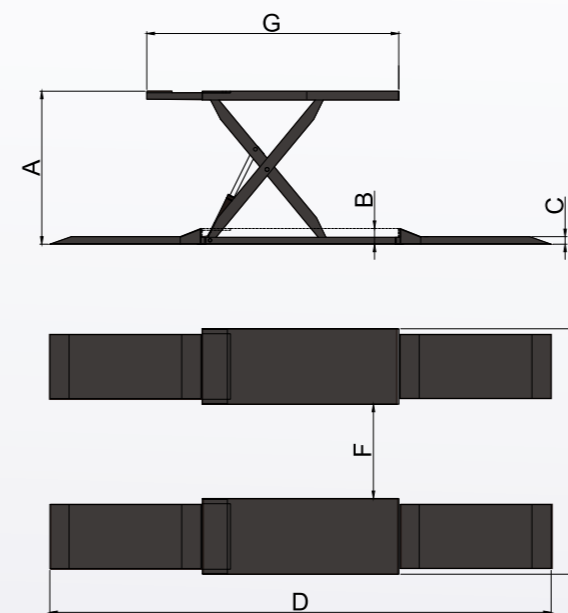


Adjustable lift platform length, applicable to vehicles with different wheelbases.



Both 1 1/2" and 3" height rubber pads included as standard supply.

### SPECIFICATIONS



Model	MRL09
Lifting Capacity	9,000lbs (4000kg)
Lifting Time	29S
Max. Lifting Height	A 47 1/4" (1200mm)
Minimum Height	B 5 3/8" (135mm)
First Stage Ramp Height	C 2 1/2" (65mm)
Overall Length(Inc. ramps)	D 156 3/4" (3980mm)
Overall Width	E 76 3/4" (1950mm)
Width Between Runways	F 29 1/2" (750mm)
Runway Length	G 61 3/8"-77 1/8" (1560-1960mm)
Gross Weight	1,788 lbs (811kg)
Motor	2.0HP,220V/60Hz,single phase

### AMGO HYDRAULIC CORPORATION

1931 Joe Rogers Jr Blvd, Manning, SC 29102, USA  
Tel:(803)505-6410 www.amgohyd.com