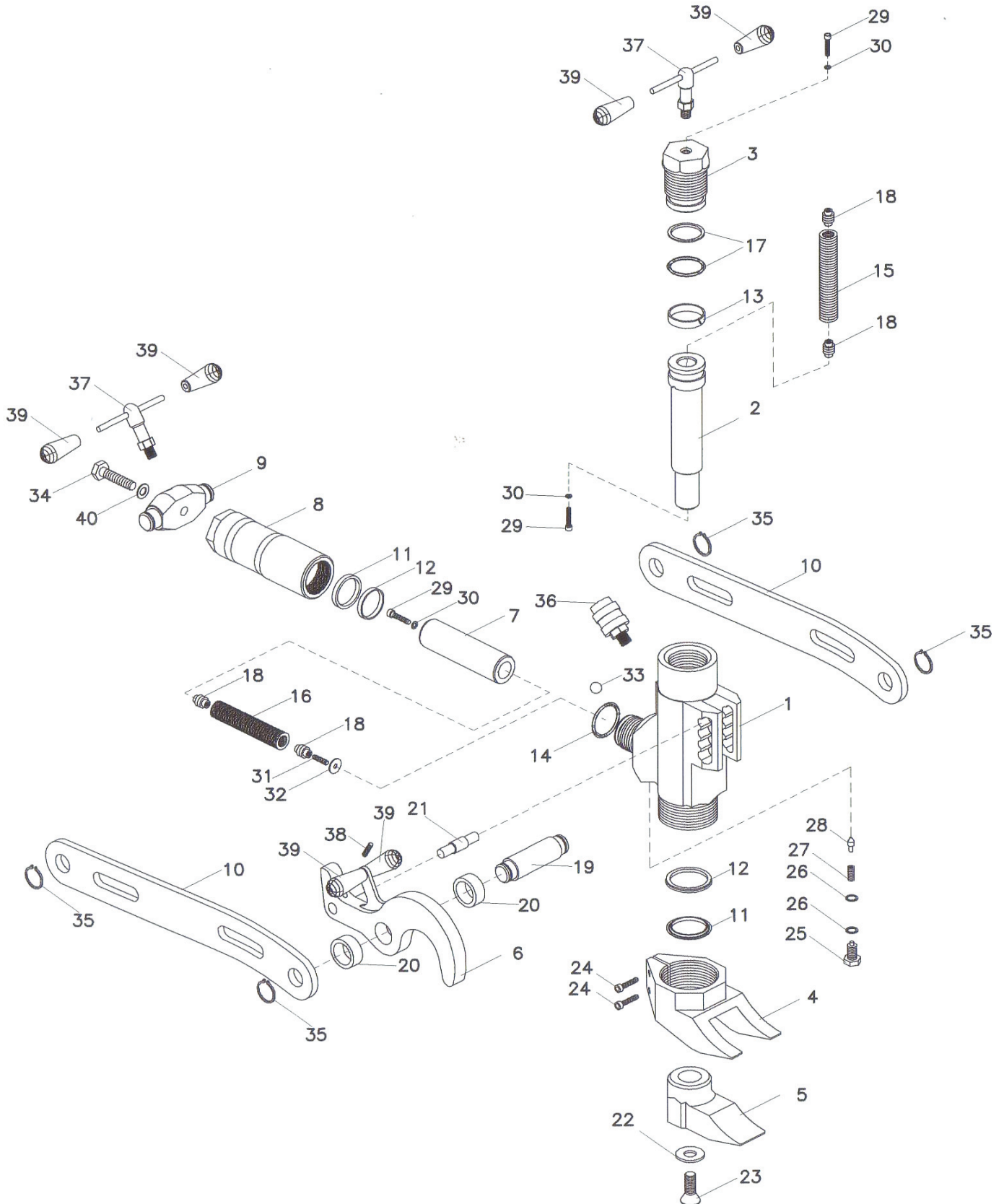




EURO BEAD BREAKER

Model #10107





EURO BEAD BREAKER

Model #10107

Parts List

Part #	Description	Qty
1	Body	1
2	Cylinder Rod	1
3	Cylinder Head	1
4	Teeth, Clamping	1
5	Foot	1
6	Clamping, Jaw	1
7	Clamping Cylinder Rod	1
8	Clamping Cylinder Housing	1
9	Rod Base	1
10	Side Strap	2
11	Seal Ring	2
12	Seal Ring	2
13	Seal	1
14	O-Ring	1
15	Spring	1
16	Spring	1
17	O-Ring & Thin Ring	1
18	Nut	4
19	Pin	1
20	Spacers	2
21	Clamp Jaw Pin	1

Part #	Description	Qty
22	Washer	1
23	Screw	1
24	Screw	2
25	Valve Plug	1
26	Washer	2
27	Spring	1
28	Sequencing Ball	1
29	Screw	3
30	Washer	3
31	Screw	1
32	Washer	1
33	Ball	1
34	Bolt	1
35	Snap Ring	4
36	Coupler	1
37	T-Handle	2
38	Set Screw	1
39	Rubber Inserts	6
40	Washer	1
41	Seal Kit	1