

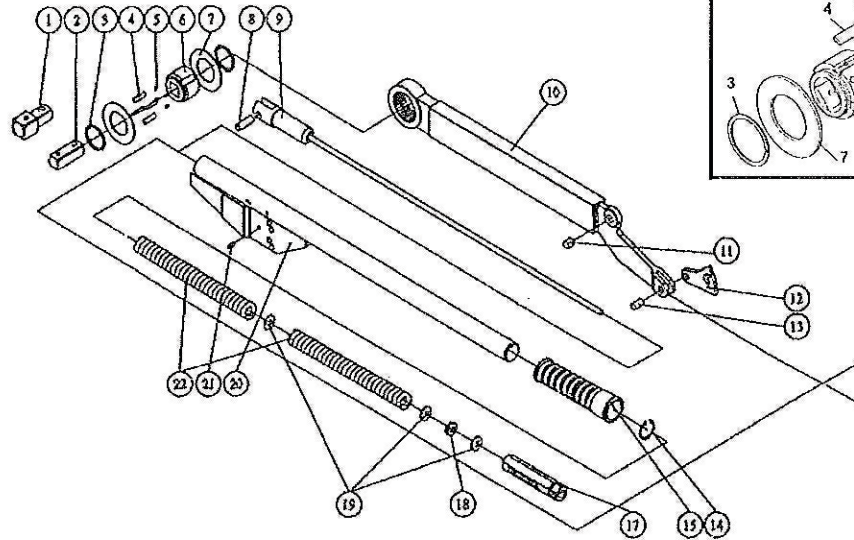


Part Number 10007

Part Number 10010

Break-Back Style

Hand Torque Wrench



| ITEM# | DESCRIPTION | Quantity | Part No. |
|-------|--|----------|--------------|
| 1 | 3/4"x1" drive | 1 | 040059000019 |
| 2 | 3/4"x3/4" drive | 1 | 040059000017 |
| 3 | C-Ring | 2 | 030010000058 |
| 4 | Pawl | 4 | 030106000019 |
| 5 | Pawl Spring | 4 | 030008000094 |
| 6 | Driver | 1 | 040030000083 |
| 7 | Lid | 2 | 030025000023 |
| | head set | | 150350000059 |
| 8 | Pluger Threads PIN | 1 | 030022000063 |
| 9 | Pluger Threads | 1 | 040400000001 |
| 10 | Ratchet Body Kit | 1 | 040394000001 |
| 11 | Bearing | 1 | 030043000007 |
| 12 | brake Pad | 1 | 040411000001 |
| 13 | brake Pad PIN | 1 | 030022000066 |
| 14 | G Buckle | 1 | 030038000013 |
| 15 | handle | 1 | 030416000001 |
| 17 | Adjusting Nut | 1 | 040414000001 |
| 18 | bushing | 1 | 030413000001 |
| 19 | washer | 3 | 030025000024 |
| 20 | Steel Tube Kit | | 040403000001 |
| 21 | PIN | | 030022000065 |
| 22 | Spring | 2 | 030114000034 |
| | Male/Male Extension Arm · 3/4"x 3/4"x13" | 1 | MC343413 |
| | Male/Male Extension Arm · 3/4"x 1" x13" | 1 | MC44113 |

Equipment Supply Company

15270 Flight Path Drive
 Brooksville, FL 34604

352-754-1117 • Fax 352-754-4508

www.esco.net • sales@esco.net