



Automotive Hydraulic Cylinders

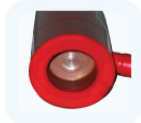
Model: ZAR Series
Stroke: 3" to 10"
Capacity: 2-10 tons
Max. Operating Pressure: 8,950 psi



For Collision Repair, please order our snap-together components (shown above) for quick set-up for any jobs.
(CAUTION: For each attachment or component used in the set-up, the rated capacity of the hydraulic system is reduced 50%)



Threaded rod end.



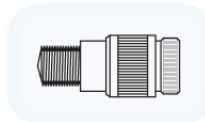
Snap-type rod end.

Usage

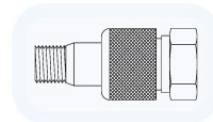
These rugged versatile cylinders are designed for automotive collision repair, and a broad range of tasks that require hydraulic force.

Special Features

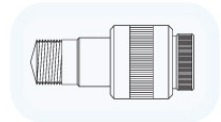
1. All models come with either 1/4" NPT or 3/8" NPT regular flow quick-connection couplers and dust caps.
2. 10 ton models are designed with internal threads, or snap type on rod end, which can be easily converted for threaded or snap-type applications. Matching base is available upon request.
3. 4 ton models come with a snap-type inner base.
4. The 2 ton model comes with flat-type base and screw extension top.



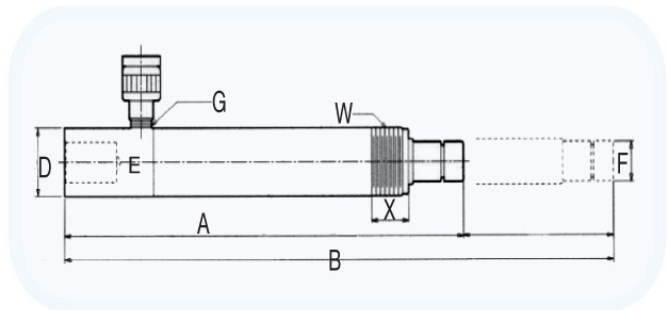
1/4 N.P.T. regular coupler



1/4 N.P.T. L-type coupler



3/8 N.P.T. regular coupler



Model Number	Stroke (in)	Oil Cap. (in ³)	Cyl. Effec. Area (in ²)	Dimensions (in)									Base Inner Thrd. (in)	Oil Inlet Port NPT (in)	Int. Press. At Cap. (psi)	Int. Spring Return	Ship Wt. (lbs)
				Coll. Height	Extend Height	Outside Dia.	Cyl. Bore Dia.	Plgr Dia.	Saddle Dia.	Plgr. Int. Thread	Collar Thread	Collar Thread Length					
				A	B	D	E	F	J	P	W	X					
2 Ton Capacity																	
ZAR-023	3.00	2.3	0.79	5.50	8.50	1.38	1	0.875	0.875	---	1 1/2 - 16	---	---	1/4	5605	N	2
4 Ton Capacity																	
ZAR-044SP	4.00	3.9	0.99	10.75	14.75	1.50	1.12	1	0.875	---	1 1/2 - 16	0.98	---	1/4	8889	Y	4
ZAR-045SP	5.00	4.27	0.99	10.82	15.82	1.50	1.12	1	0.875	---	1 1/2 - 16	0.98	---	1/4	8889	Y	5
10 Ton Capacity																	
ZAR-106SP	6.00	14.8	2.46	14.25	20.25	2.24	1.77	1.5	1.30	1 - 8	2 1/4 - 14	1.26	1 - 1/4	3/8	8943	Y	12
ZAR-106T	6.00	14.8	2.46	13.50	19.50	2.24	1.77	1.5	---	1 - 8	2 1/4 - 14	1.26	1 - 1/4	3/8	8943	Y	12
ZAR-1010SP	10.00	24.7	2.46	15.25	27.25	2.24	1.77	1.5	1.30	1 - 8	2 1/4 - 14	1.26	1 - 1/4	3/8	8943	Y	16
ZAR-1010T	10.00	24.7	2.46	16.50	26.50	2.24	1.77	1.5	---	1 - 8	2 1/4 - 14	1.26	1 - 1/4	3/8	8943	Y	16

* T= Threaded base SP - Snap type base