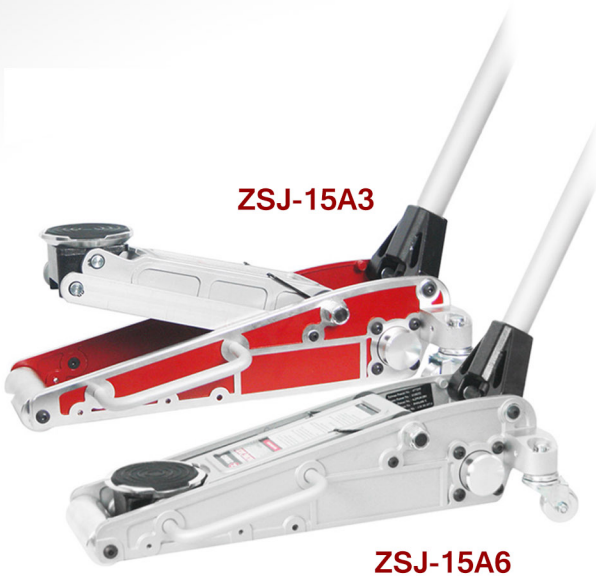




Lightweight Aluminum Service Jack

Model: ZSJ-15A3 / ZSJ-15A6
Capacity: 1.5 Ton

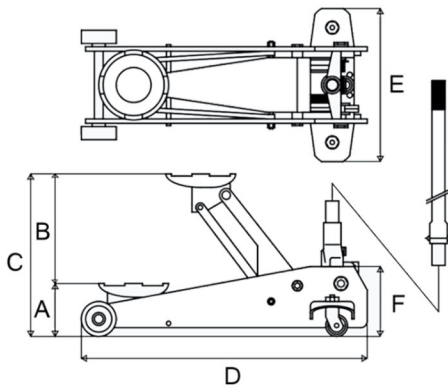


Usage:

These lightweight aluminum service jacks are easy to maneuver and are a great choice for working on custom cars in the shop or on the race track.

Special Features:

1. Fast performance - 3 pumps to maximum height on model ZSJ-15A3, and 6 pumps to maximum height on model ZSJ-15A6.
2. Low profile - extremely low starting point designed specifically for race cars and low profile vehicles.
3. Roller front wheel, and rear wheel casters make these jacks easily maneuverable.
4. Durable - the highest grade die cast aluminum combined with our patented hydraulic system while meeting all of Zinko's high standards make this jack trouble-free.
5. Universal - 3,000 lbs. capacity, combined with a notched lift cup that has a removable rubber insert that allows for use on many types of vehicles. No stop bracket required.
6. Features two piece handle that is strong and portable.
7. Standard model comes with dual carrying handles. Optional dirt track stabilizer for use on non-paved surfaces are available upon request.



- Optional dirt track stabilizer attached to ZSJ-15A3 (94015A-DTS) to use for lifting on unpaved ground.



- Dirt track stabilizer mounting holes.



- Both ZSJ-15A models feature heavy-duty rear caster wheels.

Model Number	Capacity (Ton)	Minimum Height (in) A	Hydraulic Lift (in) B	Maximum Height (in) C	Chassis Length (in) D	Chassis Width (in) E	Height of Frame (in) F	Weight (lbs)
ZSJ-15A3	1.5	3.50	14	17.50	23.63	11.75	6.13	48
ZSJ-15A6	1.5	3.50	14	17.50	23.63	11.75	6.13	49