



Toe Jack

Model: ZHC Series Toe Jack
Capacity: 2 to 15 Ton



ZHC-15V

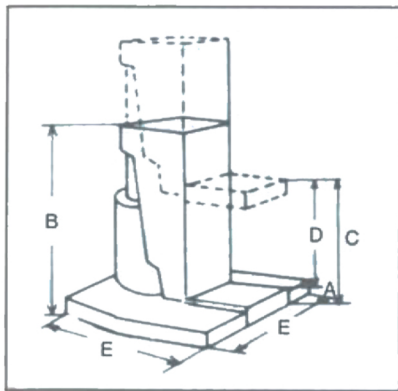
Usage:

Use our safe, dependable toe jacks to safely lift a heavy load in a low clearance situation. Super low height (lowest in the industry) toe jacks ease operation under the most difficult situations. These are the best choice for lifting heavy machinery and cargo, especially when installing industrial machinery, relocating shipyard equipment, or during bridge and plant construction.

Use toe jacks with our industrial strength speed rollers for moving heavy, oversized equipment and cargo safely. Zinko's line of speed rollers come in sizes to easily handle from 1 to 10 tons. Please refer to Zinko's speed rollers catalog for more information.

Special Features:

1. 360° turn lever socket for operation at any direction.
2. Low toe height is ideal for use where clearance is tight.
3. Designed for fine adjustments. Ideal for delicate work such as installation of precision machines.
4. Welded steel construction prevents oil leakage and a special heat treatment reduces metal fatigue.



ZHC-2V

ZHC-5V

ZHC-12V

Model Number	Capacity (Ton)	Min. Height (in)		Max Height (in)		Ram Lift (in)	Toe Area (in)	Base Area (in)	Weight (lbs)
		Toe - A	Head - B	Toe - C	Head				
ZHC-2V	2	0.63	9.44	5.07	13.89	4.44	2.56 x 1.96	8.93 x 6.30	20
ZHC-5V	5	0.86	11.41	5.59	16.14	4.72	2.95 x 2.24	10.31 x 7.16	52
ZHC-12V	12	1.10	12.79	6.81	18.50	5.70	3.34 x 2.36	11.41 x 8.85	88
ZHC-15V	15	1.26	13.58	6.77	19.09	5.51	4.33 x 2.36	12.63 x 10.15	117