



# Lightweight Aluminum Service Jack

**Model: ZSJ-20A**  
**Capacity: 2 Ton**

### Usage:

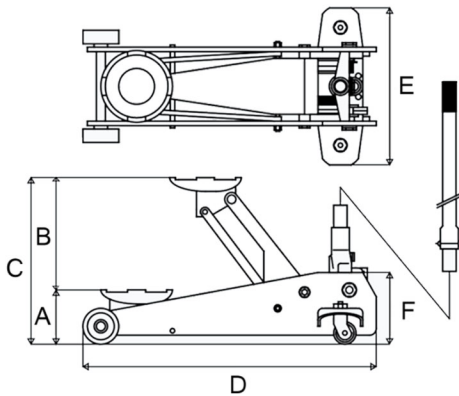
This specially designed aluminum floor jack is lightweight and durable. The ZSJ-20A is an ideal choice for use in the garage or on the race track.

### Special Features:

1. Fast performance - rapid lifting with approximately 11.5 pumps to reach maximum height of 17.5".
2. Low profile yet high lift - Starting height 3.5", these jacks can easily go under many sports cars without interference.
3. Light and compact - Weights less than 50 lbs. for easy mobility and reduced operator fatigue.
4. Durable - constructed of high grade die-cast aluminum combined with a patented high quality hydraulic system.
5. Universal joint release mechanism allows controlled lowering.
6. Padded saddle fits many types of cars and protects undercarriage.
7. Standard side and rear mounted carrying handle for easy transportation.



**ZSJ-20A**



• **ZSJ-20A (Top View)**



• **ZSJ-20A (Saddle)**

• **ZSJ-20A (Rear Caster Wheel)**

Urethane front and aluminum rear wheels assure smooth movement and avoids squeaking.

Model Number	Capacity (Ton)	Minimum Height (in)	Hydraulic Lift (in)	Maximum Height (in)	Chassis Length (in)	Chassis Width (in)	Height of Frame (in)	Weight (lbs)
		A	B	C	D	E	F	
ZSJ-20A	2	3.5	14	17.5	23.63	11.75	6.13	49