



# Aluminum Journal Jack

**Model: ZAJ Series**

**Capacity: 10 / 15 / 25 Ton**



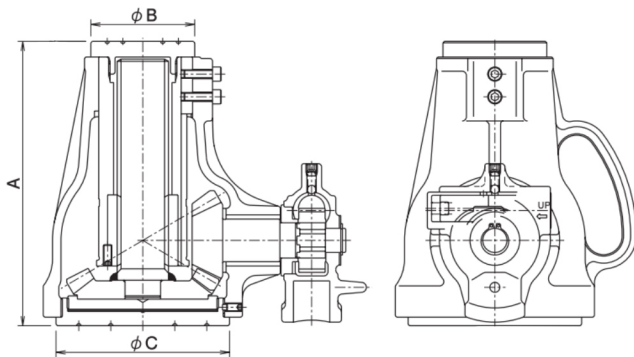
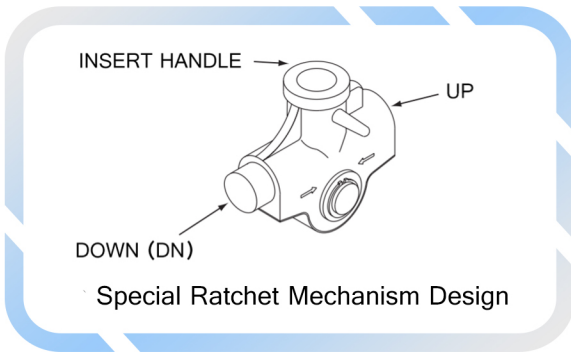
**ZAJ-2510**

## Usage:

Used in structural steel work, bridges, shop building and other industries where powerful multi-position jacks are required. Ideal for applications where electric power or air power is inconvenient, dangerous or unavailable.

## Special Features:

1. Unique load bearing is designed for long life and smooth operation.
2. Rigidly designed screw is made with chrome-molybdenum steel to handle rated loads.
3. Beveled ring gear interlocks with the precision forged pinion to provide shifted tooth form for smooth operation.
4. Ratchet handle designed with nickel-chrome wheel and plunger allows easy smooth operation.
5. Buttress threads will not creep down under load.
6. Constructed of aluminum alloy, reducing overall weight.



**ZAJ-1510**



**ZAJ-1008**

Model Number	Capacity (Ton)	Stroke (in)	Operation Force (Ft. / lb.)	Min. Height (in) A	Cap. Diameter (in) B	Base Diameter (in) C	Weight (lbs)
ZAJ-1008	10	3.15	185	6.88	2.28	4.01	18
ZAJ-1510	15	3.93	310	7.87	2.28	4.01	20
ZAJ-2510	25	3.93	520	7.87	2.88	4.80	29