

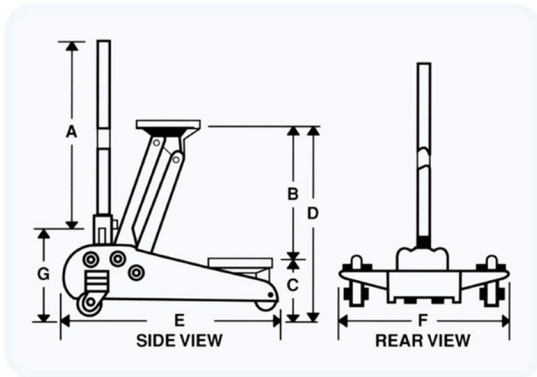


# Racing Car Service Jack

**Model: ZSJ-10A**  
**Capacity: 1 Ton**



**Azure Blue**



- Optional dirt track stabilizer used on unpaved ground.

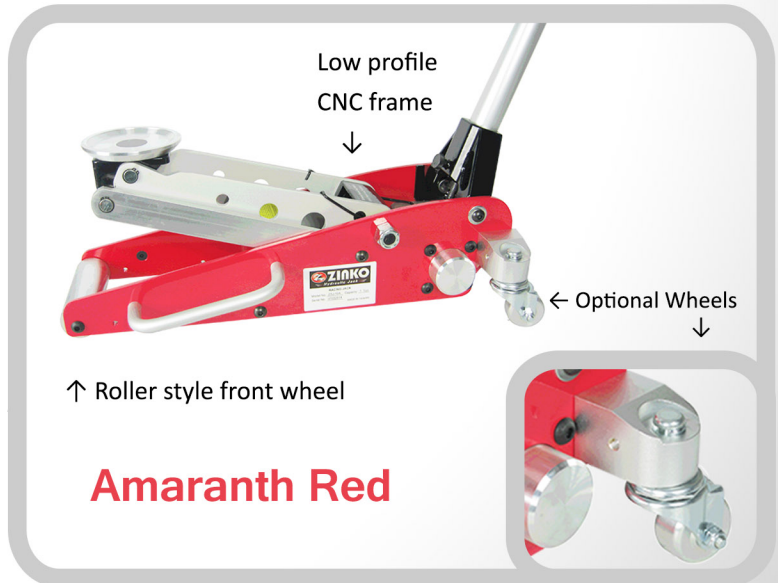
Part # 94015A-DTS

## Usage:

Specially designed aluminum floor jack for race car repair services with two colors.

## Special Features:

1. Fast Performance - Rapid lift with 6 pumps to reach maximum height.
2. Light, Compact and Durable - Fully CNC profile machined from aircraft grade billet aluminum for strength and maximum weight saving.
3. Low Profile - Extra low starting height and jack frame especially designed for race.
4. Side mounted handle for quick and easy carrying.
5. One strong piece handle offer rigidity during pumping. Handle comes in separate package.
6. Handle stop bracket and assembly tool are included.
7. Optional dirt track stabilizer for use on non-paved surfaces.
8. Shipped with replacement repair parts kit for future service.



**Amaranth Red**

Model Number	Capacity (Ton)	Handle Length (in) A	Hydraulic Lift (in) B	Minimum Height (in) C	Overall Jack Height (in) D	Chassis Length (in) E	Chassis Width (in) F	Height of Frame (in) G	Weight (lbs)
ZSJ-10A	1	43	14	3.5	17.5	23.63	11.63	6	43