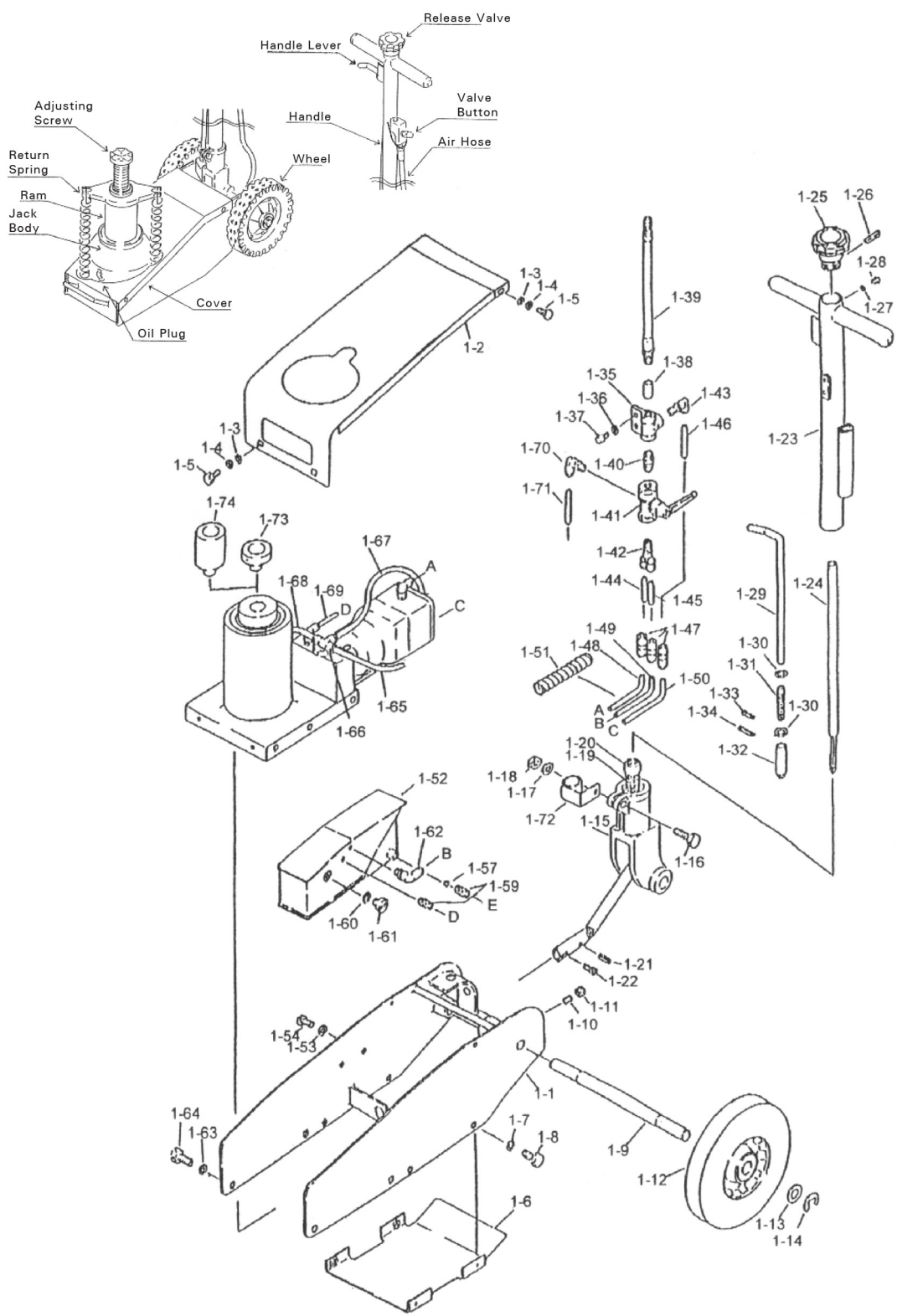


## Frame Assembly

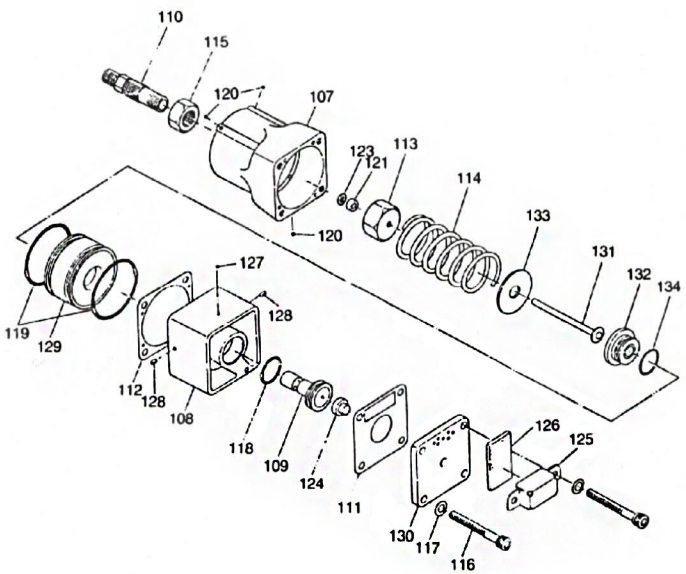


## Frame Assembly

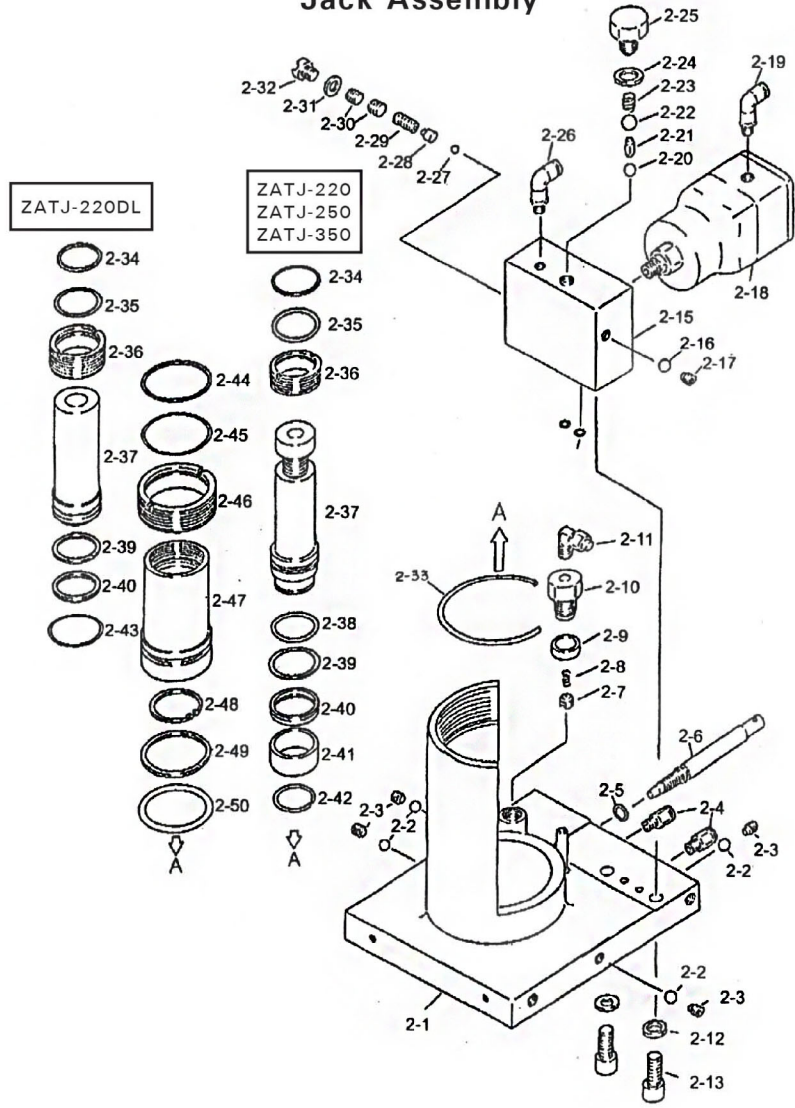
| Part #       | Description     | Part #       | Description     | Part #       | Description    |
|--------------|-----------------|--------------|-----------------|--------------|----------------|
| 9060250-1-1  | Frame Assy      | 9060250-1-25 | Knob            | 9060250-1-49 | Tube           |
| 9060250-1-2  | Cover           | 9060250-1-26 | Spring Pin      | 9060250-1-50 | Tube           |
| 9060250-1-3  | Washer          | 9060250-1-27 | Spring Washer   | 9060250-1-51 | Coil Tube      |
| 9060250-1-4  | Nut             | 9060250-1-28 | Screw           | 9060250-1-52 | Reservoir      |
| 9060250-1-5  | Bolt            | 9060250-1-29 | *Lever          | 9060250-1-53 | Washer         |
| 9060250-1-6  | Frame-Bottom    | 9060250-1-30 | *Washer         | 9060250-1-54 | Bolt           |
| 9060250-1-7  | Washer          | 9060250-1-31 | *Spring         | 9060250-1-57 | Filter         |
| 9060250-1-8  | Bolt            | 9060250-1-32 | *Lock Ring      | 9060250-1-59 | Elbow          |
| 9060250-1-9  | Shaft           | 9060250-1-33 | *Cotter Pin     | 9060250-1-60 | O-Ring         |
| 9060250-1-10 | Screw           | 9060250-1-34 | *Cotter Pin     | 9060250-1-61 | Oil Plug       |
| 9060250-1-10 | Nut             | 9060250-1-35 | Air Valve Brake | 9060250-1-62 | Elbow          |
| 9060250-1-12 | Wheel           | 9060250-1-36 | Spring Washer   | 9060250-1-63 | Washer         |
| 9060250-1-13 | Washer          | 9060250-1-37 | Bolt            | 9060250-1-64 | Bolt           |
| 9060250-1-14 | E-Ring          | 9060250-1-38 | Element         | 9060250-1-65 | Hose           |
| 9060250-1-15 | Handle Socket   | 9060250-1-39 | Air Hose        | 9060250-1-66 | T Connector    |
| 9060250-1-16 | Hi-ten Bolt     | 9060250-1-40 | Nipple          | 9060250-1-67 | Hose           |
| 9060250-1-17 | Washer          | 9060250-1-41 | Air Valve       | 9060250-1-68 | Hose           |
| 9060250-1-18 | Nut             | 9060250-1-42 | Y Connector     | 9060250-1-69 | Hose           |
| 9060250-1-19 | Spring          | 9060250-1-43 | Elbow           | 9060250-1-70 | Elbow          |
| 9060250-1-20 | Universal Joint | 9060250-1-44 | Tube            | 9060250-1-71 | Tube           |
| 9060250-1-21 | Spring Pin      | 9060250-1-45 | Tube            | 9060250-1-72 | Adaptor Holder |
| 9060250-1-22 | Bolt            | 9060250-1-46 | Tube            | 9060250-1-73 | Adaptor-A      |
| 9060250-1-23 | Handle          | 9060250-1-47 | I Connector     | 9060250-1-74 | Adaptor-B      |
| 9060250-1-24 | Release Rod     | 9060250-1-48 | Tube            |              |                |

## Air Pump

| Part #       | Description   | Part #       | Description          |
|--------------|---------------|--------------|----------------------|
| 9060220S-107 | Cylinder      | 9060220S-121 | *Seal Ring           |
| 9060220S-108 | Valve Body    | 9060220S-123 | *Backup Ring         |
| 9060220S-109 | Valve         | 9060220S-124 | Pilot Piston Cushion |
| 9060220S-110 | Cylinder Bolt | 9060220S-125 | Silent Cap           |
| 9060220S-111 | *Gasket A     | 9060220S-126 | Soundproofer         |
| 9060220S-112 | *Gasket B     | 9060220S-127 | Ball                 |
| 9060220S-113 | Seal Nut      | 9060220S-128 | Screw                |
| 9060220S-114 | Spring        | 9060220S-129 | Piston               |
| 9060220S-115 | Nut           | 9060220S-130 | Head Cup             |
| 9060220S-116 | Cap Screw     | 9060220S-131 | Piston Rod           |
| 9060220S-117 | Spring Washer | 9060220S-132 | Piston Plug          |
| 9060220S-118 | *O-Ring       | 9060220S-133 | Piston Plate         |
| 9060220S-119 | *O-Ring       | 9060220S-134 | *O-Ring              |
| 9060220S-120 | Ball          | 9060220S-RP  | Repair Kits (All*)   |



## Jack Assembly



| Part #       | Description    | Part #       | Description      | Part #        | Description         |
|--------------|----------------|--------------|------------------|---------------|---------------------|
| 9060250-2-1  | Jack Assembly  | 9060250-2-15 | Valve Block Assy | 9060250-2-29  | SV Spring           |
| 9060250-2-2  | Ball           | 9060250-2-16 | Ball             | 9060250-2-30  | SV Adj. Screw       |
| 9060250-2-3  | Screw          | 9060250-2-17 | Bolt             | 9060250-2-31  | # SV Packing        |
| 9060250-2-4  | Connector      | 9060250-2-18 | Air Pump Assy    | 9060250-2-32  | SV Plug             |
| 9060250-2-5  | # O-Ring       | 9060250-2-19 | Elbow            | 9060250-2-33  | # O-Ring            |
| 9060250-2-6  | Release Stem   | 9060250-2-20 | Ball             | 9060250-2-34  | # Dust Seal         |
| 9060250-2-7  | Valve A        | 9060250-2-21 | Piece            | 9060250-2-35  | # O-Ring            |
| 9060250-2-8  | Spring         | 9060250-2-22 | Ball             | 9060250-2-36  | Nut                 |
| 9060250-2-9  | Copper Packing | 9060250-2-23 | Valve Spring     | 9060250-2-37  | Ram                 |
| 9060250-2-10 | Plug A         | 9060250-2-24 | Copper Packing   | 9060250-2-38  | # O-Ring            |
| 9060250-2-11 | Elbow          | 9060250-2-25 | Plug             | 9060250-2-39  | # Backup Ring       |
| 9060250-2-12 | Spring Washer  | 9060250-2-26 | Elbow            | 9060250-2-40  | # Ram Packing       |
| 9060250-2-13 | Bolt           | 9060250-2-27 | Ball             | 9060250-2-41  | Ram Guide Spring    |
| 9060250-2-14 | O-Ring         | 9060250-2-28 | Ball Sheet       | 9060250-2-42  | Ram Snap Ring       |
|              |                |              |                  | 9060250-2-106 | Repair Kits (All #) |