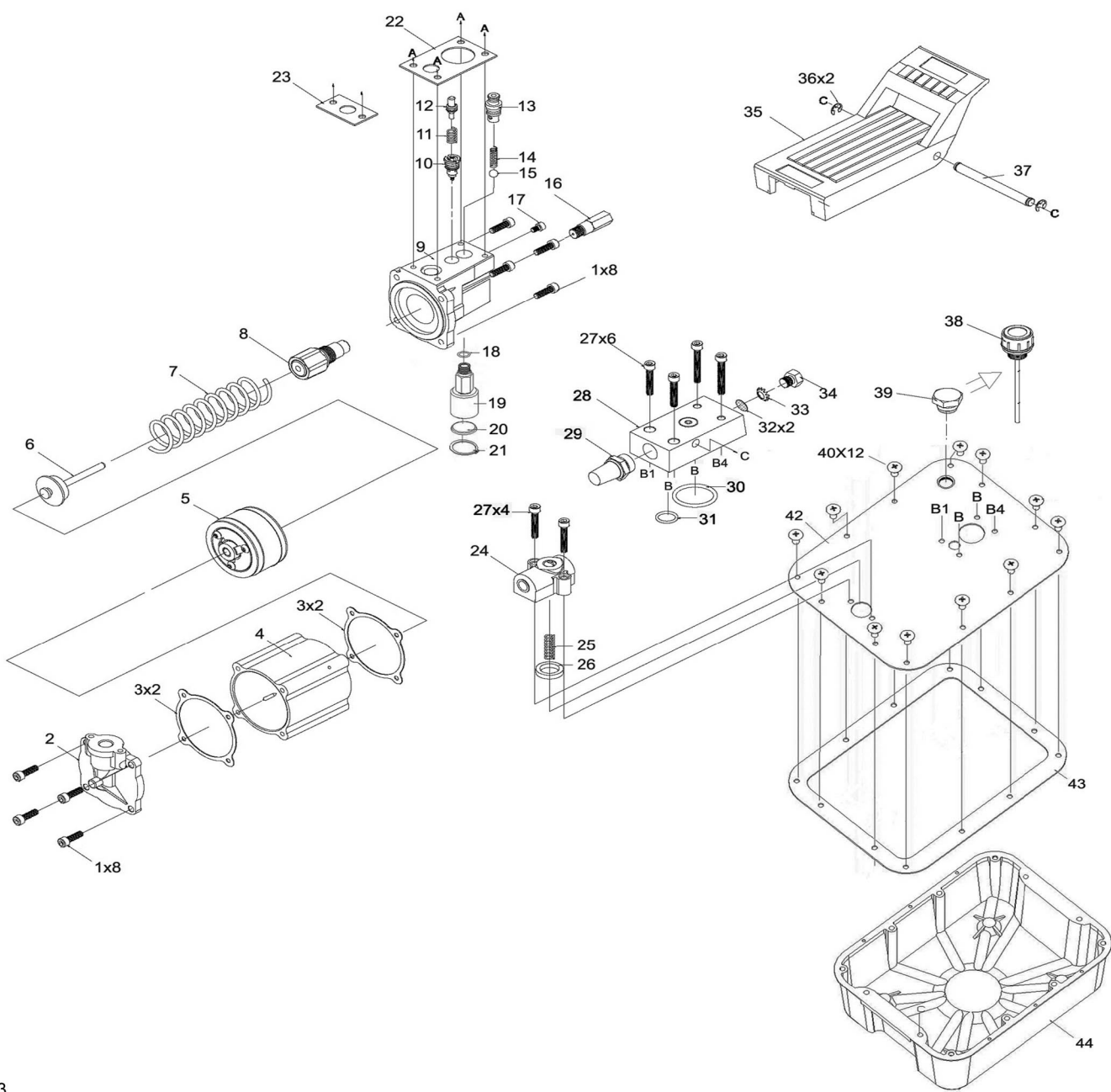




ZAP-104 Parts Breakdown

Toll Free: 1-800-579-8088 Web: www.zinko.com



Part #	Description
922-101-01	Bolt
922-101-02	Top Cap
922-101-03	Packing*
922-101-04	Cylinder Tube
922-101-05	Air Piston Kit
922-101-06	Pump Piston
922-101-07	Spring*
922-101-08	Pump Cylinder Kit
922-101-09	Hydraulic Base
922-101-10	Release Valve*
922-101-11	Release Spring*
922-101-12	Release Valve Bolt*
922-101-13	Oil Pressure Valve*
922-101-14	Spring*
922-101-15	Steel Ball*
922-101-16	Valve Cartridge
922-101-17	Screw
922-101-18	Packing*
922-101-19	Oil Inlet Valve
922-101-20	Filter*
922-101-21	C-Ring*
922-101-22	Packing*
922-101-23	Packing*
922-101-24	Air Inlet Valve Seal Kit
922-101-25	Spring*
922-101-26	O-Ring*
922-101-27	Screw
922-101-28	Pump Valve Block Kit
922-101-29	Silencer
922-101-30	Foot Pedal Stopper
922-101-31	Washer
922-101-32	Bolt
922-101-34	Plug
922-101-35	Foot Pedal
922-101-36	C-Ring
922-101-37	Foot Pedal Axle
922-101-38	Air Ventilation Plug
922-101-39	Shipping Plug
922-104-40	Bolt
922-104-42	Cover
922-104-43	Oil Packing*
922-104-44	Oil Container
922-104-RL	Rebuild Kits (All*)