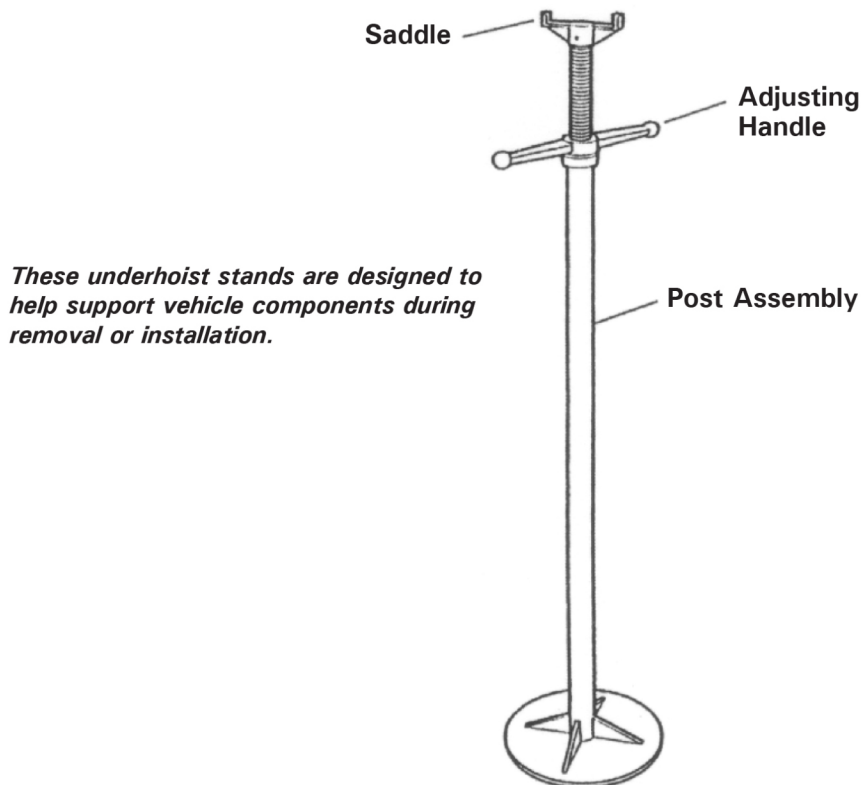


Operating Instructions



Important Receiving Instructions

Visually inspect all components for shipping damage. Shipping damage is NOT covered by warranty. If shipping damage is found, notify carrier at once. The carrier is responsible for all repairs and replacement costs during product shipping.

Owner's Responsibility

The owner and/or operator shall have an understanding of these operating instructions and warnings before operating the underhoist stand(s). Warning information shall be emphasized and understood. If the operator is not fluent in English, the instructions should be read to and discussed with the operator in the operator's native language by the purchaser/owner, making sure that the operator comprehends its content.

CAUTION

To prevent equipment failure or damage resulting in personal injury:

⚠ WARNING

1. Read, understand, and follow these instructions.
2. Wear eye protection that meets the requirements of ANSI Z87.1 and OSHA.
3. Inspect the condition of the underhoist stand(s) before each use; DO NOT use a stand if it's damaged, altered, or in poor condition.
4. Use the stand on a hard, level surface. **A stand must have solid contact with the ground.**
5. **DO NOT** attempt to support a vehicle with the stand. It is designed to help support vehicle **components** only.
6. Place the load on the center of the saddle, not on the outer lips.
7. **DO NOT exceed the rated capacity of the underhoist stand.**
8. Test the stability of the load.

Operating Instructions

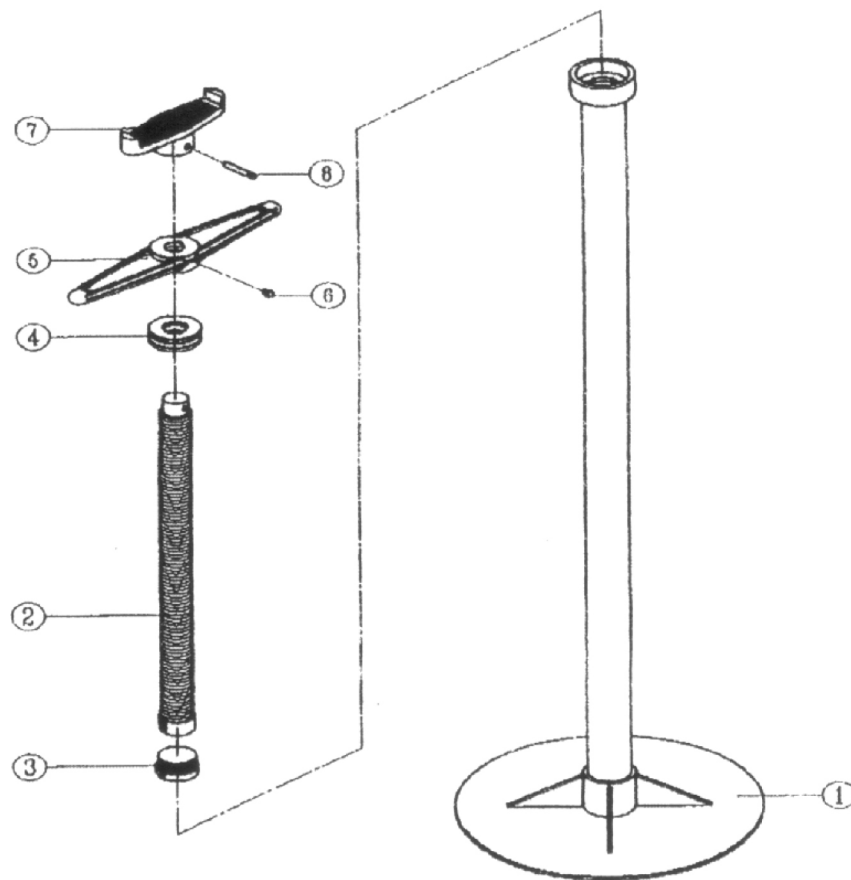
Turn the adjusting handle clockwise until the underhoist saddle meets the load. Continue turning the handle to raise the load to required height.

Lowering the Load

To lower the underhoist stand, turn the adjusting handle counterclockwise.

Zinko Hydraulic Jack

Model: ZHS-075



Part #	Description
9130075-1	Base
9130075-2	Adjustment Screw
9130075-3	Plug
9130075-4	Bearing

Part #	Description
9130075-5	Handle
9130075-6	Grease Hole
9130075-7	Saddle
9130075-8	Roll Pin



ZINKO HYDRAULIC JACK

PO Box 4903, Ontario, CA 91761

Toll Free: 1-800-579-8088

www.zinkojack.com

Phone: (909) 230-4100

Fax: (909) 230-4137