



Toll Free: 1-800-579-8088 Web: www.zinko.com

MODEL

ZATJ Series

Air Hydraulic Truck Jack

Operating Instructions & Repair Parts List

Operation

The owner and/or operator shall have an understanding of these operating instructions and warnings before operating the jack. Warning information shall be emphasized and understood. If the operator is not fluent in English, the instructions and warning shall be read to and discussed with the operator in the operator's native language by the purchaser/owner, making sure that the operator comprehends its contents.



For Your Safety and to Prevent Injury

1. Use the jack for lifting purposes only. This jack is designed to **LIFT** loads, not support loads. Immediately support a lifted load with jack stands.
2. **THE VEHICLE OWNER'S MANUAL SHOULD BE CONSULTED PRIOR TO THE LIFTING OF THE VEHICLE.**
3. To prevent tipping, set up the jack on a hard, level surface.
4. Stay clear of lifted loads.
5. Center the load on the jack saddle. Off-center loads can damage the seals and cause hydraulic failure.
6. **USE SAFETY STANDS UNDER THE AXLE AFTER LIFTING THE VEHICLE.**
7. **DO NOT GO UNDER VEHICLE IF IT IS SUPPORTED ONLY BY A JACK.**
8. **WHEN LOWERING THE VEHICLE, MAKE SURE NOBODY IS IN, AROUND OR UNDER THE VEHICLE.**
9. **THE SAFETY VALVE IS FACTORY ADJUSTED AND NO FURTHER ADJUSTMENT IS REQUIRED.**
10. **FAILURE TO READ THESE WARNINGS MAY RESULT IN LOSS OF LOAD, DAMAGE TO JACK, PERSONAL INJURY AND/OR PROPERTY DAMAGE.**
11. Read, understand, and follow the operating instructions, the **ANSI B30.1** and **ASME PALD-1** safety standards for jacks.
12. Inspect the jack before each use; do not use the jack if damaged, altered, or in poor condition.
13. The load must not exceed the rated lifting capacity of the jack. Lift only dead weight.

Operating Instructions

1. Before using, add 1/2 oz. of clean lubricating oil to air inlet. Lack of oil can cause malfunction of air pump.
Proper Oil: ISO VG 10 or equivalent. **NOTE:** Be sure to: **a)** Use clean, dry air. **b)** Dirty or humid air may cause malfunction of air pump. **c)** Clean dirt from air houses and connect together.
2. Close release valve securely, depress valve button and check if ram rises. Open release valve and check if ram lowers.
3. Pull handle lever up and lock handle in the most convenient operating position. Center saddle of jack under point of contact and raise saddle.
4. Once saddle contacts load, **STOP** and **RE-CHECK** point of contact to insure load is centered.
5. Raise load to desired height and transfer load to jack stands.
6. To lower the load, turn release valve **SLOWLY** counter-clockwise. **DO NOT** turn release valve more than twice; this may cause sudden lowering.

If jack is laid down before using or during transit, jack may become "air-bound".

To remove air from the hydraulic system:

1. Open release valve.
2. With air supply connected, activate air pump 10-15 seconds.
3. Close release valve and check normal operation.

If ram still does not rise, follow the procedure below to remove air completely:

1. Remove cover.
2. Remove plug.
3. Activate air pump slowly by controlling valve button, allowing air to blow as bubbles. Do not activate pump quickly. Air will hardly blow out by quick activation of pump.
4. Reinstall and tighten plug after air blows out.
5. Remove oil plug and check oil level.
6. Check normal operation.

Maintenance

1. Keep oil reservoir filled.

To do so: a) With ram in lowest position, remove filter plug.

b) Fill reservoir with clean hydraulic jack oil until oil is level with bottom of fill hole.

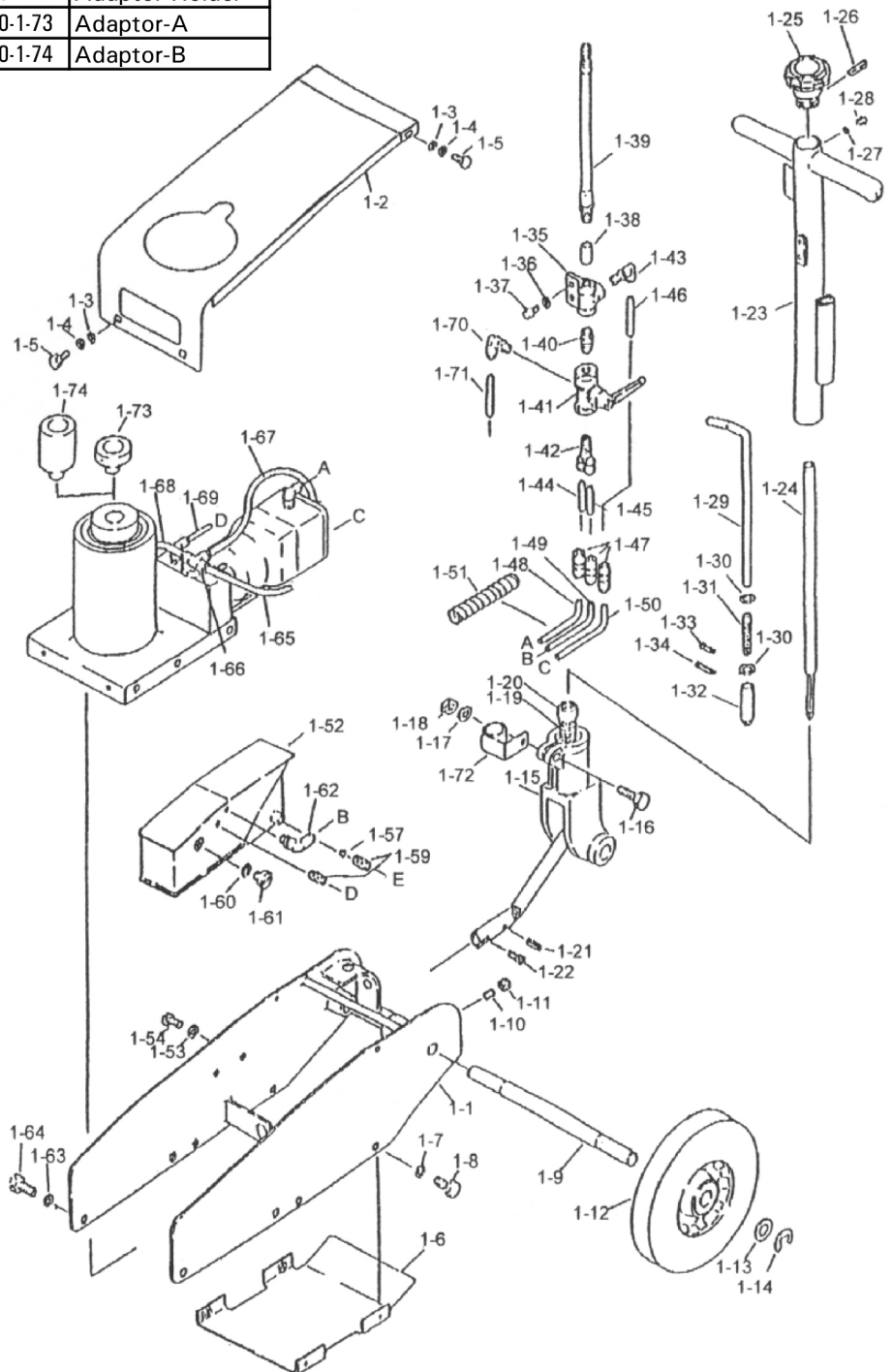
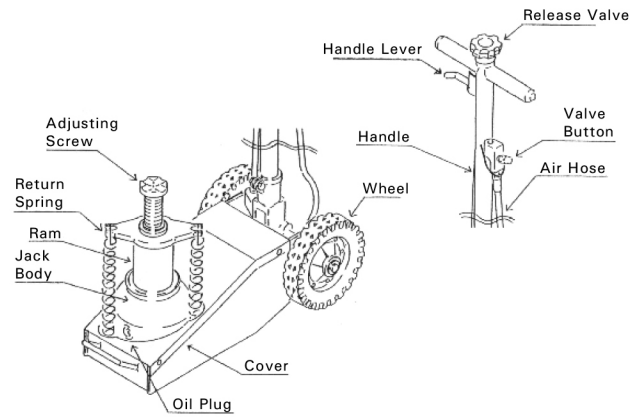
Proper Oil: ISO VG 10 or equivalent. **DO NOT USE HIGH VISCOSITY OIL, OR VOLATILE OIL SUCH AS BRAKE FLUID OR VEGETABLE OIL.**

2. Clean the jack after using. Check sliding and rotating and oil as needed.
3. When storing jack, keep handle upright and ram in lowest position.

Zinko Hydraulic Jack

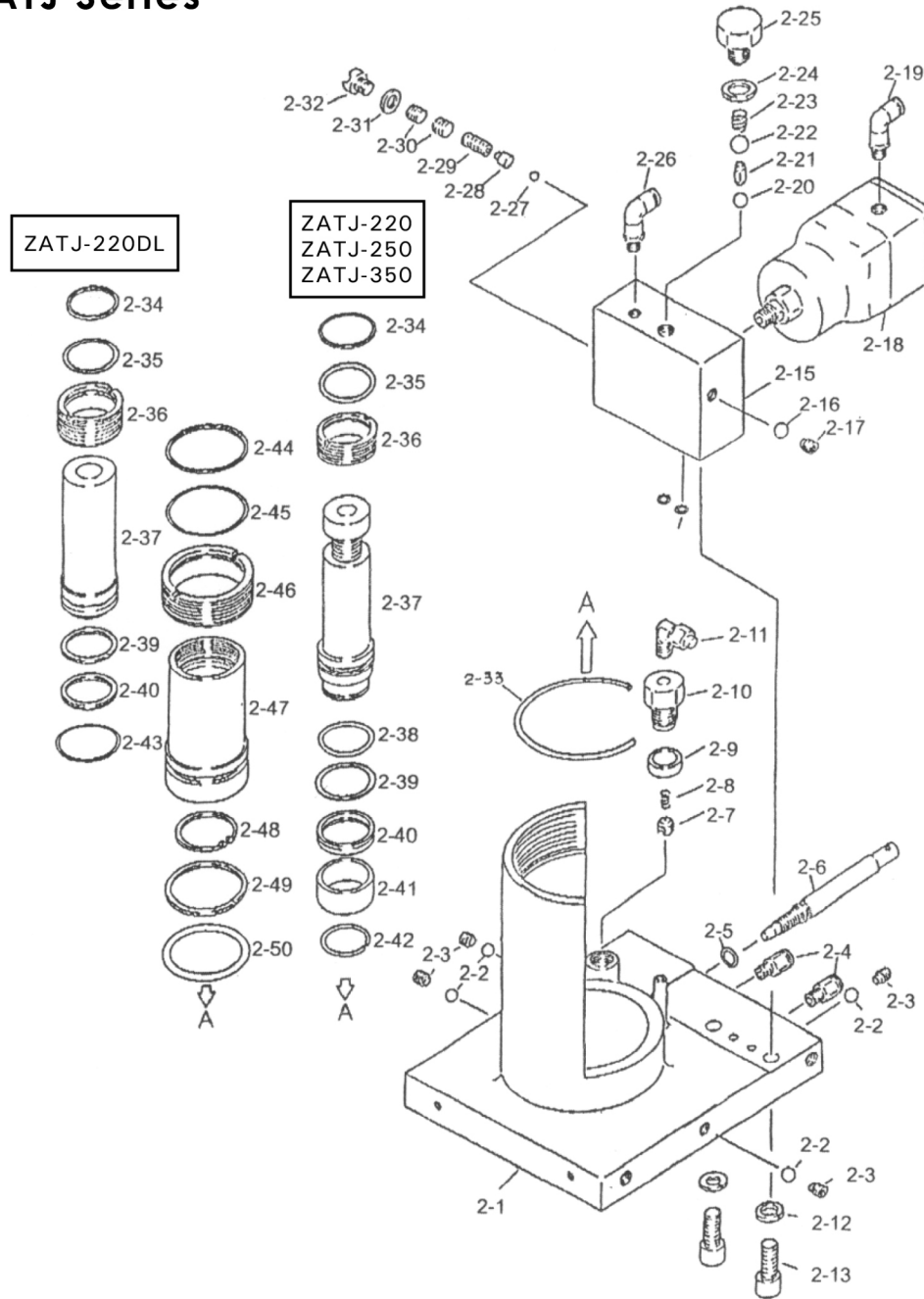
Model: ZATJ Series

Frame Assembly			
Part #	Description	Part #	Description
9060250-1-1	Frame Assy	9060250-1-59	Elbow
9060250-1-2	Cover	9060250-1-60	O-Ring
9060250-1-3	Washer	9060250-1-61	Oil Plug
9060250-1-4	Nut	9060250-1-62	Elbow
9060250-1-5	Bolt	9060250-1-63	Washer
9060250-1-6	Frame-Bottom	9060250-1-64	Bolt
9060250-1-7	Washer	9060250-1-65	Hose
9060250-1-8	Bolt	9060250-1-66	T Connector
9060250-1-9	Shaft	9060250-1-67	Hose
9060250-1-10	Screw	9060250-1-68	Hose
9060250-1-10	Nut	9060250-1-69	Hose
9060250-1-12	Wheel	9060250-1-70	Elbow
9060250-1-13	Washer	9060250-1-71	Tube
9060250-1-14	E-Ring	9060250-1-72	Adaptor Holder
9060250-1-15	Handle Socket	9060250-1-73	Adaptor-A
9060250-1-16	Hi-ten Bolt	9060250-1-74	Adaptor-B
9060250-1-17	Washer		
9060250-1-18	Nut		
9060250-1-19	Spring		
9060250-1-20	Universal Joint		
9060250-1-21	Spring Pin		
9060250-1-22	Bolt		
9060250-1-23	Handle		
9060250-1-24	Release Rod		
9060250-1-25	Knob		
9060250-1-26	Spring Pin		
9060250-1-27	Spring Washer		
9060250-1-28	Screw		
9060250-1-29	*Lever		
9060250-1-30	*Washer		
9060250-1-31	*Spring		
9060250-1-32	*Lock Ring		
9060250-1-33	*Cotter Pin		
9060250-1-34	*Cotter Pin		
9060250-1-35	Air Valve Brake		
9060250-1-36	Spring Washer		
9060250-1-37	Bolt		
9060250-1-38	Element		
9060250-1-39	Air Hose		
9060250-1-40	Nipple		
9060250-1-41	Air Valve		
9060250-1-42	Y Connector		
9060250-1-43	Elbow		
9060250-1-44	Tube		
9060250-1-45	Tube		
9060250-1-46	Tube		
9060250-1-47	I Connector		
9060250-1-48	Tube		
9060250-1-49	Tube		
9060250-1-50	Tube		
9060250-1-51	Coil Tube		
9060250-1-52	Reservoir		
9060250-1-53	Washer		
9060250-1-54	Bolt		
9060250-1-57	Filter		



Zinko Hydraulic Jack

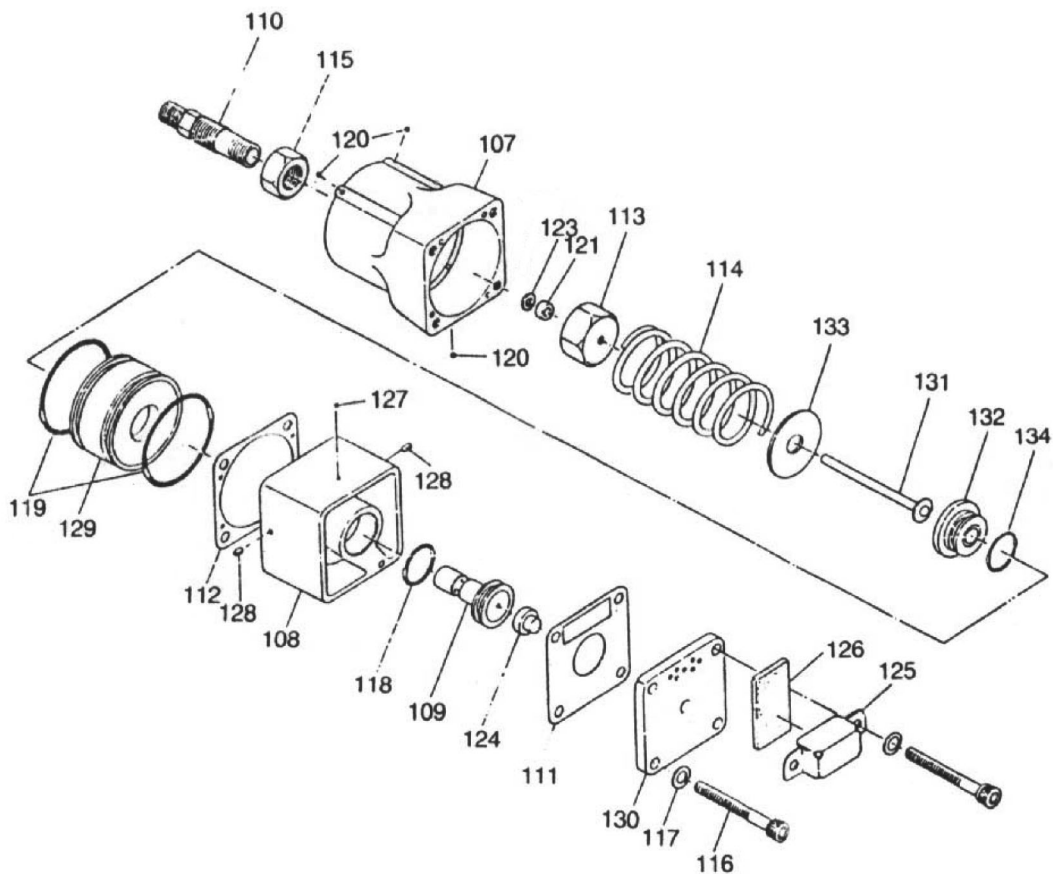
Model: ZATJ Series



Jack Assembly					
Part #	Description	Part #	Description	Part #	Description
9060250-2-1	Jack Assy	9060250-2-15	Valve Block Assy	9060250-2-29	SV Spring
9060250-2-2	Ball	9060250-2-16	Ball	9060250-2-30	SV Adj. Screw
9060250-2-3	Screw	9060250-2-17	Bolt	9060250-2-31	# SV Packing
9060250-2-4	Connector	9060250-2-18	Air Pump Assy	9060250-2-32	SV Plug
9060250-2-5	# O-Ring	9060250-2-19	Elbow	9060250-2-33	#O-Ring
9060250-2-6	Release Stem	9060250-2-20	Ball	9060250-2-34	#Dust Seal
9060250-2-7	Valve A	9060250-2-21	Piece	9060250-2-35	#O-Ring
9060250-2-8	Spring	9060250-2-22	Ball	9060250-2-36	Nut
9060250-2-9	Copper Packing	9060250-2-23	Valve Spring	9060250-2-37	Ram
9060250-2-10	Plug A	9060250-2-24	Copper Packing	9060250-2-38	#O-Ring
9060250-2-11	Elbow	9060250-2-25	Plug	9060250-2-39	#Backup Ring
9060250-2-12	Spring Washer	9060250-2-26	Elbow	9060250-2-40	#Ram Packing
9060250-2-13	Bolt	9060250-2-27	Ball	9060250-2-41	Ram Guide Spring
9060250-2-14	O-Ring	9060250-2-28	Ball Sheet	9060250-2-42	Ram Snap Ring
				9060250-106	Repair Kits (All #)

Zinko Hydraulic Jack

Model: ZATJ Series



Part #	Description	Part #	Description
9060220S-107	Cylinder	9060220S-121	*Seal Ring
9060220S-108	Valve Body	9060220S-123	*Backup Ring
9060220S-109	Valve	9060220S-124	Pilot Piston Cushion
9060220S-110	Cylinder Bolt	9060220S-125	Silent Cap
9060220S-111	*Gasket A	9060220S-126	Soundproof
9060220S-112	*Gasket B	9060220S-127	Ball
9060220S-113	Seal Nut	9060220S-128	Screw
9060220S-114	Spring	9060220S-129	Piston
9060220S-115	Nut	9060220S-130	Head Cup
9060220S-116	Cap Screw	9060220S-131	Piston Rod
9060220S-117	Spring Washer	9060220S-132	Piston Plug
9060220S-118	*O-Ring	9060220S-133	Piston Plate
9060220S-119	*O-Ring	9060220S-134	*O-Ring
9060220S-120	Ball	9060220S-RP	Repair Kits (All*)

Zinko Hydraulic Jack

Model: ZATJ Series

Troubleshooting

PROBLEM	CAUSE	SOLUTION
Air Pump will not operate.	<ol style="list-style-type: none">1. Low air pressure.2. Air outlet is frozen.3. Packing defective, switching valve defective or dirty.4. Lack of oil.	<ol style="list-style-type: none">1. Keep air pressure between 90-180 psi.2. Stop using and thaw frozen outlet.3. Contact repair station.4. Supply oil to air inlet or contact repair station.
Air Pump acts, but ram will not rise.	<ol style="list-style-type: none">1. Release valve is open.2. Lack of hydraulic oil.3. Inlet or outlet valve dirty or defective, packing defective.4. Trapped air in oil hydraulic circuit of hydraulic valve.	<ol style="list-style-type: none">1. Close valve clockwise.2. Supply oil.3. Contact repair station.4. Remove air.
Ram will not rise to highest position.	<ol style="list-style-type: none">1. Lack of oil.	<ol style="list-style-type: none">1. Supply oil.
Ram lowers.	<ol style="list-style-type: none">1. Release valve is not securely closed.2. Outlet valve dirty or defective, packing defective.	<ol style="list-style-type: none">1. Close valve clockwise.2. Contact repair station.
Ram rises slowly.	<ol style="list-style-type: none">1. Filler is loaded.2. Air pump packing defective.3. Valve not properly opened or closed.	Contact repair station.
Oil blowing from air pump.	<ol style="list-style-type: none">1. Packing defective.	Contact repair station.
Auxiliary screw or ram not lowering completely.	<ol style="list-style-type: none">1. Deformation due to overloading.	Contact repair station.
Second Ram Will Not Rise Completely (ZATJ-220DL).	<ol style="list-style-type: none">1. Overloaded.	Lower load.

If the above procedures do not correct the problem, contact your nearest **ZINKO** service facility. When submitting any jack or equipment to be repaired, be sure to state the nature of the problem and indicate whether an estimate of the repair cost is needed.



ZINKO HYDRAULIC JACK

PO Box 4903, Ontario, CA 91761

Toll Free: 1-800-579-8088

www.zinkojack.com

Phone: (909) 230-4100

Fax: (909) 230-4137