



Toll Free: 1-800-579-8088 Web: www.zinko.com

MODEL

ZTU Series

Mechanical Ratchet Jack

Operation & Maintenance Manual

Safety Information

Read and follow all WARNINGS, CAUTIONS and INSTRUCTIONS included with each product to use the product correctly and to avoid personal injury or property damage during system operation. ZINKO can not be held responsible for damage or injury resulting from unsafe use of products, lack of maintenance or incorrect system application.

Application

1. This jack applies exclusively to lifting or lowering operations. DO NOT use for any other purpose than stated above.
2. Electric driven is not available, so be sure to operate jack manually.
3. Operators shall be experienced or appointed by the supervisor.

Safety Information

Read the manual before operation to avoid personal injury or damage to equipment. Operators shall be instructed on the proper use of the jack(s) by an experienced user, or by a person who is appointed by the supervisor.

! WARNING

For Your Safety and to Prevent Injury

1. DO NOT operate jack beyond its rated capacity.
2. Remove handle bar if jack is not operated and install jack on solid base. Take care not to drop handle bar if jack is operated at a high place.
3. DO NOT use jack if damaged, altered or in poor repair.
4. DO NOT apply slant loads or shock loads to jack.
5. Pull load straight to the center of load receivable part.
6. DO NOT throw or drop jack.
7. DO NOT use jack beyond stroke limit mark on the rack (red line). If operated by force, jack gets locked and causes defect of jack.
8. DO NOT operate jack when hook touches jack body. If operated by force, "screw" gets locked causing defect of the jack.
9. Use the attached handle bar and insert it fully into the bottom part of socket until red mark of handle bar disappears. Also push ratchet liner completely.
10. Operate jack at safety position. Arrange support (fix metal) to the load after pulled off.
11. Safety shoes, gloves, helmet and clothes are recommended to protect operators.
12. This guide cannot cover every situation, so always do the job with safety in mind.

Pre-Use Inspection (preliminary check by operator)

1. Operate ratchet handle to ensure the rack goes up and down without bending.
2. Check jack visually for general condition before use.

Operating Instructions

1. General Items

- a) Handle bar must only be operated by hand.
- b) Place jack in a safe lifting area so that safe operation and adjustment of jack can be completed.
- c) Make sure that the jack's lifting capacity is appropriate for the job.
- d) Jack is designed for indoor use only and is not protected from rain or water. Shorten interval of maintenance when using outdoors or in rough conditions. Particularly take care of rust resistance of jack and supply grease prior to outdoor use. In the case of extended outdoor use or harsh conditions such as coastal use, please contact **ZINKO**.

2. Using More Than One Jack

- a) When using more than one jack, the load may tend to be applied unevenly to each jack. Be sure to select jacks that have the appropriate capacity for the job. Normally use jack not more than 50% to 70% of the rated capacity.
- b) *Instruction and sign operation* - Take care of movement of load when operating jack(s). When using more than one jack, operation order of each jack should be determined in advance to avoid any hazards.

3. How to Use

Insert handle bar into the socket of ratchet handle. When lifting, push liner of ratchet handle to "UP" position and operate handle bar. When retracting, push liner of ratchet handle to "DOWN" position and operate handle bar. Moving the handle bar up and down to desired height.

Note:

1. To speed up the lifting process, the rack can be pulled up by hand to meet the initial loading point.
2. Keep the liner at the "DOWN" position, when the jack is not been used.

Zinko Hydraulic Jack

Model: ZTU Series

Maintenance

Visual Inspection

1. **Marking Plate** - Make sure specifications and warning plate are not detached and are legible.
2. **Body and Ratchet Handle** - Make sure body and ratchet handle are not cracked or damaged.
3. **Hook** - Make sure the hook is not loosened or cracked at load receiving parts. Check hooks for any other harmful damage.
4. **Ram and Key** - Check the ram and key for harmful score at sliding parts, or for any other damage.
5. **Bolts** - Make sure bolts and set screw are not loosened.

Operation

1. **Ratchet Handle** - Make sure that there is proper engagement and function of ratchet wheel and plungers.
2. **Screw Thread** - Check for excessive wear and damage, and no backlash on jack.
3. **No Load Operation** - Make sure there is no unusual function for ram and pinion. If ram and pinion is malfunctioning, bring the jack to supplier for disassembly.

Notes

1. **Pre-Use Check:** a) By operator without records. b) Every time prior to operation.
2. **Regular Check:** a) By an appointed person in charge of making records of apparent external condition to provide the basis for continuing evaluation. b) Do regular checks on a fixed date depending on the frequency of use:

Rare Frequency of Use (monthly use).....once every three months
Frequent Use (weekly use)..... once a month
Outdoor Use or Harsh Conditions..... once a week

3. If external conditions indicate possible internal difficulty, contact your dealer.

Lubrication (grease supply)

Eliminate dust from friction part or rotating part of jack and supply grease regularly to remove dust.

NOTE: Use Daphne Eponex Grease EP.No.1 or equivalent.

1. Remove part#60 to supply grease for lubricating the internal parts.
2. Supply grease to rotary part of ratchet wheel & rack.
3. Supply grease to shaft part of ratchet liner.

Cleaning

Jacks exposed to rain, sand, or in the middle of a cloud of dust must be cleaned prior to use. Jack operating handle bar and load-bearing surfaces should be free of slippery material or fluids.

Storage

Jack should be stored where it will be protected from the elements, abrasive dust, and damage.

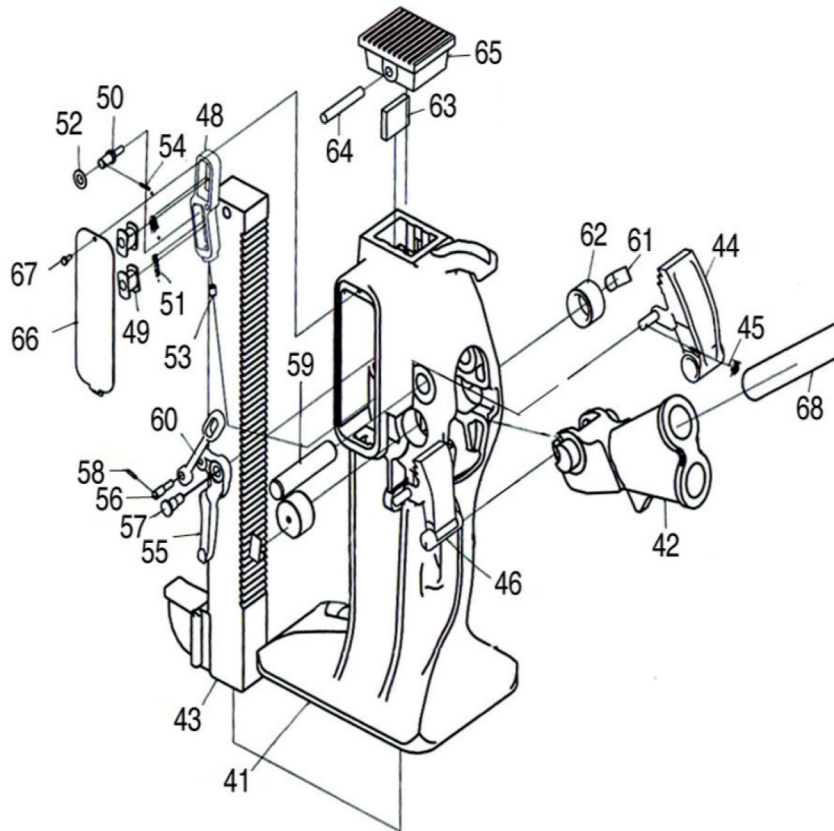
WARRANTY:

We warrant our products for one year after shipment. In case defects arise from our workmanship and materials for which we found to be responsible, we will replace with a new one or provide free replacement of parts to you. However, we are not responsible for damage and injury consequential or indirect, which are caused by unsafe use, wrong use, incomplete maintenance, improper repairing, modification, natural calamity and improper applications.

Zinko Hydraulic Jack

Model: ZTU Series

Parts Breakdown



No.	Description
41	Main Body
42	Handle Socket
43	Rack
44	Upper Pawl
45	Split Pin
46	Lower Pawl
48	Spring Guide A
49	Spring Guide
50	Pin
51	Spring
52	Washer
53	Set Screw
54	Split Pin
55	Change Lever
56	Lever Pin
57	Lever Pin B
58	Split Pin
59	Bush
60	Arm
61	Key
62	Pin for Upper Pawl
63	Spacer
64	Head Pin
65	Head
66	Cover
67	Machine Screw
68	Handle



ZINKO HYDRAULIC JACK

PO Box 4903, Ontario, CA 91761

Toll Free: 1-800-579-8088

www.zinkojack.com

Phone: (909) 230-4100

Fax: (909) 230-4137