



Toll Free: 1-800-579-8088 Web: www.zinko.com

MODEL

ZSJ-H Series

3 - 10 Ton Heavy-Duty Service Jacks

Operating Instructions & Repair Parts List

Operation

The owner and/or operator shall have an understanding of these operating instructions and warnings before operating the jack. Warning information shall be emphasized and understood. If the operator is not fluent in English, the instructions and warning shall be read to and discussed with the operator in the operator's native language by the purchaser/owner, making sure that the operator comprehends its contents.

Operator Responsibility

It is the operator's responsibility to read and understand all of the following safety statements:

⚠ WARNING

1. This is designed for lifting vehicles and not for any other purpose.
2. The vehicle owner's manual should be consulted prior to jacking up of a vehicle.
3. Jack **MUST BE USED ON SOLID, LEVEL GROUND**. The wheels of the vehicle must be in a parallel position.
4. **NO PERSON SHOULD REMAIN IN A VEHICLE THAT IS BEING JACKED UP.**
5. When lifting a vehicle, be sure to place the center of the jack saddle right on the axle.
6. After lifting a vehicle, **BE SURE TO PLACE SAFETY STANDS UNDER THE AXLES.**
7. **NO PERSON SHOULD BE UNDER A VEHICLE THAT IS SUPPORTED ONLY BY A JACK.**
8. **NEVER MOVE THE JACK WHILE IT IS SUPPORTING A VEHICLE.**
9. When lowering a vehicle, make sure nobody is near or under the vehicle. Slowly lower vehicle with special attention to the position of the jack saddle.
10. Safety valve is factory adjusted and no further adjustment is required.
11. While not in use, always keep the handle straight up and locked so that it won't fall.
12. Fully release hand brake before lifting vehicle.

Operating Instructions

Before Using the Jack

1. Insert the handle fully into handle socket and securely tighten the thumb screw on the socket.
2. Open the release valve by turning the release valve control knob counterclockwise. Pump the handle about 6 full strokes to let the air out of the hydraulic system. Close the release valve by rotating the release valve control knob clockwise. Pump the handle up to the full extension of the jack. Lower the jack by opening the release valve.

NOTE: If the jack does not immediately respond to pump action, repeat step 2 above.

To Use the Jack

1. To raise the vehicle, close the release valve by turning the handle clockwise as far as it will go. Carefully position the jack under the vehicle. Pump the jack handle to lift the vehicle to desired height.
2. To lower the vehicle, slowly and carefully rotate the release valve control knob counterclockwise. Descending speed can be controlled by slowly opening (faster) or closing (slower) the release valve.
3. When the jack is transported, the handle may be removed and carried separately.

Maintenance and Cares

CHECK POINTS	CHECK ITEM	REMARKS
Arm	Functional condition - pump the jack to its full lifting height with no load. Then check for smooth action of the lift arm.	Lubricate pin and functional portions. Replace distorted or damaged parts.
Front Wheel	Functional condition.	Lubricate functional portion. Replace damaged or worn-out parts.
Rear Wheel	Functional condition.	Lubricate functional portion. Replace damaged or worn-out parts. Tighten loose bolts securely.
Power Unit	Proper oil level. Oil leakage.	Supply oil if necessary (replace oil in the reservoir at least once a year). Replace packing.
Handle	Functional condition and loose.	Lubricate pin and functional portions. Tighten loose bolts securely. Replace damaged parts.

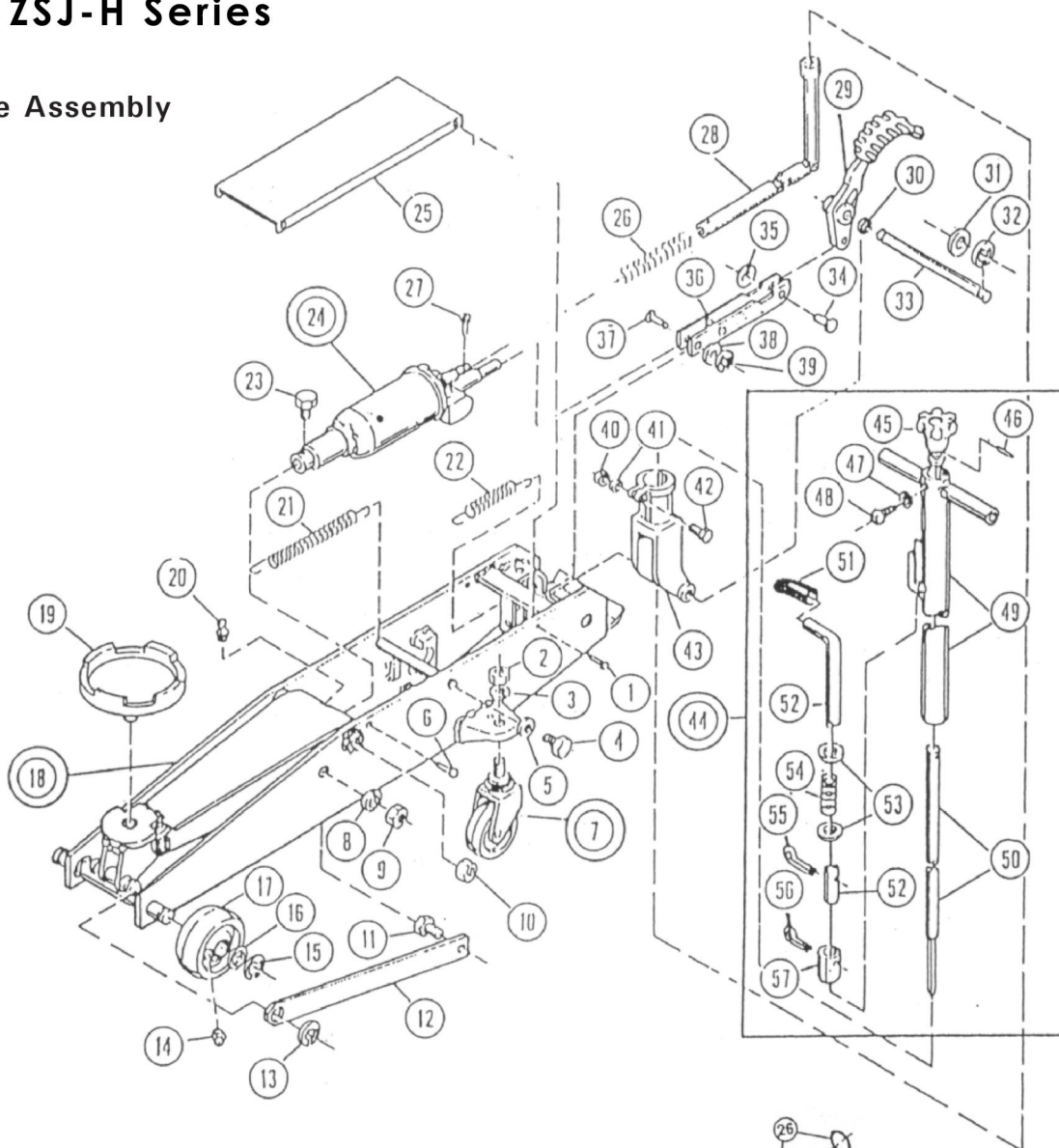
NOTE: 1) Oil for functional portion: lubricating oil.

2) Oil for jack: bearing oil AW 32. Never use brake fluid or any other high viscosity or volatile oil.

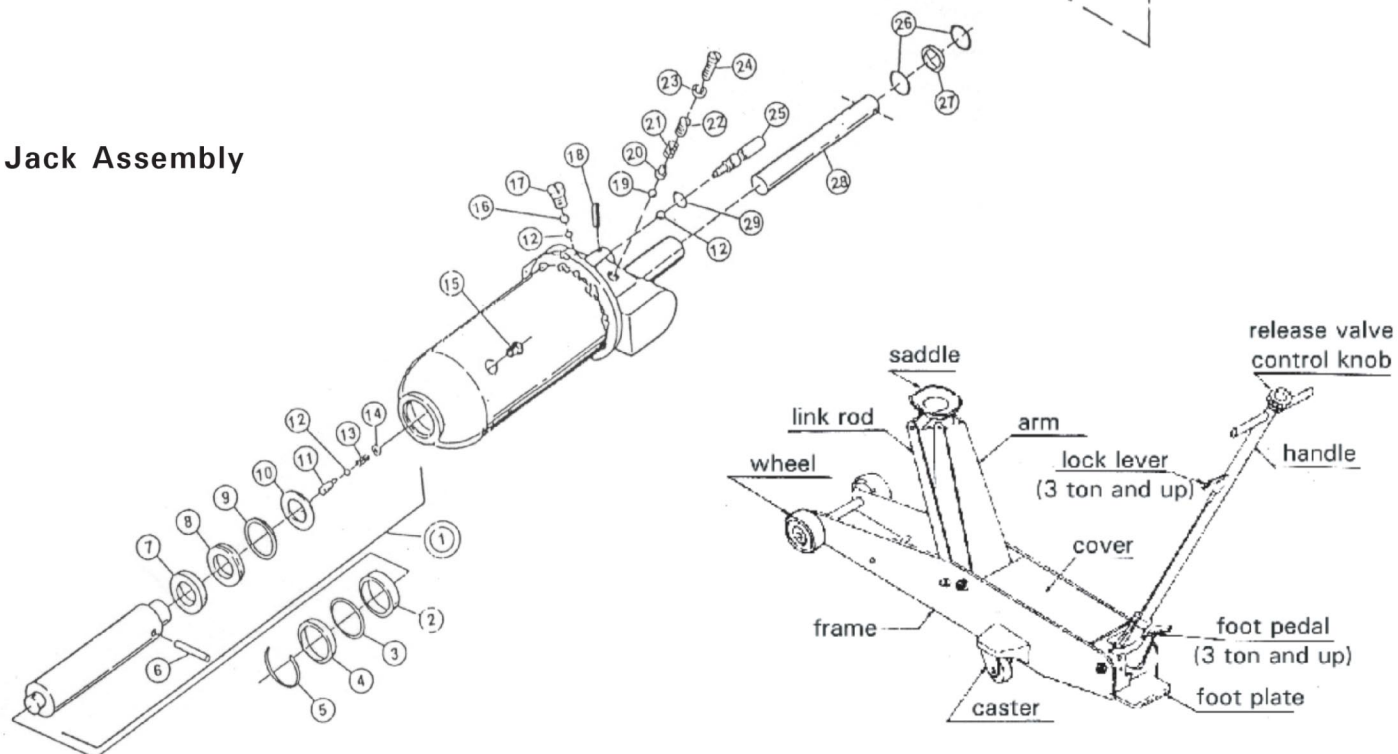
Zinko Hydraulic Jack

Model: ZSJ-H Series

Frame Assembly



Jack Assembly



Zinko Hydraulic Jack

Model: ZSJ-H Series

Frame Assembly

#	DESCRIPTION	ZSJ-30H 9040030-	ZSJ-50H 9040050-	ZSJ-100H 9040100-
01	Rivet	01	01	01
02	Nut	02	02	02
03	Spring Washer	03	03	03
04	Bolt	04	04	04
05	Spring Washer	05	05	05
06	Screw	06	06	06
07	Rear Wheel Assy	07	07	07
08	Spring Washer	03	03	03
09	Nut	09	09	09
10	Nut	09	09	09
11	Link Rod Bolt	10	10	10
12	Link Rod	12	12	12
13	Stopper Ring	13	13	13
14	Grease Nipple	14	14	14
15	Stopper Ring	13	13	13
16	Front Collar	16	16	16
17	Front Wheel	17	17	17
18	Frame & Lift Arm Assy	18	18	18
19	Saddle	19	19	19
20	Grease Nipple	20	20	20
21	Return Spring	21	21	21
22	Pedal Spring	22	22	22
23	Bolt	23	23	23
24	Power Unit Assy	24	24	24
25	Cover	25	25	25
26	Spring	26	26	26
27	Bolt	04	04	04

#	DESCRIPTION	ZSJ-30H 9040030-	ZSJ-50H 9040050-	ZSJ-100H 9040100-
28	Universal Joint	28	28	28
29	Pedal Spring	29	29	29
30	Dry Bearing	30	30	30
31	Washer	31	31	31
32	E-Ring	32	32	32
33	Shaft	33	33	33
34	Link Pin	34	34	34
35	Push Nut	35	35	35
36	Link	36	36	36
37	Pump Plunger Pin	37	37	37
38	Washer	31	31	31
39	Stopper Ring	39	39	39
40	Nut	09	09	09
41	Washer	31	31	31
42	Bolt	04	04	04
43	Handle Socket	43	43	43
44	Handle Assy	44	44	44
45	Grip	45	45	45
46	Spring Pin	46	46	46
47	Spring Washer	08	08	08
48	Screw	06	06	06
49	Handle	49	49	49
50	Release Rod	50	50	50
51	Tube	51	51	51
52	Lever	52	52	52
53	Washer	31	31	31
54	Lock Spring	54	54	54
55	Cotter Pin	55	55	55
56	Cotter Pin	55	55	55
57	Lock Pin	57	57	57

Jack Assembly

#	DESCRIPTION	ZSJ-30H. 9040030-	ZSJ-50H 9040050-	ZSJ-100H 9040100-
01	Ram Assy	P01	P01	P01
02	Stopper Ring	P02	P02	P02
03	Cylinder O-ring	P03	P03	P03
04	Stuffing Ring	P04	P04	P04
05	Snap Ring	P05	P05	P05
06	Horizontal Pin	P06	P06	P06
07	Packing Seat	P07	P07	P07
08	*Back Up Ring			
09	*Ram O-Ring			
10	Ram O-Ring Stopper	P10	P10	P10
11	Vertical Pin	P11	P11	P11
12	Ball	P12	P12	P12
13	Ram Spring	P13	P13	P13
14	Ram Spring Stopper	P14	P14	P14
15	*Oil Plug			

#	DESCRIPTION	ZSJ-30H. 9040030-	ZSJ-50H 9040050-	ZSJ-100H 9040100-
16	Ball	P16	P16	P16
17	Plug	P17	P17	P17
18	Spring Pin	P18	P18	P18
19	Ball	P19	P19	P19
20	Ball Seat	P20	P20	P20
21	Spring	P21	P21	P21
22	Safety Valve Plug	P22	P22	P22
23	*Packing			
24	Safety Valve Plug	P24	P24	P24
25	Release Stem	P25	P25	P25
26	*Pump O-Ring			
27	*Back Up Ring			
28	Pump Plunger	P28	P28	P28
29	*O-Ring			
	Repair Kit (All * Above)	RP	RP	RP

Zinko Hydraulic Jack

Model: ZSJ-H Series

WARNING

1. **USE THE JACK FOR LOADING UNDER RATED CAPACITY ONLY.** Do not overload, otherwise a dangerous situation may arise.
2. The jack should be used for lifting the car to change the tires only. **SUPPORT A LOAD WITH JACK STANDS ONCE THE LOAD HAS BEEN LIFTED. STAY CLEAR OF LIFTED LOADS.**
3. Center the load on the jack saddle. Off center loads can damage the seals causing jack failure.
4. **LIFT ONLY DEAD WEIGHT.**
5. **JACK IS TO BE USED BY PROFESSIONAL PERSONNEL ONLY.** To prevent dangerous situations that may occur, use by non-professional personnel is not recommended, especially children.

Troubleshooting

PROBLEM	POSSIBLE CAUSE	SOLUTION
Jack Will Not Lift	1) Release valve not properly closed. 2) No oil in the system. 3) Delivery valve and/or bypass valve malfunctioning (valve ball not properly seated). 4) Packing worn out or defective.	1) Tighten securely. 2) Fill to prescribed level. 3) Clean to remove dirt or foreign matter and replace oil. 4) Replace packing.
Jack Lifts Only Part Way	1) Oil level low or too high.	1) Fill or take excessive oil out.
Jack Lifts, But Will Not Hold Load	1) Either of the following valves not functioning: a) suction valve, b) delivery valve, c) release valve, d) bypass valve. 2) Packing worn out or defective.	1) Inspect valves. Clean and adjust seat surface. 2) Replace packing
Jack Will Not Lower	1) Release valve not opening.	1) Clean and adjust release valve.
Poor Lifting	1) Pump packing defective or valves malfunctioning. 2) Dirty oil. 3) Air in hydraulic system.	1) Replace packing and/or clean valves. 2) Replace oil. 3) Purge air from system.
Jack Will Not Lower Completely	1) Piston rod bent or marred. 2) Jack spring damaged. 3) Linksection warped or deformed due to possible overloading.	1) Replace piston rod. 2) Replace spring. 3) Replace the damaged parts.

If the above procedures do not correct the problem, contact your nearest **ZINKO** service facility. When submitting any jack or equipment to be repaired, be sure to state the nature of the problem and indicate whether an estimate of the repair cost is needed.



ZINKO HYDRAULIC JACK

PO Box 4903, Ontario, CA 91761

Toll Free: 1-800-579-8088

www.zinkojack.com

Phone: (909) 230-4100

Fax: (909) 230-4137