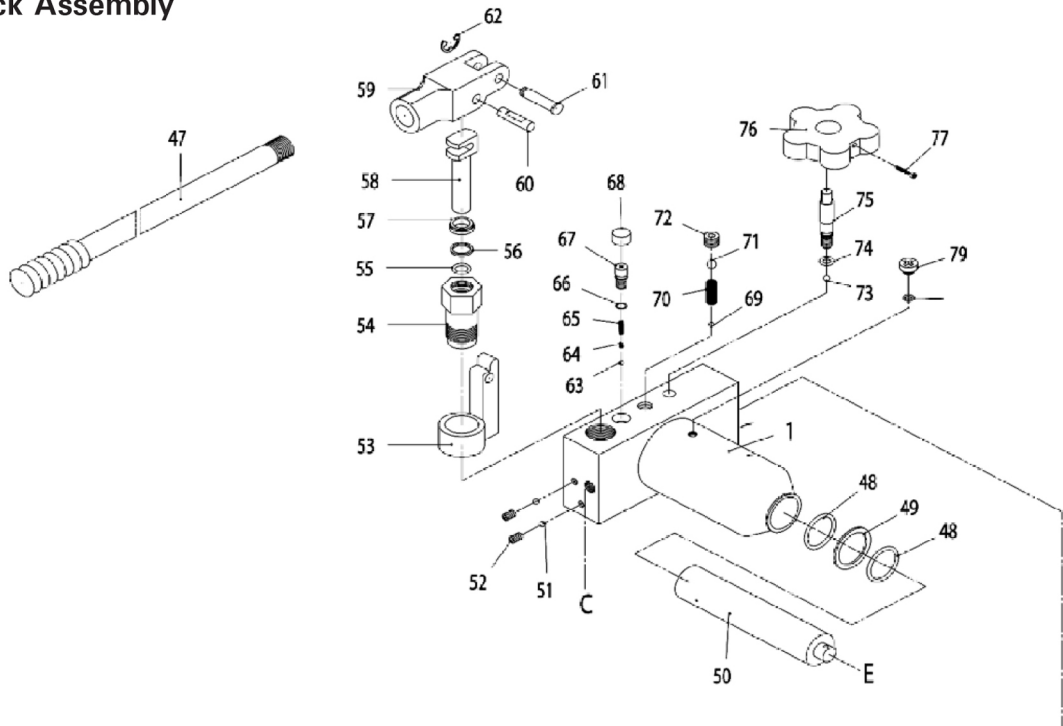
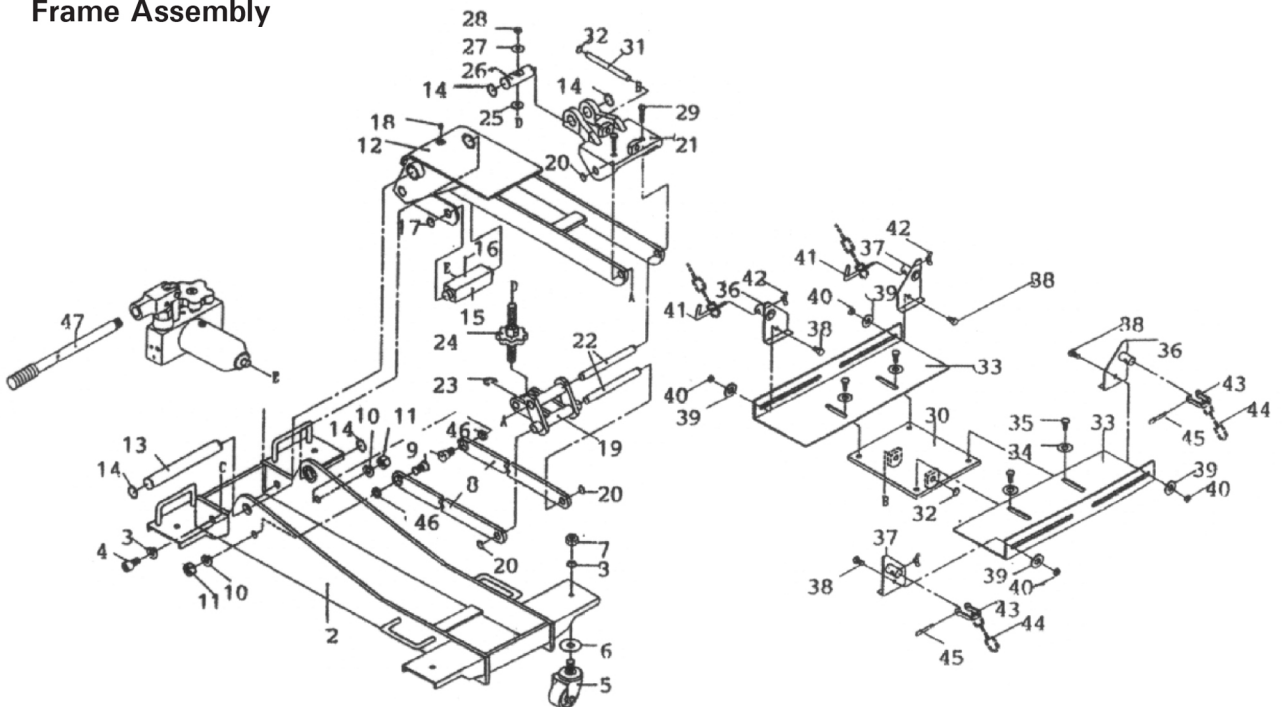


### Jack Assembly



### Frame Assembly





# ZM-500T / ZM-1000T Parts Breakdown

Toll Free: 1-800-579-8088 Web: [www.zinko.com](http://www.zinko.com)

REV 060116 page 2 of 2

### Jack Assembly

Part #	Description
9150005T-01	Complete Hyd Block Assy
9150005T-47	Handle
9150005T-48	*Oil Seal
9150005T-49	*Backup Ring
9150005T-50	Cylinder
9150005T-51	Steel Ball
9150005T-52	Hex Fill Screw
9150005T-53	Handle Support
9150005T-54	Pump Cylinder
9150005T-55	*Oil Seal
9150005T-56	*Backup Ring
9150005T-57	*Dust Cap

Part #	Description
9150005T-58	Piston
9150005T-59	Handle Socket
9150005T-60	Pin
9150005T-61	Pin
9150005T-62	E-Snap
9150005T-63	*Steel Ball
9150005T-64	*Nipple
9150005T-65	*Spring
9150005T-66	*Oil Seal
9150005T-67	*Adjusting Screw
9150005T-68	*Plastic Cap
9150005T-69	*Steel Ball

Part #	Description
9150005T-70	*Spring
9150005T-71	*Steel Ball
9150005T-72	*Hex Fill Screw
9150005T-73	*Steel Ball
9150005T-74	*Oil Seal
9150005T-75	Release Valve
9150005T-76	Grip
9150005T-77	Hex Fill Screw
9150005T-78	*Oil Seal
9150005T-79	*Oil Plug
9150005T-RP	Seal Kits (All * Above)

### Frame Assembly

#	Description
1	Jack Unit Complete
2	Frame Assembly
3	Lock Washer
4	Oil Block Mtng Screw
5	Caster Wheel Assy
6	Washer
7	Caster Nut
8	Guide Arm
9	Guide Arm Bolt
10	Guide Arm Washer
11	Guide Arm Assy
12	Elevator Arm Assy

#	Description
13	Arm Pivot Pin
14	Retaining Ring
15	Trunion
16	Trunion Cotter Pin
17	Trunion Retaining Ring
18	Grease Fitting
19	Saddle Base Support
20	Elevator Arm Snap Ring
21	Saddle Base
22	Guide Arm Pin
23	E-Ring
24	Front/Back Tilt Screw

#	Description
25	Bushing
26	Trunion
27	Washer
28	Hex Nut
29	Side Tilt Screw
30	Flat Plate
31	Guide Arm Pin
32	Snap Ring
33	Saddle Angle 1
34	Washer
35	Screw
36	Saddle Angle 2

#	Description
37	Saddle Angle 3
38	Screw
39	Washer
40	Nut
41	Hook Bolt
42	Wing Nut
43	Shackle
44	Chain
45	Shackle Bolt
46	Bushing
47	Handle