



Toll Free: 1-800-579-8088 Web: www.zinko.com

MODEL

ZM-500T / ZM1000T

Low Profile Transmission Jack

Operation & Maintenance Manual

Important Receiving Instructions

Visually inspect all components for shipping damage. Shipping damage is NOT covered by warranty. If shipping damage is found, notify carrier at once. The carrier is responsible for all repairs and replacement costs during product shipping.

For Your Safety and To Prevent Injury

Read, study and understand all warning labels and operating instructions furnished with this equipment prior to use. If any portion of this material is unclear, contact your representative for clarification. Never allow unskilled or improperly trained personnel to operate this equipment. Use of the transmission jack is limited to the removal and installation of transmissions, transaxles and vehicle components for which appropriate adapters are supplied. DO NOT lift or support vehicles with transmission jack.

Caution Remarks Used In This Manual

WARNING indicates a potential danger that requires correct procedures or practices to avoid personal injury.

Operator Responsibility

It is the operator's responsibility to read and understand all of the following safety statements:

WARNING

1. Be sure vehicle is appropriately supported before starting repairs. **This jack IS NOT a load supporting device.**
2. **DO NOT OVERLOAD.** Overloading can cause damage, failure of the jack, and/or personal or fatal injury.
3. **Use only on hard level surfaces capable of sustaining the load.**
4. Always use the load restraint belt, corner support bracket, and attachments to stabilize and firmly secure the load to the saddle. Insure that the load restraint belt is tight and properly positioned to effectively harness the load. **NEVER USE THIS JACK WITHOUT A LOAD RESTRAINT BELT THAT IS STRONG ENOUGH TO SUPPORT THE TRANSMISSION.**
5. Prior to transporting the load, insure that the jack is adjusted so the saddle is in the lowest horizontal position possible, and the load is centrally located on the saddle.
6. **DO NOT modify this equipment or remove load restraint belt.**
7. It is your responsibility to keep all warning labels and instruction literature legible and intact. Replacement labels and literature are available from the factory.
8. Failure to heed these warnings may result in equipment and/or property damage and/or personal or fatal injury.

Operating Instructions

Preparing the Vehicle for Transmission Removal or Installation

WARNING The entire vehicle must be lifted and supported (use underhoist stands) high enough above the floor so there is space for the jack with transmission to clear the vehicle.

IMPORTANT: It is important to know the center weight balance of the transmission. The transmission saddle should support the center balance of the transmission weight. Consult the vehicle manufacturer for information on the transmission.

WARNING USE ALL THE PRECAUTIONARY MEASURES GIVEN BY THE ABOVE GROUND LIFT MANUFACTURER TO SECURE, SUPPORT, AND LIFT THE VEHICLE TO ITS REQUIRED HEIGHT.

Setup

The first time the jack is used, remove the shipping oil plug and install the vented plug.

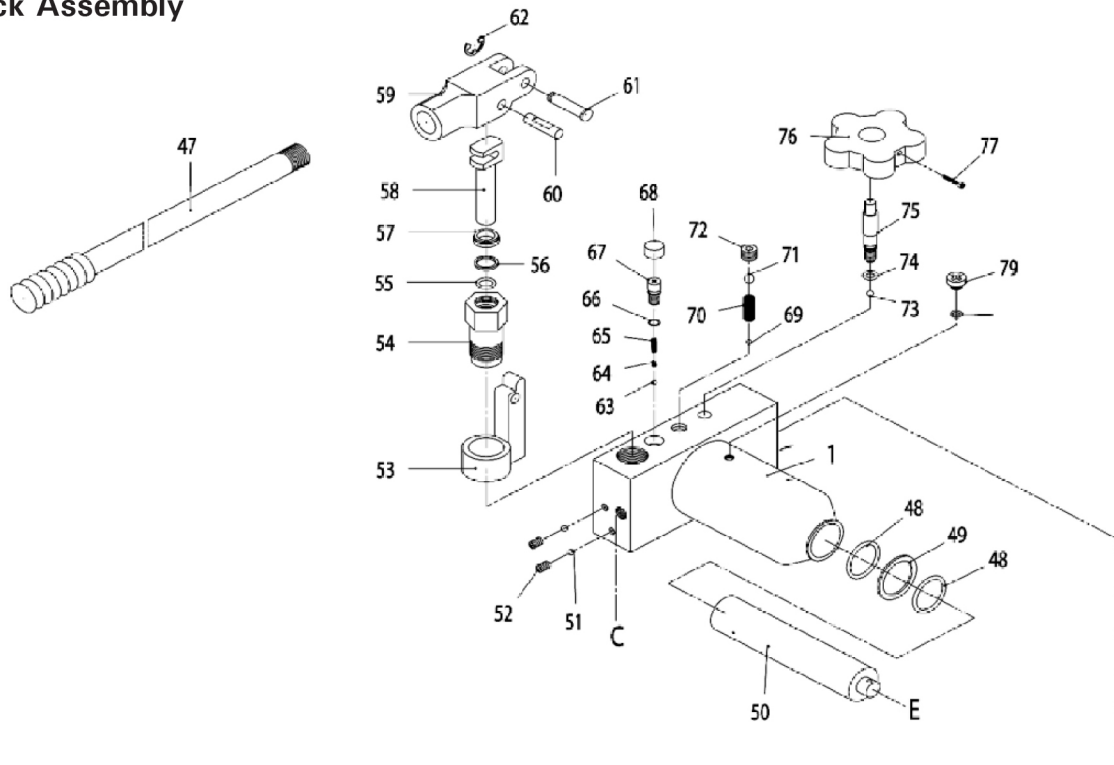
Jack Operation

1. Position the jack under the transmission.
2. Close the control valve. Operate the pump handle to raise the boom and align the mounting plate with the transmission.
3. Remove the transmission according to the instructions in the vehicles service manual.
4. Position the transmission on the mounting plate, resting against the angle plates. **a)** the mounting plate may be tilted forward and backward by turning the tilt knob. **b)** the mounting plate may be tilted side-to-side by adjusting the two vertical hex screw.
5. Secure the transmission to the mounting plate.
6. Lower the load by slowly opening the control valve. The control valve regulates how fast the boom is lowered.

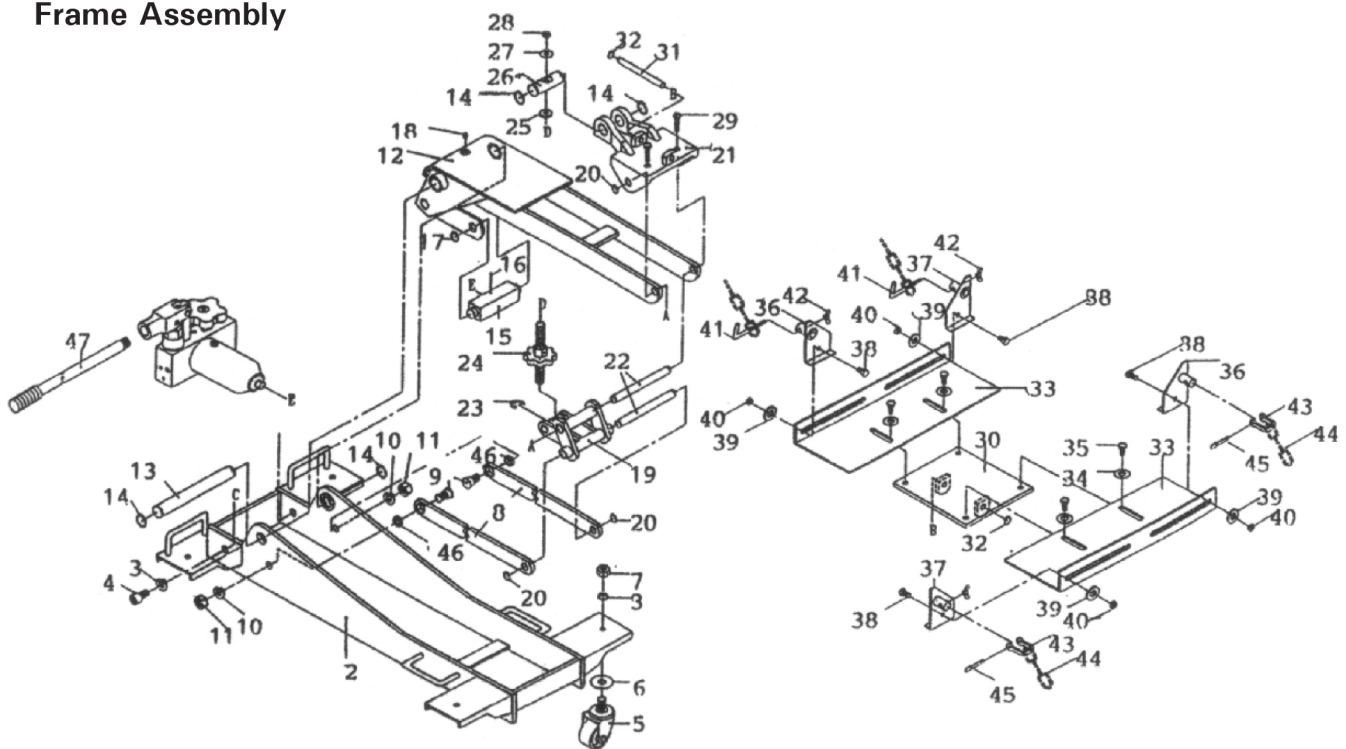
Zinko Hydraulic Jack

Model: ZM-500T / ZM-1000T

Jack Assembly



Frame Assembly



Zinko Hydraulic Jack

Model: ZM-500T / ZM-1000T

Jack Assembly

Part #	Description
1	Hydraulic Block Assy (Complete)
47	Handle
48	*Oil Seal
49	*Backup Ring
50	Cylinder
51	Steel Ball
52	Hex Fill Screw
53	Handle Support
54	Pump Cylinder
55	*Oil Seal
56	*Backup Ring
57	*Dust Cap

Part #	Description
58	Piston
59	Handle Socket
60	Pin
61	Pin
62	E-Snap
63	*Steel Ball
64	*Nipple
65	*Spring
66	*Oil Seal
67	*Adjusting Screw
68	*Plastic Cap
63	*Steel Ball

Part #	Description
70	*Spring
71	*Steel Ball
72	*Hex Fill Screw
73	*Steel Ball
74	*Oil Seal
75	Release Valve
76	Grip
77	Hex Fill Screw
78	*Oil Seal
79	*Oil Plug
RP	Repair Kits (All *)

Frame Assembly

#	Description
1	Jack Unit Complete
2	Frame Assembly
3	Lock Washer
4	Oil Block Mtng Screw
5	Caster Wheel Assy
6	Washer
7	Caster Nut
8	Guide Arm
9	Guide Arm Bolt
10	Guide Arm Washer
11	Guide Arm Assy
12	Elevator Arm Assy

#	Description
13	Arm Pivot Pin
14	Retaining Ring
15	Trunion
16	Trunion Cotter Pin
17	Trunion Retaining Ring
18	Grease Fitting
19	Saddle Base Support
20	Elevator Arm Snap Ring
21	Saddle Base
22	Guide Arm Pin
23	E-Ring
24	Front/Back Tilt Screw

#	Description
25	Bushing
26	Trunion
27	Washer
28	Hex Nut
29	Side Tilt Screw
30	Flat Plate
31	Guide Arm Pin
32	Snap Ring
33	Saddle Angle 1
34	Washer
35	Screw
36	Saddle Angle 2

#	Description
37	Saddle Angle 3
38	Screw
39	Washer
40	Nut
41	Hook Bolt
42	Wing Nut
43	Shackle
44	Chain
45	Shackle Bolt
46	Bushing
47	Handle

Troubleshooting

*Repair procedures must be performed in a dirt-free environment by qualified personnel who are familiar with this equipment.

Problem	Solution
1) Will Not Lift to Full Height 2) Will Not Lower Completely	Reservoir could be overfilled. With jack upright: remove filler plug, open release and SLOWLY push jack ram into lowered position. Any excess oil will run out fill hole. Replace filler plug when oil has stopped flowing.
1) Will Not Lift Load 2) Will Not Lift to Full Height 3) Pump Feels "Spongy" Under Load	The jack could be low on oil. With jack in upright position and ram fully lowered, remove filler plug and fill reservoir with CLEAN hydraulic jack oil (correct oil level is reached when oil level is at bottom edge of fill hole). The jack could be "air-bound". Open the release valve one full turn and pump the handle vigorously. Close the release valve and pump to full height. Continue pumping several times at full height. Open the release valve and push ram down into lowered position. Close release valve and operate normally.
Jack Lifts Load, But Doesn't Hold	The cylinder packing could be leaking. Replace the power unit. Valve not working correctly. Inspect valves. Clean and repair seat surfaces.
Jack Leaks Oil	Worn or damaged seals. Replace power unit.
Jack Will Not Retract	Release valve is closed. Open or clean release valve.
Jack Retracts Slowly	Cylinder damaged internally. Send jack to ZINKO authorized service center for repair. Link section is binding. Lubricate link section.

Zinko Hydraulic Jack

Model: **ZM-500T / ZM-1000T**

Maintenance Instructions

1. Store the jack in a well protected area where it will not be exposed to corrosive vapors, abrasive dust, or any other harmful elements.
2. Lubricate the jack regularly. A medium weight lubricating grease should be used on all external moving parts, such as bearing surface, pivot points, tilt screws, etc.
3. Replace the oil in the reservoir at least once per year. To check the oil level, place the jack on level ground and lower the lift arm completely. Remove the oil filter plug. The oil level should be within 3/8" of the filter plug hole. If necessary, add approved anti-wear hydraulic jack oil and install the filler plug again. **IMPORTANT: The use of alcohol, hydraulic brake fluid, detergent motor oil, or transmission oil could damage the seals and result in jack failure.**
4. If the jack fails to operate, check oil level and/or bleed unit before seeking service.
5. DO NOT use this jack as a wash rack when washing or steam cleaning transmissions.



ZINKO HYDRAULIC JACK

PO Box 4903, Ontario, CA 91761

Toll Free: 1-800-579-8088

www.zinkojack.com

Phone: (909) 230-4100

Fax: (909) 230-4137