

TWO POST

BASE PLATE LIFT

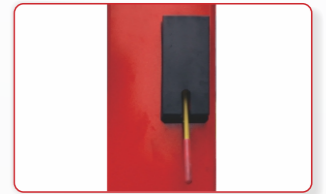
AMGO BP series baseplate two post lifts are stronger and more convenient to operate than most of the lifts in the world.

BP-9



Main Features

- ✓ 9,000 lbs capacity, commercial grade 2-post base plate lift is designed and built for any professional shops and home garages to fit low ceiling workshop environment without overhead obstructions.
- ✓ Single-point safety release allows the operator to unlock the safety locks from both columns simultaneously. There is also a dual locking system for additional safety.
- ✓ 4 three-stage arms are suitable for more vehicles.
- ✓ Automatic arm restraints keep the arms locked in their proper positions.
- ✓ Self-lubricating UHMW Polyethylene sliders and bronze bush.
- ✓ Aircraft quality cable is used for synchronization.
- ✓ Stackable rubber pads with 1.5" and 2.5" extension adapters.
- ✓ Detachable foot guard and tool tray



Single-point safety release makes it easier for operators to unlock both column locks from one column.



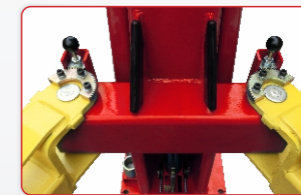
The chain protection cover prevents the chain from slipping off.



Optional base plate.
Kits No.: 20801



Optional LED lights for all floor plate two post lift.
Kits No.: 201102

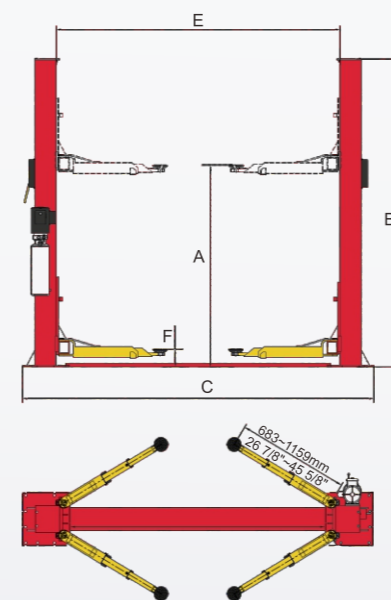


Automatic arms restraints and release.



4 three-stage arms to fit more vehicles.

SPECIFICATIONS



Model	BP-9	
Lifting Capacity	9,000lbs (4000kg)	
Lifting Time	45S	
Lifting Height	A	71 1/2"~75 1/2" (1815~1917mm)
Overall Height	B	108" (2742mm)
Overall Width	C	131 7/8" (3350mm)
Drive-Thru Clearance	D	99" (2513mm)
Width Between Columns	E	109 1/2" (2780mm)
Minimum Pad Height	F	3 1/2" (90mm)
Gross Weight	1,375lbs (624kg)	
Motor	2.0HP,220V/60Hz,single phase	

AMGO HYDRAULIC CORPORATION

1931 Joe Rogers Jr Blvd, Manning, SC 29102, USA
Tel: (803)505-6410 www.amgohyd.com