



1645 Lemonwood Dr.
Santa Paula, CA 93060 USA
Toll Free: (800) 253-2363
Tel: (805) 933-9970
rangerproducts.com

2-Ton Long-Reach Floor Jack

Installation and Operation Manual

Manual P/N 5900387 — Manual Revision B2 — May 2020

Model:

- RFJ-2TX



Designed and engineered by BendPak Inc. in Southern California, USA. Made in China.

 **DANGER**

Read the *entire contents* of this manual *before* using this product. Failure to follow the instructions and safety precautions in this manual can result in serious injury or death. Make sure all other operators also read this manual. Keep the manual near the product for future reference. *By proceeding with setup and operation, you agree that you fully understand the contents of this manual and assume full responsibility for product use.*

Manual. RFJ-2TX Floor Jack, *Installation and Operation Manual*, Manual P/N 5900387, Manual Revision B2, Released May 2020.

Copyright. Copyright © 2020 by BendPak Inc. All rights reserved. You may make copies of this document if you agree that: you will give full attribution to BendPak Inc., you will not make changes to the content, you do not gain any rights to this content, and you will not use the copies for commercial purposes.

Trademarks. BendPak, the BendPak logo, Ranger, and the Ranger logo are registered trademarks of BendPak Inc. All other company, product, and service names are used for identification only. All trademarks and registered trademarks mentioned in this manual are the property of their respective owners.

Limitations. Every effort has been made to use complete and accurate instructions in this manual. However, product updates, revisions, and/or changes may have occurred since this manual was published. BendPak Ranger reserves the right to change any information in this manual without incurring any obligation for equipment previously or subsequently sold. BendPak Ranger is not responsible for typographical errors in this manual. Feel free to contact us at any time to get the latest information about any product: rangerproducts.com.

Warranty. The BendPak Ranger warranty is more than a commitment to you: it is also a commitment to the value of your new product. For full warranty details, contact your nearest BendPak Ranger dealer or visit bendpak.com/support/warranty. Go to bendpak.com/support/register-your-product/ and fill out the online form to register your product (be sure to click **Submit**).

Safety. Your new product was designed and manufactured with safety in mind. Your safety also depends on proper training and thoughtful operation. Do not set up, operate, maintain, or repair the unit without reading and understanding this manual and the labels on it; ***do not use this product unless you can do so safely!***

Owner Responsibility. In order to maintain your product properly and to ensure operator safety, it is the responsibility of the product owner to read and follow these instructions:

- Follow all installation, operation, and maintenance instructions.
- Make sure product setup conforms to all applicable local, state, and federal codes, rules, and regulations, such as state and federal OSHA regulations.
- Read and follow all safety instructions. Keep them readily available for operators.
- Make sure all operators are properly trained, know how to safely operate the unit, and are properly supervised.
- Do not operate the product until you are certain that all parts are in place and operating correctly.
- Carefully inspect the product on a regular basis and perform all maintenance as required.
- Service and maintain the unit only with approved replacement parts.
- Keep the manual with the product and make sure all labels are clean and visible.
- **Only use this product if it can be used safely!**

Introduction

This manual describes the RFJ-2TX Floor Jack, which safely raises Vehicles up to 2 Tons.

More information about the full line of Ranger Products is available at rangerproducts.com.

This manual is mandatory reading for all users of the RFJ-2TX, including anyone who sets up, operates, maintains, or repairs it.

Keep this manual on or near the equipment so that anyone who uses them can read it.

Technical support is available by calling **Ranger Products at (800) 253-2363**.

Shipping Information

Your equipment was carefully checked before shipping. Nevertheless, you should thoroughly inspect the shipment **before** you sign to acknowledge that you received it.

When you sign the bill of lading, it tells the carrier that the items on the invoice were received in good condition. ***Do not sign the bill of lading until after you have inspected the shipment.*** If any of the items listed on the bill of lading are missing or damaged, do not accept the shipment until the carrier makes a notation on the bill of lading that lists the missing or damaged goods.

If you discover missing or damaged goods **after** you receive the shipment and have signed the bill of lading, notify the carrier at once and request the carrier to make an inspection. If the carrier will not make an inspection, prepare a signed statement to the effect that you have notified the carrier (on a specific date) and that the carrier has failed to comply with your request.

It is difficult to collect for loss or damage after you have given the carrier a signed bill of lading. If this happens to you, file a claim with the carrier promptly. Support your claim with copies of the bill of lading, freight bill, invoice, and photographs, if available. Our willingness to assist in helping you process your claim does not make us responsible for collection of claims or replacement of lost or damaged materials.

Safety Considerations

Read this manual carefully before using your new product. Do not use the product until you are familiar with all operating instructions and warnings. Do not allow anyone else to use the product until they are also familiar with all operating instructions and warnings.

Safety Information




Please note the following:

- The product is a Floor Jack; ***Use it only for its intended purpose.***
- The product must only be used on hard and flat surfaces.
- ***Never*** exceed the rated capacity. Overloading can cause damage to or failure of the Floor Jack.
- Always position the Floor Jack under the factory-recommended Lifting Points of the Vehicle.
- Make sure to center the Saddle under the load **before** lifting the Vehicle; failure to do so can result in Floor Jack instability and possible loss of load, which is danger to anyone near the Vehicle.

- After lifting the Vehicle, you must support the load with appropriately-rated Vehicle support stands (such as Jack Stands) **before** you begin working on the Vehicle.
- The product should only be operated by authorized personnel. Keep children and untrained personnel away from the product.
- Keep hands and body away from all pinch points.
- When using the product, wear appropriate work clothes and ANSI-approved safety goggles.
- **Do not make any modifications to the product; this voids your warranty.**
- Make sure all operators read and understand the *Installation and Operation Manual*. Keep the manual near the device at all times.
- Make a visual inspection of the product before using it. Do not use the product if you find any missing or damaged parts. Instead, take the unit out of service, then contact an authorized repair facility, your distributor, or Ranger Products at **(800) 253-2363**.

Symbols

Following are the symbols used in this manual:

-  **DANGER** Calls attention to a hazard that **will** result in death or injury.
-  **WARNING** Calls attention to a hazard or unsafe practice that **could** result in death or injury.
-  **CAUTION** Calls attention to a hazard or unsafe practice that could result in personal injury, product damage, or property damage.

Liability Information

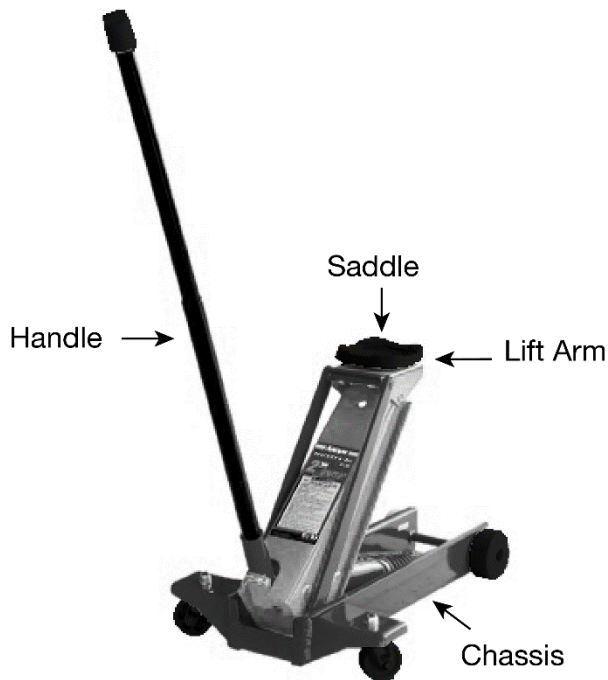
BendPak Ranger assumes **no** liability for damages resulting from:

- Use of the equipment for purposes other than those described in this manual.
- Modifications to the equipment without prior, written permission from BendPak Ranger.
- Damage to the equipment from external influences.
- Incorrect operation of the equipment.

Specifications

Model	RFJ-2TX
Holding capacity	4,000 lbs. / 1,814 kg
Minimum Height	5" / 130 mm
Maximum Height	21" / 535 mm
Chassis Length	25.75" / 655 mm
Front overall width	10" / 255 mm
Rear overall width	17" / 433 mm

Components



Setup

This section describes how to get your Floor Jack ready for use.

To set up your Floor Jack:

1. Remove the Floor Jack from the box.
2. Insert the Handle into the Handle Socket and tighten the Bolt in place.

Removing Air

Before putting your Floor Jack in operation, remove any trapped air from the Hydraulic System.

To Remove Air from the Hydraulic System:

1. Open the Release Valve at the top of the Handle and turn it counter-clockwise.
2. Pump the Handle quickly 6-8 times.
3. Close the Release Valve by turning the Handle clockwise.


If the Lift Arm is raised, the Floor Jack is ready for use. If the Lift Arm is not raised, simply repeat this procedure.

Operation

This section describes how to raise and lower a Vehicle with a Floor Jack.

To Raise a Vehicle with a Floor Jack:

1. Drive the Vehicle to the desired location, set the parking brake, put the Vehicle in Park (or in gear, if a manual transmission).
2. Make sure the Floor Jack Release Valve is closed tightly; turn the Handle clockwise.
Do **not** over tighten.
3. Position the Saddle directly under the Vehicle, making sure the Saddle will firmly contact the load and cannot slip.
4. Raise the Floor Jack by pumping the Handle until desire height is reached.
Make sure the Saddle is correctly positioned.
5. Secure the Vehicle by placing Jack Stands at the factory-recommended Lifting Points of the Vehicle; do **not** use Floor Jacks as the only means of support.

 **WARNING** Never go under the Vehicle at any time when placing or removing Jack Stands.

6. Check the Vehicle for stability.

If the Vehicle is **not** stable, use the Floor Jack to carefully lower it back down to the ground.

If the Vehicle is stable, it is safe to begin working under the Vehicle.

To Lower a Vehicle with a Floor Jack:

1. Make sure the Release Valve is tightly closed; turn the Handle clockwise.
2. Pump the Handle to raise the Vehicle above the Jack Stands.
3. Remove the Jack Stands.
4. Open the Release Valve slowly by turning the Handle counter-clockwise.
5. Fully lower the Vehicle back down to the ground.
6. Remove the Floor Jack.

Maintenance

Make sure your Floor Jack is maintained on a regular basis.

- **Daily:** Keep the Floor Jack clean and dry; if it gets wet or dirty, make sure to clean it.
- **Monthly:** Oil the pivot points to make sure they continue to work properly.

Adding or Replacing Hydraulic Fluid

The Floor Jack requires Hydraulic Fluid in the Hydraulic System.

When adding or replacing Hydraulic Fluid, always use quality Hydraulic Fluid; do not use brake fluid, alcohol, detergent motor oil, or dirty oil.

To Add Hydraulic Fluid:

1. Make sure the Saddle and Jack are fully lowered.
2. Remove the Filler Screw.
3. Using approved fluid, add Hydraulic Fluid until it reaches the top of the Filler Screw Hole.
If the level is below the Filler Screw Hole, add Hydraulic Fluid as needed.
4. Replace the Filler Screw.

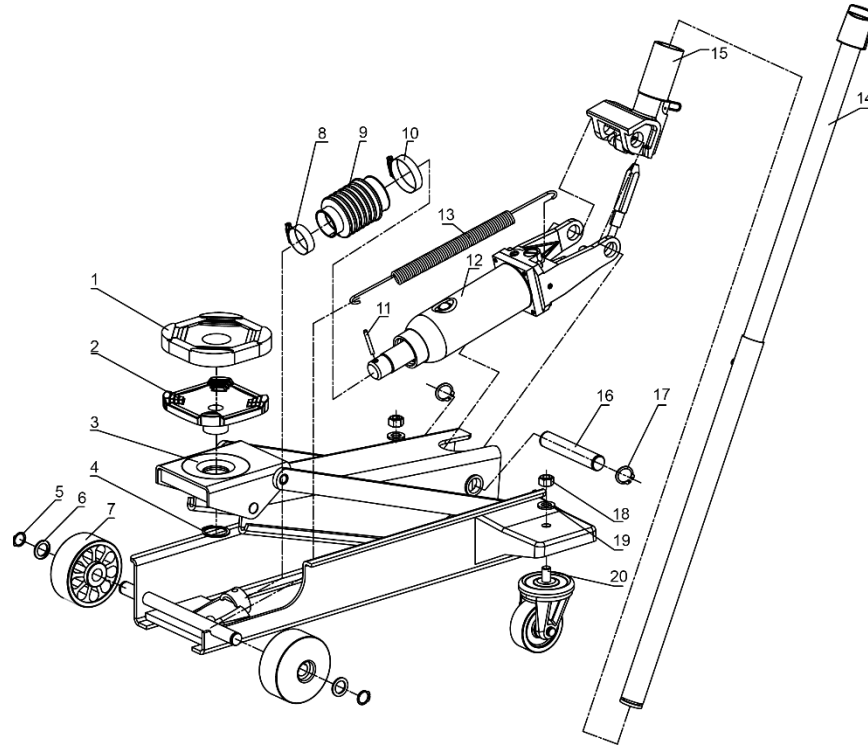
Troubleshooting

This section describes how to troubleshoot your Floor Jack.

Issue	Action to take
Floor Jack will not lift load.	Remove any air trapped in the Hydraulic System.
Floor Jack cannot sustain load or feels “spongy” under load.	Remove any air trapped in the Hydraulic System.
Floor Jack will not raise fully.	Check the oil level; if low, add more.
Floor Jack will not lower fully.	Check the oil level and make sure there is not too much oil in the system.
Handle raises while the Floor Jack is under load.	Pump the Handle several times to push oil past the valves in the pump.

If you continue to have issues with your Floor Jack, visit <https://www.bendpak.com/support/> or call **BendPak Ranger at (805) 933-9970**.

Parts Breakdown



Num	Description	Qty
1	Rubber Pad	1
2	Saddle	1
3	Lifting Arm	1
4	Washer 35	1
5	Washer 18	2
6	Washer for Front Wheel	2
7	Front Wheel	2
8	Upper Circlip for Piston	1
9	Dust Ring	1
10	Bottom Circlip for Piston	1

Num	Description	Qty
11	Round Pin	1
12	Hydraulic Unit	1
13	Return Spring	1
14	Handle	1
15	Handle Socket	1
16	Shaft for Handle Socket	1
17	Washer 22	2
18	Nut M12	2
19	Flat Washer 12	2
20	Rear Wheel	2



1645 Lemonwood Drive
Santa Paula, CA 93060 USA