



Toll Free: 1-800-579-8088 Web: www.zinko.com

MODEL

ZN & ZNB Series Hydraulic Bottle Jack

Operating Instructions & Repair Parts List

Operation

The owner and/or operator shall have an understanding of these operating instructions and warnings before operating the jack. Warning information shall be emphasized and understood. If the operator is not fluent in English, the instructions and warning shall be read to and discussed with the operator in the operator's native language by the purchaser/owner, making sure that the operator comprehends its contents.



For Your Safety and to Prevent Injury

1. **READ THIS OPERATION MANUAL THOROUGHLY** and fully understand its contents before using the jack.
The manual explains important warning information.
2. This jack is designed for lifting purposes only, not for supporting loads.
3. Immediately after jacking, support vehicle (load) with appropriately rated stands or equivalent blocking.
4. **DO NOT ALLOW JACK ALONE, TO SUPPORT VEHICLE (LOAD).**
5. **DO NOT OVERLOAD THIS JACK BEYOND ITS RATED CAPACITY.**
6. This jack is designed for use only on hard level surfaces capable of sustaining the load. Use on other than hard level surfaces may result in jack instability and possible loss of load.
7. Failure to read these warnings may result in loss of load, damage to jack and/or failure resulting in personal injury or property damage.
8. **NEVER** get your arm, leg, and/or body under a heavy load supported only by a jack.
9. When the handle is not in use, remove it from the body of the jack. Never use a handle other than the one designated by the specifications.

Inspection

1. Visual inspection shall be made before each use of the jack, checking for leaking hydraulic fluid, and damaged, loose or missing parts.
2. Each jack shall be inspected by an authorized **ZINKO** service facility immediately, if subjected to an abnormal load or shock.
3. Owners and/or users should be aware that repair of this equipment may require specialized knowledge and facilities. It is recommended that an annual inspection of the jack be made by an authorized **ZINKO** service facility and that any defective parts, decals or warning labels be replaced with genuine **ZINKO** parts. A list of authorized service facilities is available from **ZINKO**.

Damaged Jacks

Any jack which appears to be damaged in any way, is found to be badly worn, or operates abnormally SHALL BE REMOVED FROM SERVICE until necessary repairs are made by an authorized **ZINKO** service facility.

Operating Instructions (Before Use)

1. **Check oil level.** With the jack in an upright position and the ram completely retracted, open release valve by turning release assembly counterclockwise. Remove filler plug; the oil level should be just up to the hole. Fill if necessary with clean hydraulic jack oil. NEVER USE BRAKE OR SHOCK ABSORBER FLUID.
2. **Lubricate internal components.** With release valve open, pump handle six full strokes to assure proper internal lubrication.
3. **Bleed the hydraulic system.** During transit hydraulic jacks may become "air-bound", causing spongy ram action. To bleed the hydraulic system: **a)** Close the release valve by turning clockwise. **b)** Insert handle in socket and pump jack up to full height. **c)** Open the release valve, invert the jack and force the ram to retract.

Using the Jack

1. **To raise:** Turn release assembly clockwise to close release valve. Position jack where desired and adjust extension screw if necessary, being sure that load is centered. Insert handle in socket and pump handle until load is at desired height.
2. **To Lower:** Open release valve by slowly turning release assembly counterclockwise.
3. **For Horizontal Operation:** Place jack pump side down, then proceed as with vertical operation.

Zinko Hydraulic Jack

Model: ZN & ZNB Series

CAUTION

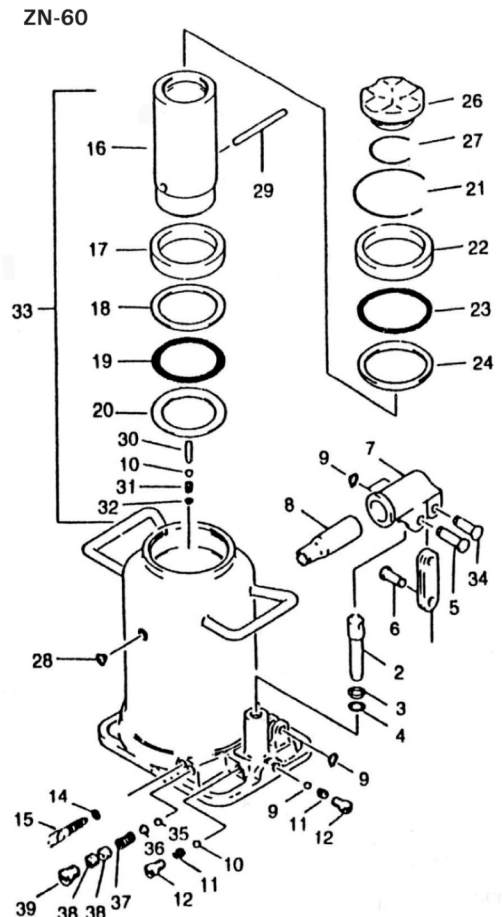
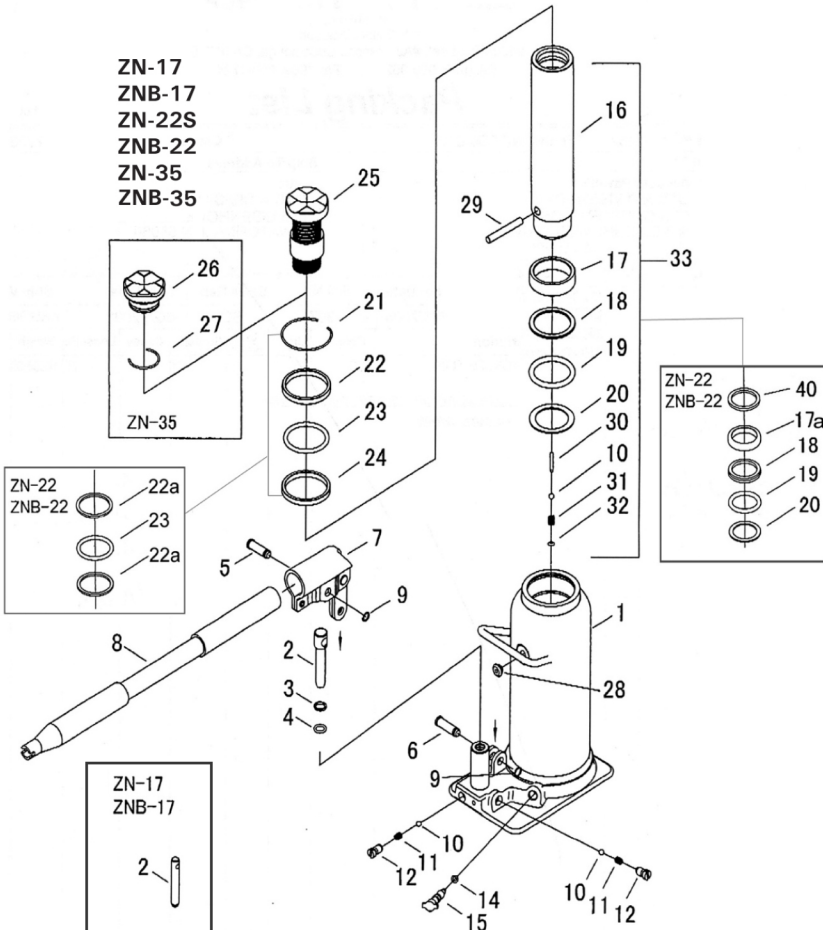
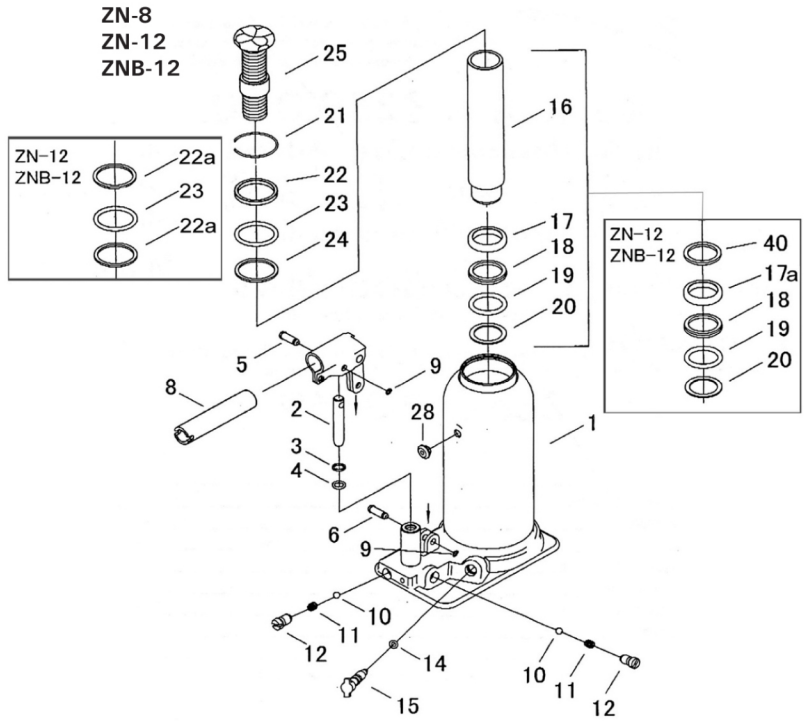
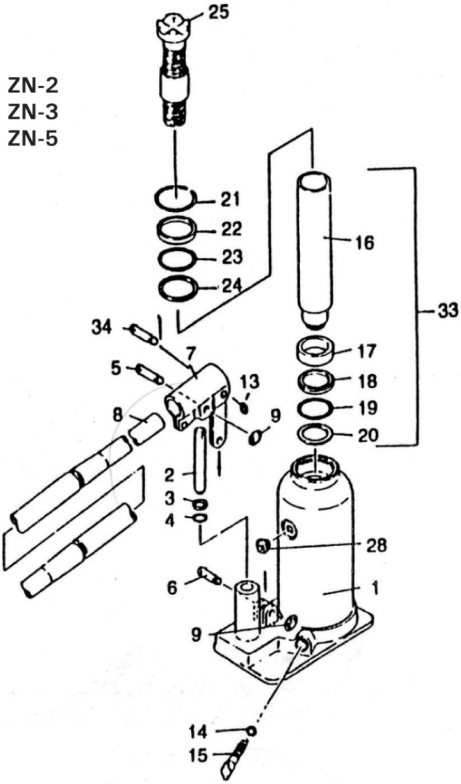
1. **DO NOT OVERFILL OIL BEYOND THE OIL FILL LEVEL, AS THE JACK'S OIL AMOUNT LIMITS THE MAXIMUM EXTENSION OF THE RAM.** Too much oil may make the ram fall off, which may result in a serious accident.
2. **SLOWLY TURN RELEASE STEM.** Turning it quickly makes a heavy load fall rapidly, which may result in jack's losing engagement at jacking point, and/or damage to jack leading to a serious accident.
3. If stains on labels make it difficult to make out the instructions on them, or jack appears to be in an abnormal condition, consult your dealer immediately.
4. Ensure no foreign matter such as dirt enters the system while filling oil. **NEVER USE BRAKE OIL OR VEGETABLE OIL, AS SUCH OIL CAUSES JACK TO MALFUNCTION.**

Parts List

MODEL	ZN-2 (2 Ton)	ZN-3 (3 Ton)	ZN-5 (5 Ton)	ZN-8 (8 Ton)	ZN-12 (12 Ton)	ZNB-12 (12 Ton) LOW	ZN-17 (17 Ton)	ZNB-17 (17 Ton) LOW	ZN-22 (22 Ton)	ZNB-22 (22 Ton) LOW	ZN-35 (35 Ton)	ZN-60 (60 Ton)	
# Parts Description													
1) Body Assy	N/A												
2) Pump Plunger	ZN002-2			ZN008-2				ZN022-2			ZN060-2		
3) Pump Backup Ring	ZN002-3			ZN008-3									ZN060-3
4) Pump Packing	ZN002-4			ZN008-4									ZN060-4
5) Pump Plunger Pin	ZN002-5			ZN008-5					ZN022-5		ZN035-5	ZN060-5	
6) Pump Stay Pin	ZN002-6			ZN008-6					ZN022-6				ZN060-6
7) Handle Socket Assy	ZN002-7			ZN008-7					ZN022-7		ZN035-7	ZN060-7	
8) Handle	ZN002-8		ZN005-8	ZN008-8					ZN022-8			ZN060-8	
9) Snap Ring/Push Nut	ZN002-9			ZN008-9					ZN022-9				ZN060-9
10) Valve Ball	ZN002-10			ZN008-10									
11) Valve Spring	N/A			ZN008-11									
12) Valve Plug	N/A			ZN008-12									
13) Push Nut	ZN002-13			N/A									
14) Release Packing	ZN002-14												
15) Release Assy	ZN002-15												
16) Ram	ZN002-16	ZN03-16	ZN005-16	ZN008-16	ZN012-16	ZNB12-16	ZN017-16	ZNB17-16	ZN022-16	ZNB22-16	ZN035-16	ZN060-16	
17) Ram Packing Seat	ZN002-17	ZN03-17	ZN005-17	ZN008-17	ZN012-17a		ZN017-17	ZNB17-17	ZN022-17a		ZN035-17	ZN060-17	
18) Ram Backup Ring	ZN002-18	ZN03-18	ZN005-18	ZN008-18	ZN012-18		ZN017-18		ZN022-18		ZN035-18	ZN060-18	
19) Ram Packing	ZN002-19	ZN03-19	ZN005-19	ZN008-19	ZN012-19		ZN017-19		ZN022-19		ZN035-19	ZN060-19	
20) Ram Packing Stopper	ZN002-20	ZN03-20	ZN005-20	ZN008-20	ZN012-20		ZN017-20		ZN022-20		ZN035-20	ZN060-20	
21) Snap Ring	ZN002-21	ZN03-21	ZN005-21	ZN008-21	ZN012-21		ZN017-21		ZN022-21		ZN035-21	ZN060-21	
22) Stuffing Ring	ZN002-22	ZN03-22	ZN005-22	ZN008-22	ZN012-22a		ZN017-22	ZNB17-22	ZN022-22a		ZN035-22	ZN060-22	
23) Cylinder Packing	ZN002-23	ZN03-23	ZN005-23	ZN008-23	ZN012-23		ZN017-23		ZN022-23		ZN035-23	ZN060-23	
24) Stopper Ring	ZN002-24	ZN03-24	ZN005-24	ZN008-24	ZN012-22a		ZN017-22	ZNB17-22	ZN012-22a		ZN035-22	ZN060-24	
25) Adjusting Screw Assy	ZN002-25	ZN03-25	ZN005-25	ZN008-25	ZN012-25	ZNB12-25	ZN017-25	ZNB17-25	N/A	ZNB22-25	N/A		
26) Supporting Plate	N/A												
27) Snap Ring	N/A												
28) Oil Plug	ZN002-28												
29) Horizontal Pin	N/A						ZN017-29		ZN022-29		ZN035-29	ZN060-29	
30) Vertical Pin	N/A						ZN017-30		ZN022-30	ZNB22-30	ZN035-30	ZN060-30	
31) Ram Spring	N/A						ZN017-31						
32) Ram Spring Stopper	N/A						ZN017-32						
33) Ram Assy	ZN002-33	ZN03-33	ZN005-33	ZN008-33	ZN012-33	ZNB12-33	ZN017-33	ZNB17-33	ZN022-33	ZNB22-33	ZN035-33	ZN060-33	
34) Pin, Handle Socket	ZN002-34			N/A									ZN060-34
35) Safety Valve Ball	N/A												
36) Safety Valve Ball Seat	N/A												
37) Safety Valve Spring	N/A												
38) Adj. Screw Safety Valve	N/A												
39) Safety Valve Plug	N/A												
40) Ring	N/A				ZN012-40		N/A		ZN022-40		N/A		

Zinko Hydraulic Jack

Model: ZN & ZNB Series



Zinko Hydraulic Jack

Model: ZN & ZNB Series

Maintenance

1. **Lubrication.** LACK OF OIL CAN CAUSE MALFUNCTION. Occasionally lubricate the handle socket pivot point, extension screw, and release screw thread to prevent corrosion.
2. **To Add or Replace Hydraulic Jack Oil.**
 - a) Retract ram completely.
 - b) Remove filler plug with your fingers and fill reservoir with designated jack oil or general hydraulic fluid to the bottom edge of fill hole with jack upright.
 - c) Replace filler plug, operate pump to the ram's full height, and continue pumping for five or six times at the position. Push down ram completely and push open filler plug sideways to let out air.

Proper Oil: ISO VG 10. Never use high viscosity oil or volatile oil such as brake oil or vegetable oil which may cause malfunction. We recommend annual oil replacement and inspection. Please contact a **ZINKO** service center for service inspection.
3. **Storing Jack.** After using, clean jack, check sliding and rotating parts and oil as needed. When storing, keep ram and extension screw at lowest position and store the unit(s) indoors.

Troubleshooting

PROBLEM	SOLUTION
1) Will not lift full height. 2) Will not lower completely.	<p>Reservoir could be overfilled With jack upright; remove filler screw or filler plug, open release and SLOWLY push jack ram into lowered position. Any excess oil will run out fill hole. Replace filler screw or filler plug when oil has stopped flowing.</p>
1) Will not lift load. 2) Will not lift full height. 3) Pump feels "spongy" under load.	<p>Jack could be low on oil With jack in upright position and ram fully lowered; remove filler screw or filler plug and fill reservoir with clean HYDRAULIC JACK OIL - correct oil level is reached when oil level is at bottom edge of fill hole.</p> <p>Jack could be "air-bound" Open the release valve one full turn and pump the handle vigorously. Close the release valve and pump to full height. Continue pumping several times at full height. Open release valve and push ram down into lowered position. Close release valve and operate normally.</p>
1) Will not lift load. 2) Handle raises under load. 3) Handle lowers under load.	<p>Valve may not be closing Make certain release valve is closed. Starting with ram in fully lowered position, SLOWLY raise ram up to full height. Open release valve and push ram down into lowered position. Jack should now operate properly.</p>
1) Will not work in horizontal position.	<p>Jack in wrong position for horizontal operation Valving plug on side of jack base must be face upward.</p> <p>Jack could be low on oil With jack in upright position and ram fully lowered; remove filler screw or filler plug and fill reservoir with clean HYDRAULIC JACK OIL - correct oil level is reached when oil level is at bottom edge of fill hole.</p>

If the above procedures do not correct the problem, contact your nearest **ZINKO** service facility. When submitting any jack or equipment to be repaired, be sure to state the nature of the problem and indicate whether an estimate of the repair cost is needed.



ZINKO HYDRAULIC JACK

PO Box 4903, Ontario, CA 91761

Toll Free: 1-800-579-8088

www.zinkojack.com

Phone: (909) 230-4100

Fax: (909) 230-4137