

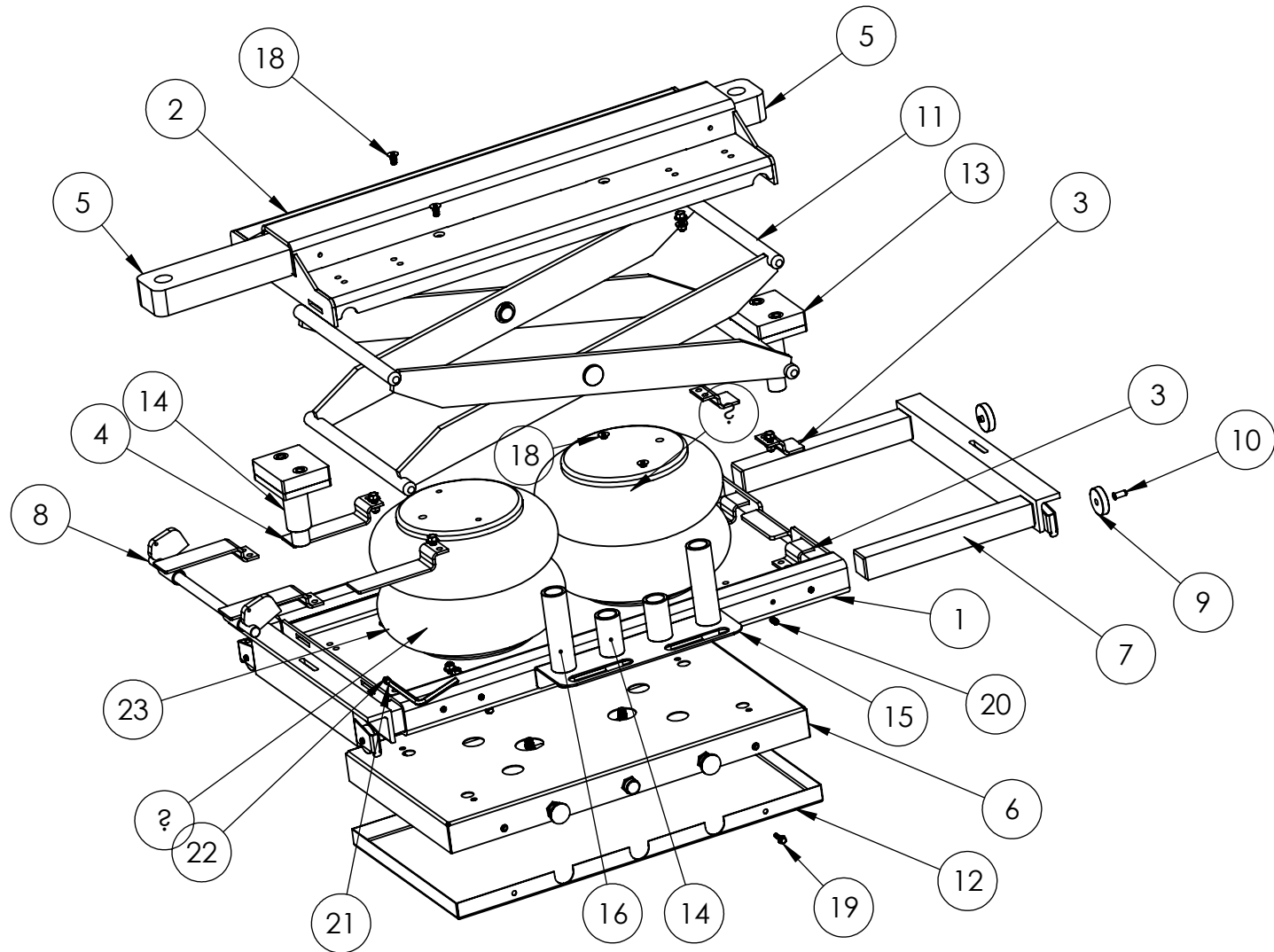
ITEM NO.	PART NUMBER	DESCRIPTION	QTY.
1	JW-8500-508	PAN ASSY BOTTOM	1
2	JW-8500-504	TOP PLATE-CHANNEL ASSY	1
3	JW-8500-208	MOTION LIMITER-BOTTOM	4
4	JW-8500-207	MOTION LIMITER-BOTTOM	2
5	JW-8500-511	SLIDE BAR-WELDED	2
6	JW-8500-517	CONTROL BOX ASSY	1
7	JW-8500-515	JW-9000 OUT RIGGER ASSY	2
8	JW-8500-415	SAFETY CAM ASSY	1
9	ROT-BLUE-70	Wheel - 70 Durometer	4
10	BLUE WHEEL PIN		4
11	JW-8500-400	X SUPPORT ASSY	1
12	JW-8500-512	COVER-CONTROL BOX	1
13	JW-8500-525	LIFT PAD ASSY	2
14	JW-8500-520	POST 3 INCH	4
15	JW-8500-526	BRACKET EXTENSION POST	1
16	JW-8500-519	POST 6 INCH	2
17	HWH 375-16 X 1	HEX WASHER HD 3/8-16 X 1	2
18	FSHCS .375-16 X .75	FSHCS 3/8-16 X .75	4
19	HHCS .25-20 X 1	HHCS 1/4-20 X 1	4
20	SET SCR 375-16 X 1	SET SCR 3/8-16 X 1	8
21	JW-8500-529	ROD	1
22	.25-20 HEX LOCK NUT	1/4-20 HEX LOCKNUT	1
23	.375-16 HEX LOCK NUT	3/8-16 HEX LOCKNUT	8
25	JW-8500-518	AIR SPRING	2

PROPRIETARY AND CONFIDENTIAL
 THE INFORMATION CONTAINED IN THIS DRAWING IS THE SOLE PROPERTY OF QSP. ANY REPRODUCTION IN PART OR AS A WHOLE WITHOUT THE WRITTEN PERMISSION OF QSP IS PROHIBITED.

		UNLESS OTHERWISE SPECIFIED:	NAME	DATE
		DIMENSIONS ARE IN INCHES TOLERANCES: FRACTIONAL ± .03" ANGULAR: MACH ± .1 BEND ± 1° TWO PLACE DECIMAL ± .01 THREE PLACE DECIMAL ± .005	DRAWN	PJA 7/26/2012
		INTERPRET GEOMETRIC TOLERANCING PER: ANSI Y14.5	CHECKED	
		MATERIAL ASSEMBLY	ENG APPR.	
		FINISH	MFG APPR.	
		DO NOT SCALE DRAWING	Q.A.	
			COMMENTS:	

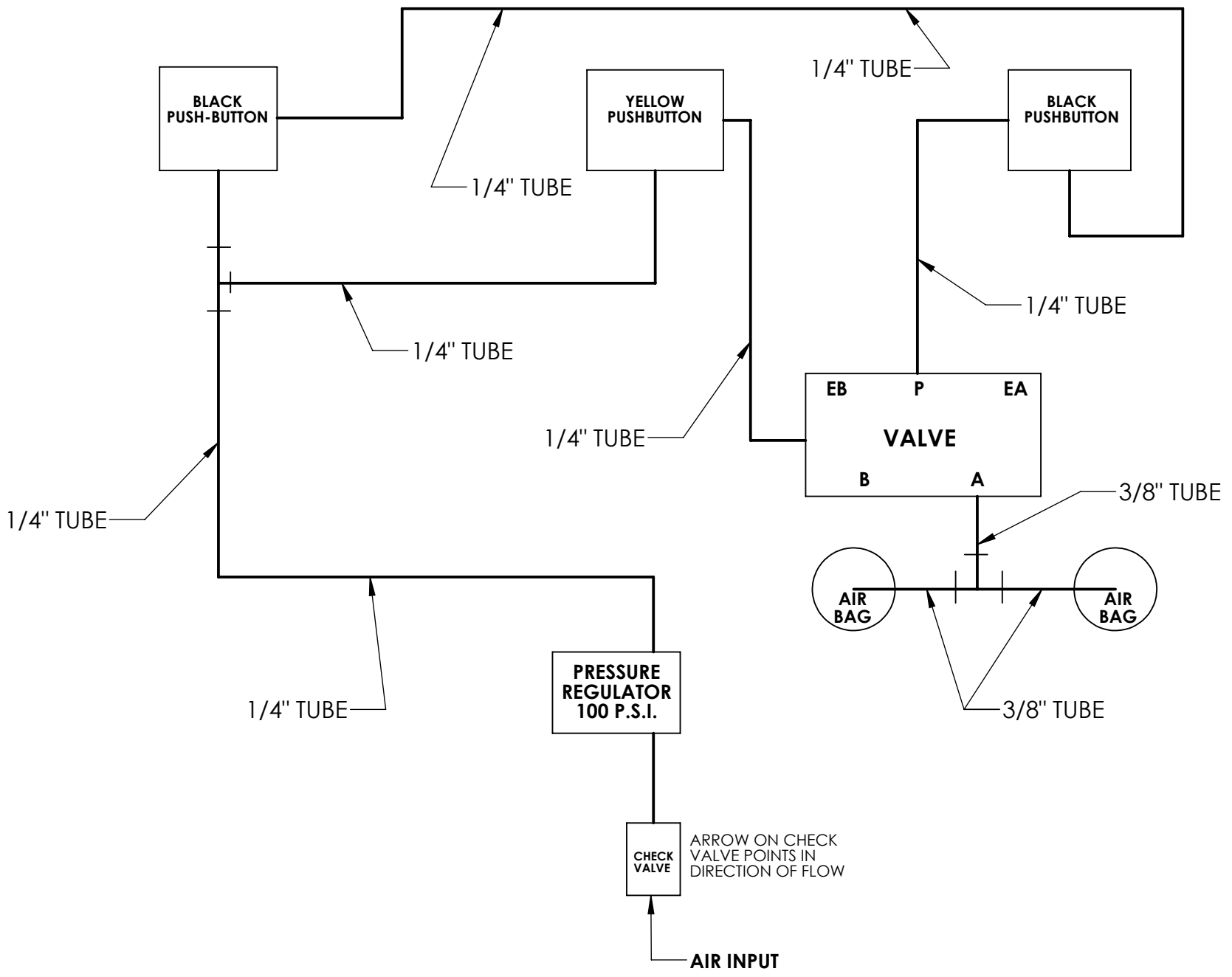


TITLE:		
JACK 9000		
SIZE	DWG. NO.	REV
A	JW-9000	B
SCALE: 1:24	WEIGHT:	SHEET 1 OF 4



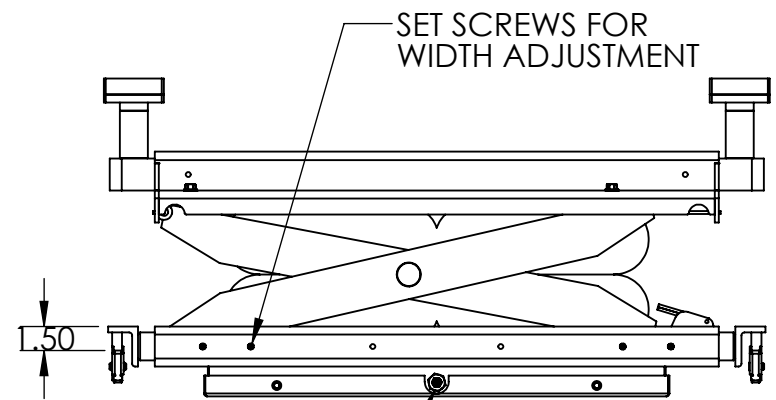
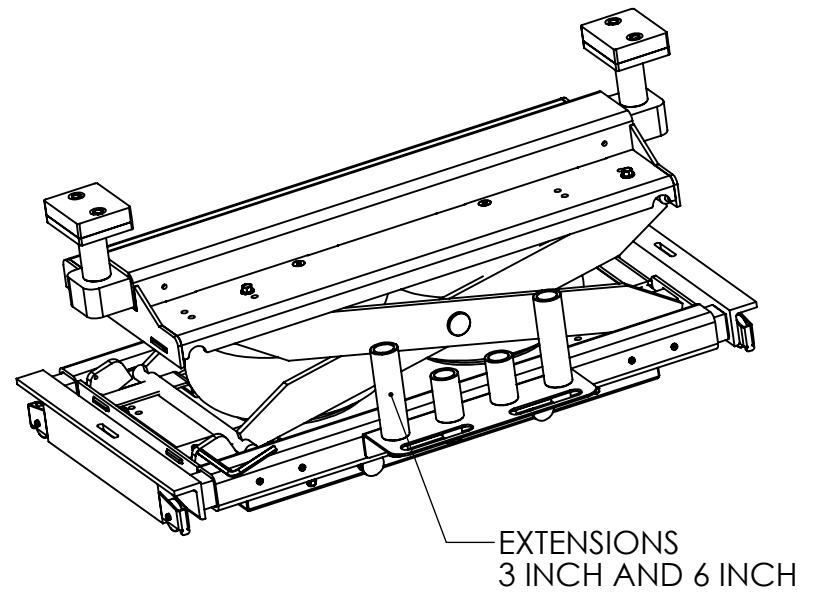
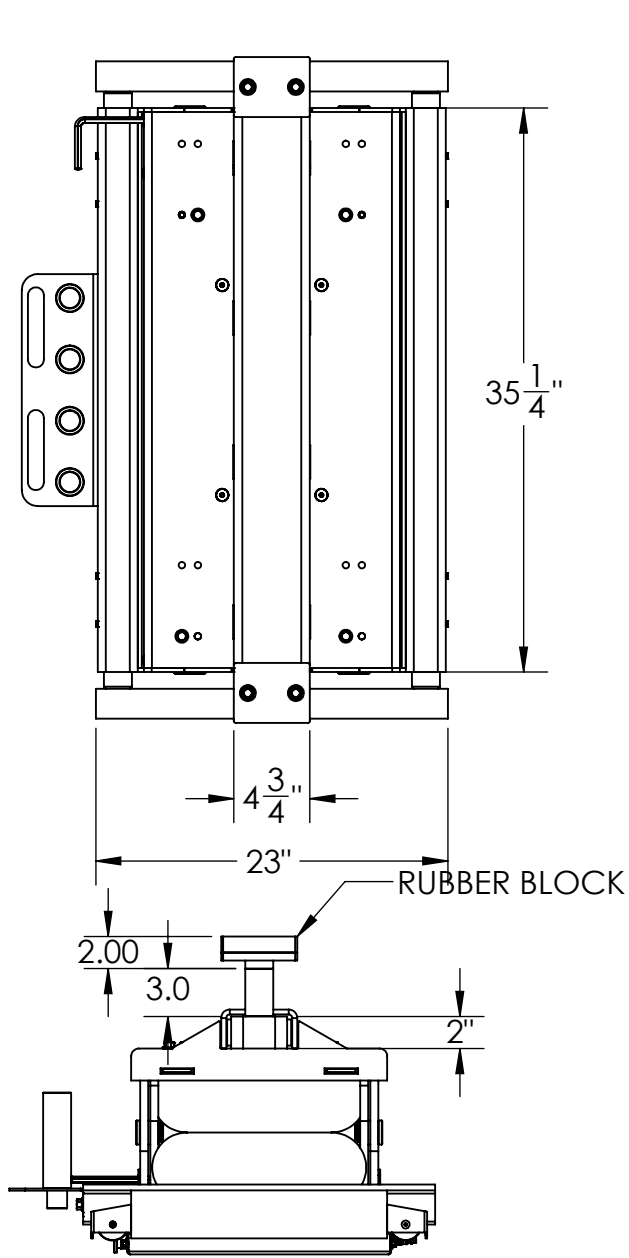
PROPRIETARY AND CONFIDENTIAL
 THE INFORMATION CONTAINED IN THIS DRAWING IS THE SOLE PROPERTY OF <INSERT COMPANY NAME HERE>. ANY REPRODUCTION IN PART OR AS A WHOLE WITHOUT THE WRITTEN PERMISSION OF <INSERT COMPANY NAME HERE> IS PROHIBITED.

		UNLESS OTHERWISE SPECIFIED:		NAME	DATE	TITLE: JACK 9000		
		DIMENSIONS ARE IN INCHES TOLERANCES: FRACTIONAL ± ANGULAR: MACH ± BEND ± TWO PLACE DECIMAL ± THREE PLACE DECIMAL ±	DRAWN	PJA	7/26/2012			
		INTERPRET GEOMETRIC TOLERANCING PER:		CHECKED		A	JW-9000	B
		MATERIAL ASSEMBLY		ENG APPR.		SCALE: 1:12 WEIGHT: SHEET 2 OF 4		
		FINISH		MFG APPR.				
NEXT ASSY	USED ON			Q.A.				
APPLICATION		DO NOT SCALE DRAWING		COMMENTS:				



**JW-9000
AIR LINE ROUTING**

TOP



AIR INPUT
PUSH BUTTON
ACTUATORS OPPOSITE
SIDE