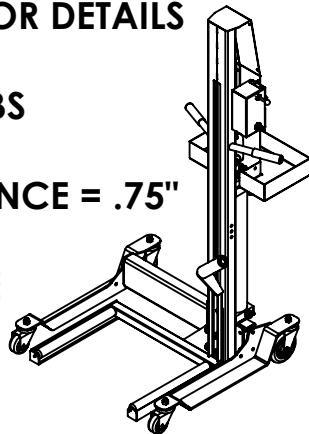



ITEM NO.	PART NUMBER	DESCRIPTION	QTY.
1	1030	QUICK DISCONNECT 1/4 NPT	1
2	108-60	CHECK VALVE 1/4 NPT	1
3	1345	1/4 NPT-3/4-16 THD	1
4	1347	AIR LINE TEE 1/4 NPT	1
5	137-71	YELLOW COIL HOSE 4 1/2 COIL	1
6	8000-8	GRIP	2
7	EG16	ROLLER-TIRE	2
8	F-1/4 X 1/4NPT L	.25 TUBE X .25NPT ELBOW	2
9	F-1/4NPTX3/8T FCL	FLOW CONTROL ELL 3/8 NPT	2
10*	F-3/8 X 1/4NPT L	90 DEGREE CYLINDER ELBOW 3/8T X 1/4 MNPT	2
11	H-LM-HDWR	LM-200 HARDWARE KIT	1
12	LM-200-10	LIFT MATE DECAL KIT	1
13	LM-200-160	COLUMN WELDED ASSY	1
14	LM-200-166	COVER LH	1
15	LM-200-167	COVER RH	1
16	LM-200-172	CONTROL BOX COVER	1
17	LM-200-173	REAR COVER	1
18	LM-200-174	TOOL TRAY	1
19	LM-200-210	CABLE ANCHOR	2
20	LM-200-401	PLATE-FRONT	1
21	LM-200-407	ROLLER-TROLLEY	6
22	LM-200-410	WHEEL FORK OFF SET	1

ITEM NO.	PART NUMBER	DESCRIPTION	QTY.
23	LM-200-415	ROLLER SUPPORT	1
24	LM-200-419	SPACER-TROLLEY	1
25	LM-200-430	MAST SUPT WELDED	1
26	LM-200-437	TROLLEY WELDMENT	1
27	LM-200-606	CABLE PULLEY WHEEL 3.5"	1
28	LM-200-703	GUIDE WHEEL BUSHING	2
29	LM-200-706	GUIDE WHEEL	2
30	LM-200-708	PULLEY ASSY WELDMENT	1
31	LM-200-714	CASTER SUPPORT RH	1
32	LM-200-715	CASTER SUPPORT LH	1
33	LM-200-900	AIR CYLINDER	1
34	LM-200-901	AIR VALVE	1
35	LM-200-927	CABLE ASSY	1
36	LM-200-930	CASTER 5" DIA WHEEL	2
37	LM-200-931	CASTER 3" DIA WHEEL	2
38	LM-200-R-152	ROLLER	1
39	LM-350-119	SPACER	2
40	P-16X12X4	16 X 12 X 4-5/8 RSC ECT32 KRAFT	1
41	P-LM-BOX	60-3/16 X 19 X 6-3/4 FTC TOP & BOTTOM	1
42	P-TM-BOX	26-1/4 X 25-15/16 X 8-3/8 RSC 44 ECT	1
43	T-3/8 PU BLACK TUBE	3/8 BLACK POLYURETHANE TUBE	6
44	T-1/4 PU TUBE-FLEX	1/4 BLACK POLYURETHANE AIR LINE	0.75

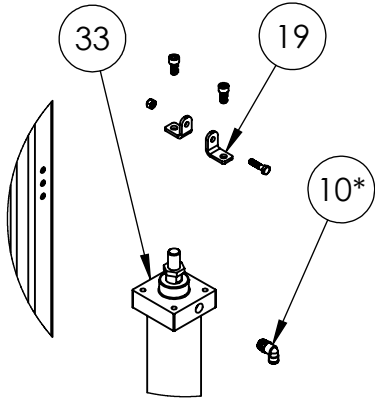
**SEE SUBSEQUENT PAGES FOR DETAILS
AND INSTRUCTIONS**
LIFTING CAPACITY = 200LBS
LIFTING STROKE = 40"
MINIMUM FLOOR CLEARANCE = .75"

**CONNECTING HARDWARE
NOT SHOWN IS INCLUDED
IN H-LM-HDWR KIT**

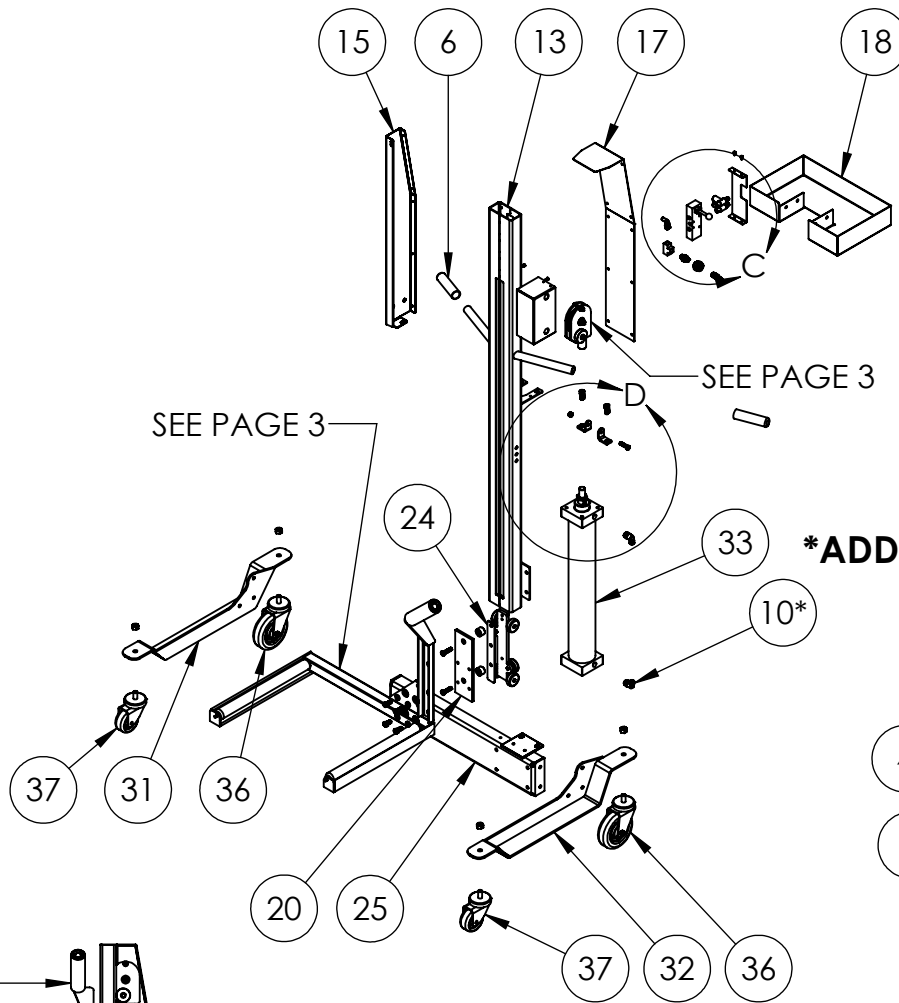


UNLESS OTHERWISE SPECIFIED:		NAME	DATE			
DIMENSIONS ARE IN INCHES TOLERANCES: FRACTIONAL ± .03" ANGULAR: MACH ± .1 BEND ± 1° TWO PLACE DECIMAL ± .01 THREE PLACE DECIMAL ± .005		DRAWN	PJA			04/04/13
INTERPRET GEOMETRIC TOLERANCING PER: ANSI Y14.5		CHECKED				
MATERIAL ASSEMBLY		ENG APPR.				
FINISH RED		MFG APPR.			TITLE: LIFT MATE	
DO NOT SCALE DRAWING		Q.A.				
		PROPRIETARY AND CONFIDENTIAL THE INFORMATION CONTAINED IN THIS DRAWING IS THE SOLE PROPERTY OF QSP. ANY REPRODUCTION IN PART OR AS A WHOLE WITHOUT THE WRITTEN PERMISSION OF QSP IS PROHIBITED.				
		SIZE	DWG. NO.	REV		
		A	LM-200	-		
		SCALE: 1:28	WEIGHT:	SHEET 1 OF 3		

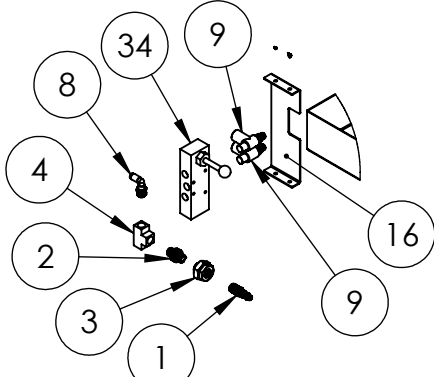
**CABLE ASSEMBLY
LM-200-927
NOT DEPICTED
ON PRINT**



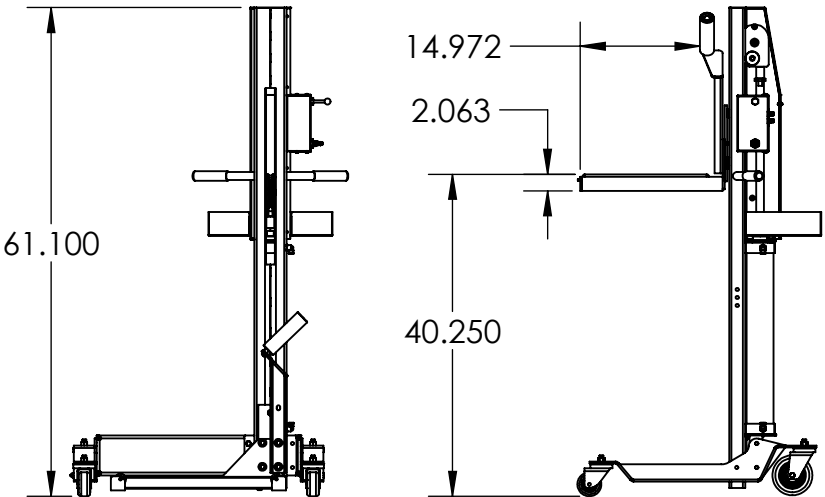
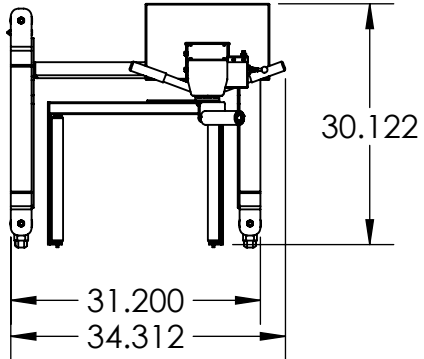
***ADD RED LOCTITE**
DETAIL D
SCALE 1 : 12



***ADD RED LOCTITE**



DETAIL C
SCALE 1 : 12

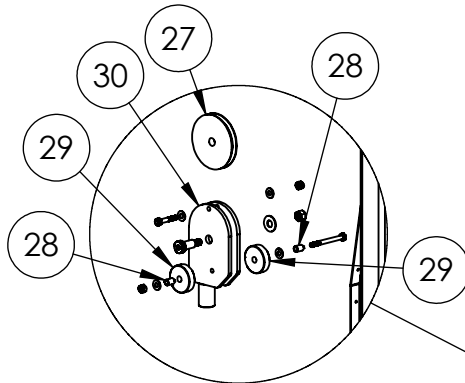


UNLESS OTHERWISE SPECIFIED:	NAME	DATE
DIMENSIONS ARE IN INCHES TOLERANCES: FRACTIONAL ± .03" ANGULAR: MACH ± .1 BEND ± 1° TWO PLACE DECIMAL ± .01 THREE PLACE DECIMAL ± .005	DRAWN PJA	04/04/13
INTERPRET GEOMETRIC TOLERANCING PER: ANSI Y14.5	CHECKED	
MATERIAL ASSEMBLY	ENG APPR.	
FINISH RED	MFG APPR.	
DO NOT SCALE DRAWING	Q.A.	
	PROPRIETARY AND CONFIDENTIAL	
	THE INFORMATION CONTAINED IN THIS DRAWING IS THE SOLE PROPERTY OF QSP. ANY REPRODUCTION IN PART OR AS A WHOLE WITHOUT THE WRITTEN PERMISSION OF QSP IS PROHIBITED.	

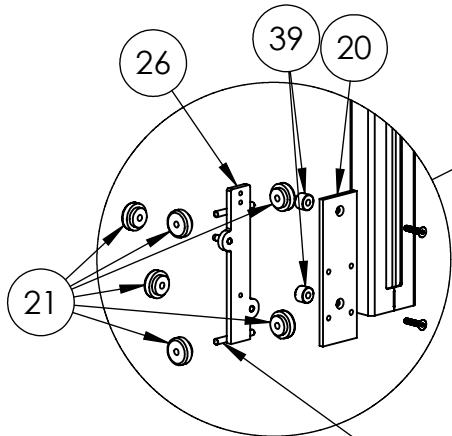
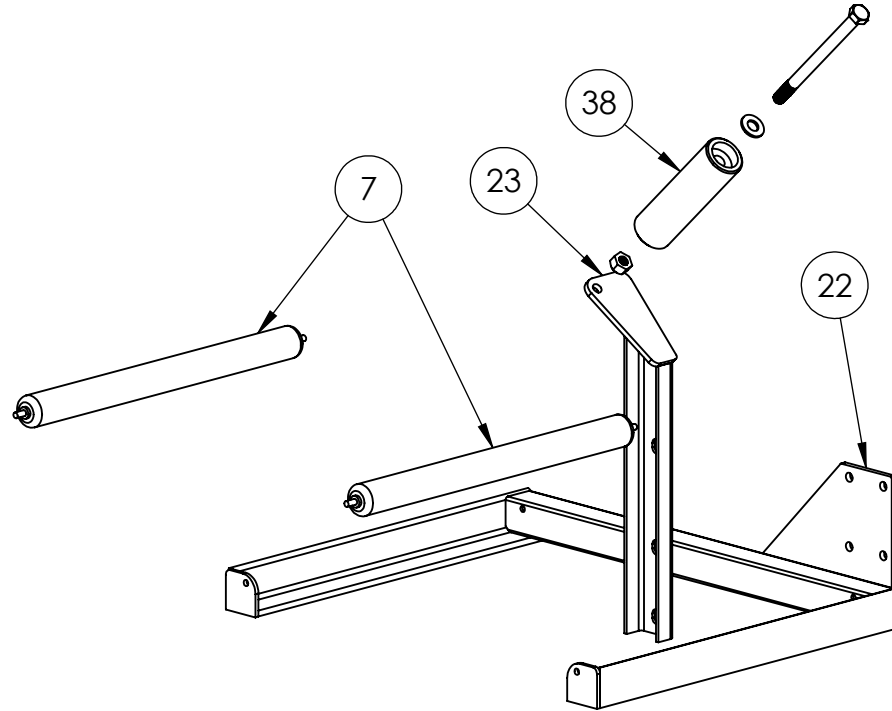
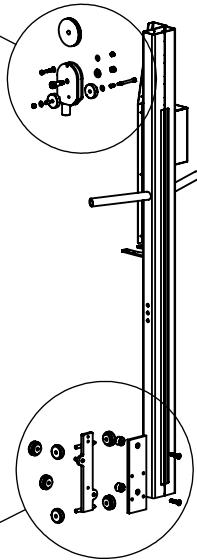


TITLE: LIFT MATE		
SIZE A	DWG. NO. LM-200	REV -
SCALE: 1:24	WEIGHT:	SHEET 2 OF 3

**THESE VIEWS REPRESENT TASKS THAT
CAN BE COMPLETED PRIOR TO
ASSEMBLING THE REST OF THE TO
LEVEL**




DETAIL A
SCALE 1 : 12



DETAIL B
SCALE 1 : 12

**GREASE AXLES OF
ITEM #36 BEFORE
INSTALLING
WHEELS (#21) 6X**

UNLESS OTHERWISE SPECIFIED:		NAME	DATE			
DIMENSIONS ARE IN INCHES TOLERANCES: FRACTIONAL $\pm .03$ " ANGULAR: MACH $\pm .1$ BEND $\pm 1^\circ$ TWO PLACE DECIMAL $\pm .01$ THREE PLACE DECIMAL $\pm .005$		DRAWN	PJA 04/04/13			TITLE:
INTERPRET GEOMETRIC TOLERANCING PER: ANSI Y14.5		CHECKED		LIFT MATE		
MATERIAL ASSEMBLY		ENG APPR.				SIZE
FINISH RED		MFG APPR.		A	LM-200	REV -
DO NOT SCALE DRAWING		Q.A.		SCALE: 1:24		WEIGHT:
		PROPRIETARY AND CONFIDENTIAL THE INFORMATION CONTAINED IN THIS DRAWING IS THE SOLE PROPERTY OF QSP. ANY REPRODUCTION IN PART OR AS A WHOLE WITHOUT THE WRITTEN PERMISSION OF QSP IS PROHIBITED.		SHEET 3 OF 3		