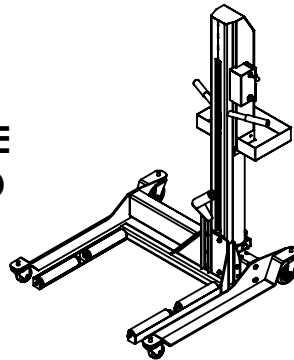


ITEM NO.	PART NUMBER	DESCRIPTION	QTY.
1	1030	QUICK DISCONNECT 1/4 NPT	1
2	108-60	CHECK VALVE 1/4 NPT	1
3	1345	1/4 NPT-3/4-16 THD	1
4	1347	AIR LINE TEE 1/4 NPT	1
5	137-71	YELLOW COIL HOSE 4 1/2 COIL	1
6	8000-8	GRIP	2
7	F-1/2NPT X 3/8T L	1/2 NPT X 3/8 TUBE ELBOW	2
8*	F-1/4 X 1/4NPT L	.25 TUBE X .25NPT ELBOW	1
9	F-1/4NPTX3/8T FCL	FLOW CONTROL ELL 3/8 NPT	2
10	H-LM-350 HW	LM-350 HARDWARE KIT	1
11	LM-200-172	CONTROL BOX COVER	1
12	LM-200-415	ROLLER SUPPORT	1
13	LM-200-901	AIR VALVE	1
14	LM-200-R-152	ROLLER	1
15	LM-350-10	LM-350 DECAL KIT	1
16	LM-350-100	HD Cylinder 100 B- 500 S	1
17	LM-350-112	COLUMN WELDED ASSY	1
18	LM-350-117	TROLLEY WELDMENT	1
19	LM-350-119	SPACER	3
20	LM-350-120	SUPPORT PLATE	1
21	LM-350-122	FORK WELDMENT	1
22	LM-350-131	ROLLER	4


ITEM NO.	PART NUMBER	DESCRIPTION	QTY.
23	LM-350-136	PULLEY WELDMENT LM-350	1
24	LM-350-137	ROLLER	2
25	LM-350-140	ROLLER PIN	1
26	LM-350-141	CABLE RETAINER	2
27	LM-350-142	PULLEY PIN	2
28	LM-350-144	COVER LH	1
29	LM-350-145	COVER LH	1
30	LM-350-146	COVER REAR	1
31	LM-350-147	TOOL TRAY	1
32	LM-350-148	ROLLER-TROLLEY	6
33	LM-350-149	CHANNEL ASSY	1
34	LM-500-301	PULLEY 5" OD X 1/2" W	1
35	LM-500-705	LM-500 CABLE ASSEMBLY	1
36	LM-350-714	CASTER SUPPORT RH	1
37	LM-350-715	CASTER SUPPORT LH	1
38	LM-200-931	CASTER 3" DIA WHEEL	2
39	LM-200-930	CASTER 5" DIA WHEEL	2
40	T-1/4 PU TUBE-FLEX	1/4 BLACK POLYURETHANE AIR LINE	0.75
41	T-3/8 PU BLACK TUBE	3/8 PLACK POLYURETHANE TUBE	6

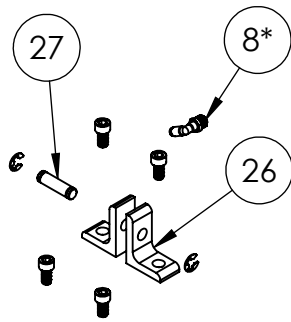
SEE SUBSEQUENT PAGES FOR DETAILS AND INSTRUCTION
LIFTING CAPACITY = 350LBS
LIFTING STROKE = 40"
MINIMUM FLOOR CLEARANCE = .75"

**CONNECTING HARDWARE
NOT SHOWN IS INCLUDED
IN H-LM-350-HW**



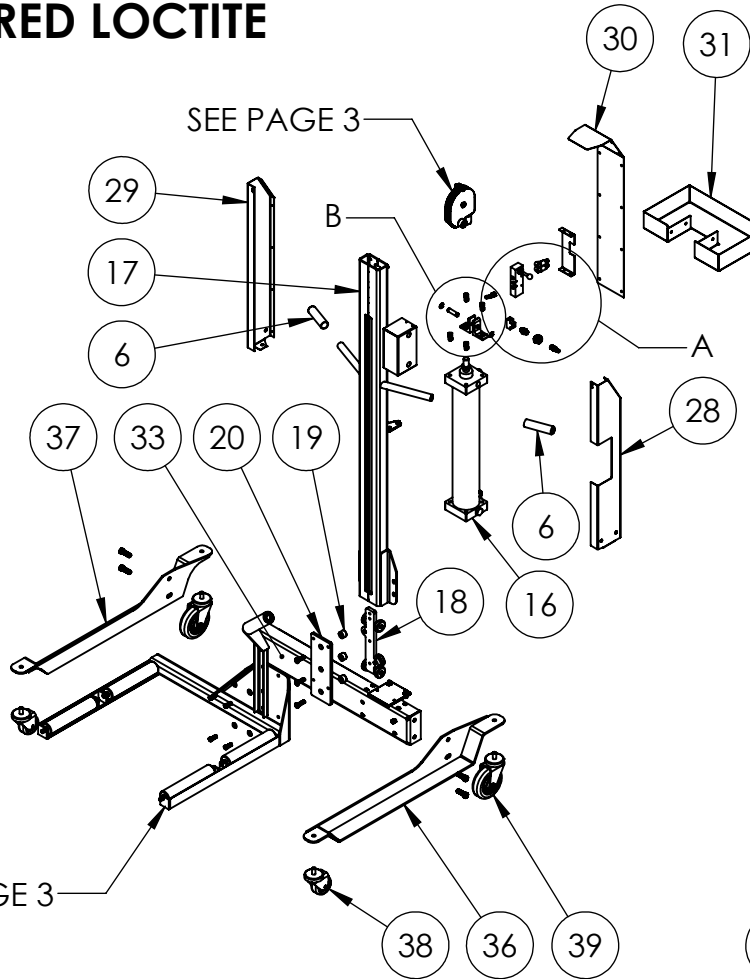
A	REMOVED LM-350-127, 128 & (4) lm-500-604; ADDED LM-350-714 & 715 & (2) LM-200-930 & (2) LM-200-931	03/11/19
REV.	DESCRIPTION	DATE
REVISIONS		

UNLESS OTHERWISE SPECIFIED:		NAME	DATE	
DIMENSIONS ARE IN INCHES TOLERANCES: FRACTIONAL ± .03" ANGULAR: MACH ± .1° BEND ± 1° TWO PLACE DECIMAL ± .01 THREE PLACE DECIMAL ± .005		DRAWN	PJA	
INTERPRET GEOMETRIC TOLERANCING PER: ANSI Y14.5		CHECKED		TITLE:
MATERIAL		ENG APPR.		LIFT MATE 350
ASSEMBLY		MFG APPR.		
FINISH		Q.A.		SIZE
RED		PROPRIETARY AND CONFIDENTIAL		DWG. NO.
DO NOT SCALE DRAWING		THE INFORMATION CONTAINED IN THIS DRAWING IS THE SOLE PROPERTY OF QSP. ANY REPRODUCTION IN PART OR AS A WHOLE WITHOUT THE WRITTEN PERMISSION OF QSP IS PROHIBITED.		A
				LM-350
				REV
				-
		SCALE: 1:36	WEIGHT:	SHEET 1 OF 3



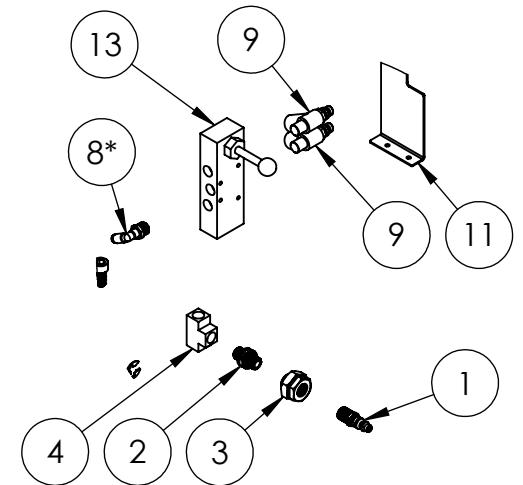
DETAIL B
SCALE 1 : 8

***ADD RED LOCTITE**

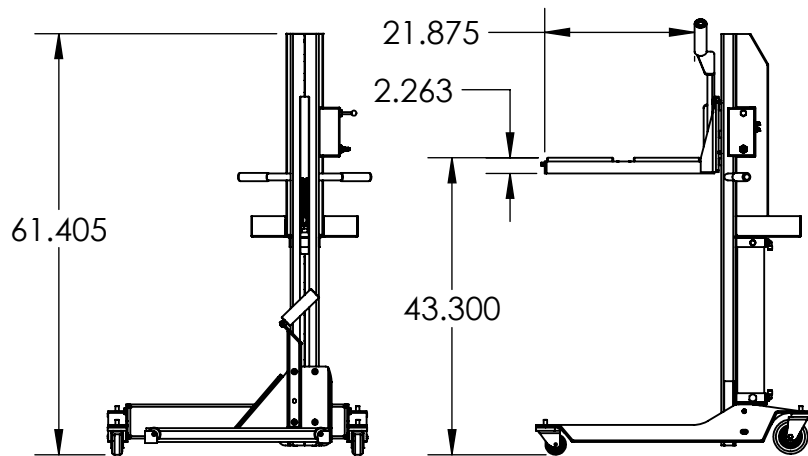
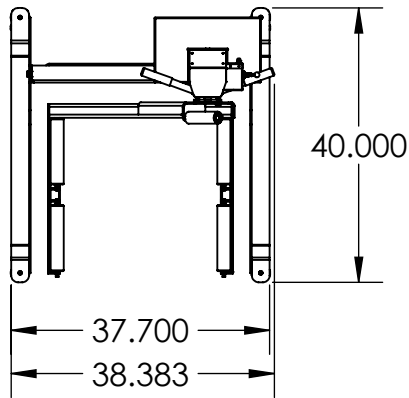



**CABLE ASSEMBLY
LM-500-705
NOT DEPICTED
ON PRINT**

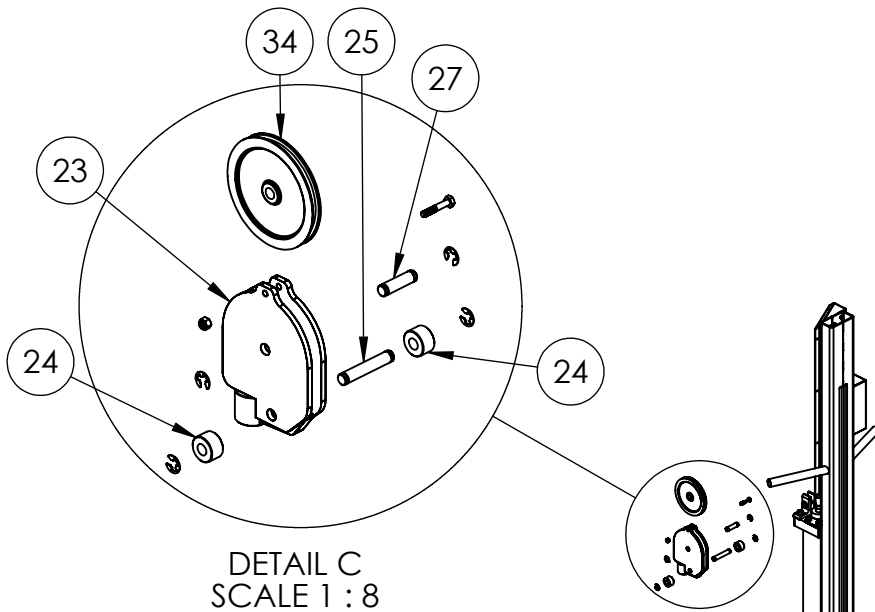
***ADD RED LOCTITE**



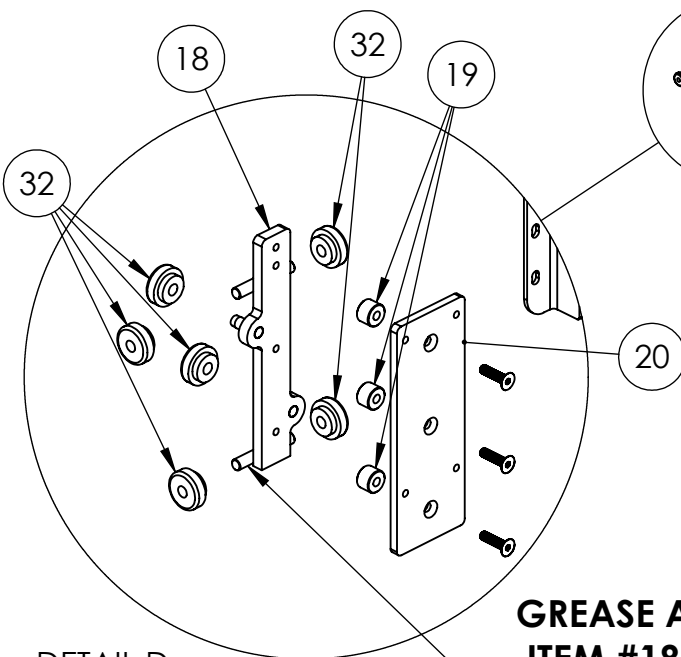
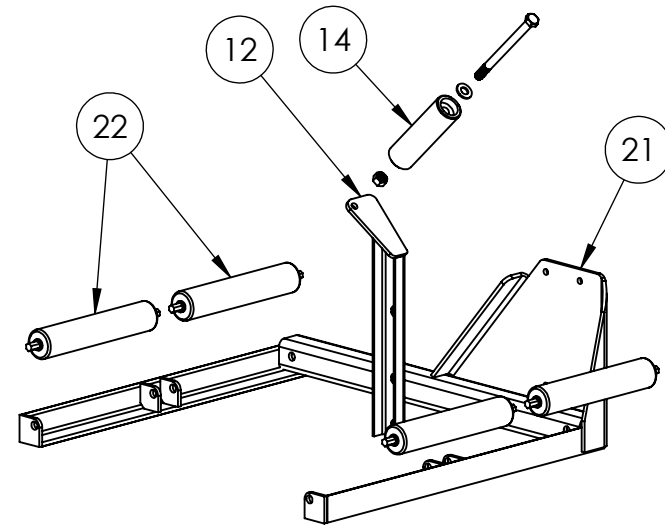
DETAIL A
SCALE 1 : 8



UNLESS OTHERWISE SPECIFIED:		NAME	DATE	
DIMENSIONS ARE IN INCHES TOLERANCES: FRACTIONAL ± .03" ANGULAR: MACH ± .1 BEND ± 1° TWO PLACE DECIMAL ± .01 THREE PLACE DECIMAL ± .005		DRAWN	PJA 07/17/14	
INTERPRET GEOMETRIC TOLERANCING PER: ANSI Y14.5		CHECKED		SIZE A DWG. NO. LM-350 REV -
MATERIAL ASSEMBLY		ENG APPR.		
FINISH RED		MFG APPR.		
DO NOT SCALE DRAWING		Q.A.		
		PROPRIETARY AND CONFIDENTIAL		
		THE INFORMATION CONTAINED IN THIS DRAWING IS THE SOLE PROPERTY OF QSP. ANY REPRODUCTION IN PART OR AS A WHOLE WITHOUT THE WRITTEN PERMISSION OF QSP IS PROHIBITED.		




DETAIL C
SCALE 1 : 8



DETAIL D
SCALE 1 : 8

**GREASE AXLES OF
ITEM #18 BEFORE
INSTALLING
WHEELS (#34) 6X**

UNLESS OTHERWISE SPECIFIED:		NAME	DATE		
DIMENSIONS ARE IN INCHES TOLERANCES: FRACTIONAL $\pm .03$ " ANGULAR: MACH $\pm .1$ BEND $\pm 1^\circ$ TWO PLACE DECIMAL $\pm .01$ THREE PLACE DECIMAL $\pm .005$		DRAWN	PJA 07/17/14		
INTERPRET GEOMETRIC TOLERANCING PER: ANSI Y14.5		CHECKED		SIZE DWG. NO. REV	
MATERIAL ASSEMBLY		ENG APPR.		A LM-350 -	
FINISH RED		MFG APPR.		SCALE: 1:24 WEIGHT: SHEET 3 OF 3	
DO NOT SCALE DRAWING		Q.A.			
		PROPRIETARY AND CONFIDENTIAL			
		THE INFORMATION CONTAINED IN THIS DRAWING IS THE SOLE PROPERTY OF QSP. ANY REPRODUCTION IN PART OR AS A WHOLE WITHOUT THE WRITTEN PERMISSION OF QSP IS PROHIBITED.			