

## Features of a Spectratek Short Wave IR curing system:

- Short, controlled curing times (Spectratek units cure a topcoat in about 7 minutes compared to 30-40 minutes for a convection oven).
- Largest uniform cure area - no hot or cold spots.
- Lower purchase and running costs than other conventional methods.
- CE compliant.
- Highest quality components.
- Compact, modular design.
- Designed and built in North America.
- Strong, stable, and rugged construction.
- Efficient on space.
- Easily moveable stand and effortless lamp unit adjustment, enable even the most inaccessible panels to be cured efficiently.
- Built-in safety features.
- Easy to use.
- Designed for a long life and covered by a comprehensive warranty.
- Robust, reliable electronics, designed for the harshest environment.

Get the highest quality paint job in the least amount of time and with the least cost... while conforming to environmental regulations.

PAINT MATERIAL	TOTAL CURING TIME
Top Coat	7-10 minutes
Non-Sanding	2-7 minutes
Water-Thinnable Filler	7-9 minutes
Primer	3-8 minutes
Polyester Filler/Stopper	2-3 minutes

### A Model to Suit Your Needs

Spectratek's Short Wave IR systems are designed to suit a wide range of applications. Spectratek offers the:

- Spectratherm™ 4000SD** (4kW 200V-240V)
- Spectratherm™ 4000SD** (4kW 380V-415V)
- Spectratherm™ 4000HSD** (8kW 200V-240V)
- Spectratherm™ 4000HSD** (8kW 380V-415V)
- Spectratherm™ 8000SD** (8kW 200V-240V)
- Spectratherm™ 8000SD** (8kW 380V-415V)
- Spectratherm™ 8000HSD** (16kW 200V-240V)
- Spectratherm™ 8000HSD** (16kW 380V-415V)

Other Models and electrical specifications available

## Solid Backing by Experts in the Industry

The founders of Spectratek™ have years of experience in the automotive paint field and the highest level of technical expertise in Short Wave Infra-Red technology as it applies to the automotive industry.

Spectratek™ is committed to developing the highest quality products and invests in extensive research, development, and testing. Ongoing research ensures that the products we develop will continue to effectively meet the needs of the Collision repair industry today and in the future.

All Spectratek™ products are supported by fully qualified service and distribution facilities. Servicing can be conducted onsite to minimize downtime and cost.

Contact Spectratek™ today.

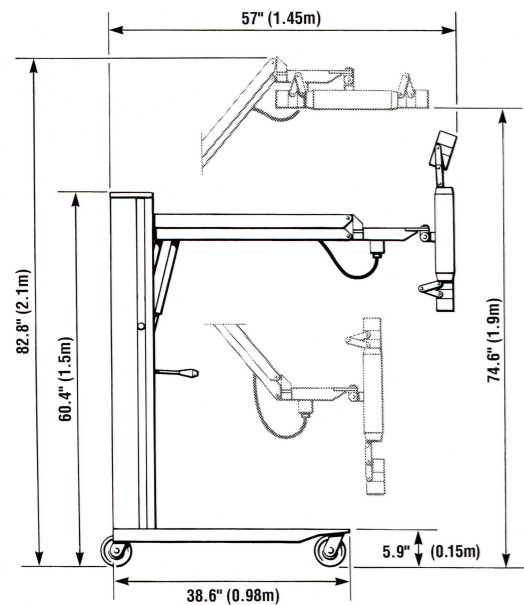
Due to our commitment to quality and service, design & specifications may change without notice.

AMH®

# spectratherm™

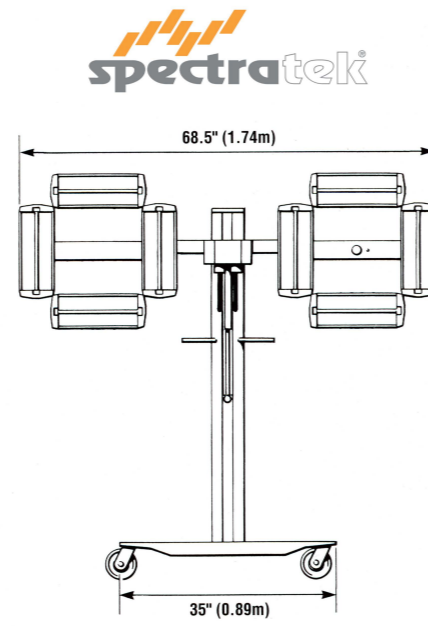
4000-8000

SHORT WAVE INFRARED CURING LAMPS



Patents Pending

4kW MODEL



8kW MODEL

Distributor

AMH Canada Ltd, 391 rue Saint-Jean-Baptiste Est, Rimouski (Québec) Canada G5L 1Z2  
 CANADA and other countries Tel: (418) 724-4105 Fax: (418) 722-6108 EUROPE Tel: ++33 616 995 408  
 USA Tel: (910) 371-9313 Fax: (910) 371-9417 ASIA: +86 10 88 86 40 98

Website: [www.amh.ca](http://www.amh.ca)

Email: [sales.amh@amh.ca](mailto:sales.amh@amh.ca)

Follow us on twitter @amhcanada

Join us at amhcanada



Short Wave IR Curing System for organic solvent based paint products and water based products. Less expensive to operate with better result and saves energy because drying can be focused on repaired area.

Thermal Integrated Sensor System (TISS) allows for fast set up and automatic regulation: Distance sensor emits audible tone for setting the proper distance from the panel. Heat sensor automatically adjusts the temperature throughout the curing process.

State of the art technology at your finger tips



# ....Turn Up the Heat

## on quality, productivity and profits

With the advent of regulations controlling paint product emissions, water-based and high solids paint products are becoming more and more commonly used in auto repairs. These new paints require longer drying times than traditional products... that is, using traditional curing methods.

The latest advance in curing technology, Short Wave Infrared (IR), is now available. Widely accepted in Europe, Short Wave IR and its unique benefits are fast becoming the industry standard worldwide.

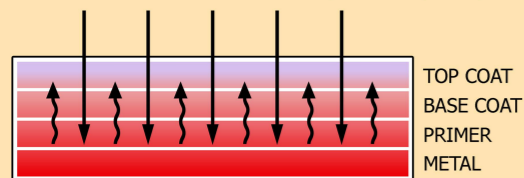
### Features of a Short Wave IR curing system compared to conventional methods:

- reduces curing times of organic solvent based paint products
- reduces drying times of water-based products
- instant on/off - no warm-up or cool-down periods
- dramatically less expensive to operate with better results
- saves energy because drying can be focused on repaired area, not the entire vehicle

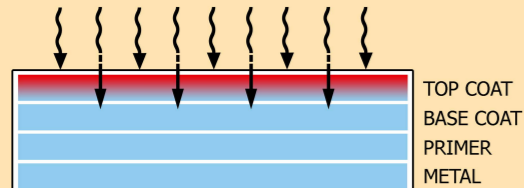
### Short Wave IR - Technology of the Future, Today

Short Wave IR is different from other curing methods in many ways. It dries and cures by penetrating through the wet coating and heating the layers underneath. A "bottom-up" cure is superior to the "top-down" process associated with other curing methods in that it produces a more thorough cure, and more heat can be applied without fear of skinning and solvent popping. Short Wave IR's higher heating temperatures reduce cure times and improve quality.

#### SHORT WAVE IR HEAT SOURCE ( Bottom-Up Cure)



#### CONVECTION HEAT SOURCE ( Top-Down Cure)



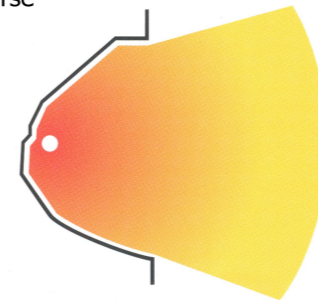
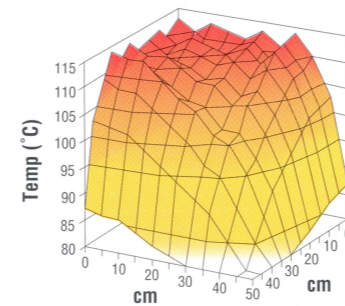
The Spectratek curing system's heating units consist of a tungsten filament, high-temperature halogen-filled quartz lamp, which is encased in an aluminium cassette head with a high precision thermal reflector.

## Spectratek Products Take the Next Step

Spectratek has taken the benefits of Short Wave IR technology and designed the most advanced curing system - with the highest value for the money.

Extensive research, development and attention to the smallest detail ensure that every component of a Spectratek curing unit is of the highest quality and

- optimizes the quality of the cure
- speeds the drying time
- saves energy, and
- provides the utmost safety.



The unique reflectors that envelop the lamps are specifically designed to direct all the energy from the lamps towards the vehicle.

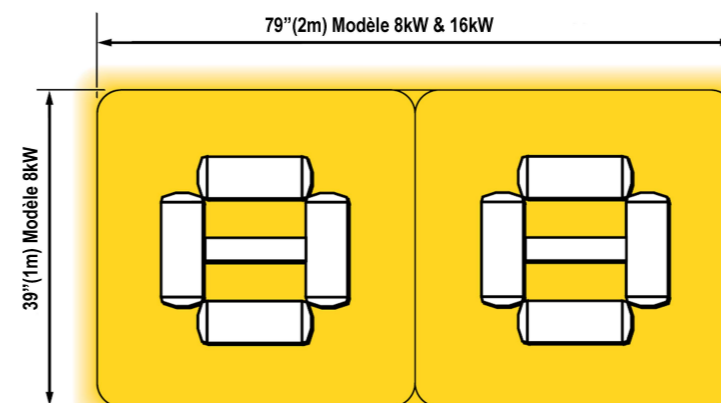
#### Temperature on the painted surface:

The temperature varies from 20°C to 90°C with 1,000W light bulb.

The temperature varies from 30°C to 200°C with 2,000W light bulb.

#### Efficient Lamp Units

The high-temperature halogen lamps, unique reflector and lamp array are all positioned for absolutely uniform heat distribution over the largest curing area. In addition, individual lamps can be angled to more closely match the contours of the vehicle.



#### Thermal Integrated Sensor System

Spectratek's unique and state-of-the-art Thermal Integrated Sensor System (TISS) is available on the "S" series of Spectratek systems. TISS takes the guesswork out of some of the most critical aspects of proper curing.

- TISS first helps you position the curing unit for optimum heating with an ultrasonic sensor.
- This sensor beeps when the unit is too far away or too close, and then becomes a continuous tone when the unit is at the ideal distance from the vehicle.
- Secondly, the integrated timer allows you to preset ramp times.
- Thirdly, state of the art optical sensor and electronics regulate the heating temperature based on the panel temperature desired. The spectratek system independently maintains a constant temperature thereby ensuring the highest quality finish even with a novice operator, without fear of over baking heat sensitive substrates.
- Finally, a laser beam system projects a circle of points plus a single point in the center. The laser circle blinks until the correct distance is reached.



#### Effortless Lamp Unit Adjustment

A gas cylinder locking allows an easy and effortless adjustment of the lamp unit.

#### Digital Adjustable Setup

Unlike many units which only offer half-power and full-power options, Spectratek provides variable power settings. This flexibility helps ensure optimum baking of more sensitive materials such as some plastics, composite materials, fiberglass, and treated metals.

\* Analog adjustable setup also available

CYCLE # 01  
00 00 50  
min min C  
Nb CYCLES: 01

>ENGLISH  
CELCIUS  
CENTIMETRES  
DISTANCE OFF

