

160 COMPUSPOT

Advanced Dent Puller for Professional Autobody Work

Professional dent puller with keypad control of time and power, including welding mode and language selection.

AMH[®]

**Power 208/240V, 30A main fuse
(also 380/415V, 20A main fuse).**

3,500A maximum output.

**Compact 11x 11x 9in (280x 280x 229mm).
Light weight (only 48lbs, 22kg).**

**Controls time and power separately
for superior performance.**

Quick change electrodes.

**Quick star washer dent pulling:
fast and easy to use slide
hammer included.**

**Weld studs (nails), washers,
rivets for interior and
window moldings (all tips
included).**

**Heat shrinking with cooper tip
or carbon rod for high spots.**

Easy access around vehicles.



No. Model (200-240V): 28.CFPS161
No. Model (380-415V): 28.CFPS164

State of the art technology at your finger tips

COMPUSPOT 160

Specifications

Input voltage.....	208-240V / 380-415V Single phase
Frequency.....	50/60 Hz
Fuse or breaker.....	20A (208-240V), 30A (380-415V)
Maximum welding current.....	3,500A
Open circuit voltage.....	10 Volts
Input cable.....	8 meters (25 feet)
Welding cable.....	2 meters (6.5 feet)



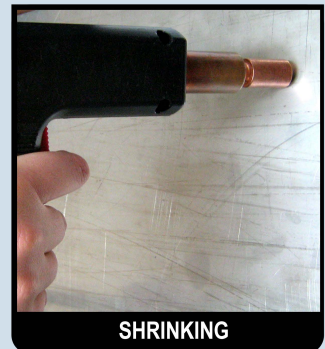
PANEL REFORMING

Comes Complete With:

Qty:	Description:	Part No.:
1	Welder CPS160	28.CPS161 (208-240V) or 28.CPS164 (380-415V)
1	Carbon electrode	02.205.01.60
1	Washer tip	04.PS.15.05
1	Shrinking tip	04.PS.15.10
1	Single spot tip	04.PS.15.18
1	Long stud tip (nails)	04.PS.15.25
1	Electrod for wiggle wire	04.PS.15.30
1	Adaptor holder for carbon rod	04.PS.20.36
1	Energic slide hammer with adaptor	13.PS.10.23
1	Ground plate Tightener	13.PS.10.45
1	5 Finger bear claw for hammer	13.155.10.46
1	Wiggle wire (1/2 lb/pk)	13.155.10.78
1	Nails (100/pk)	16.178.00.67
1	Welding washers (100/pk)	16.178.00.72



SLIDE HAMMER



SHRINKING



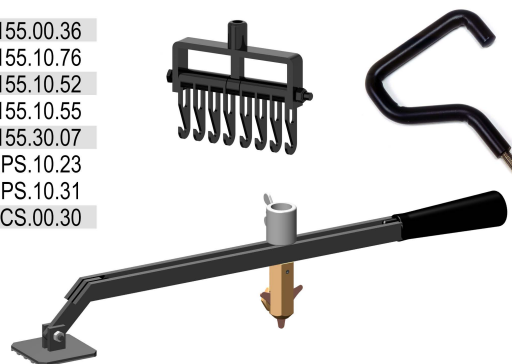
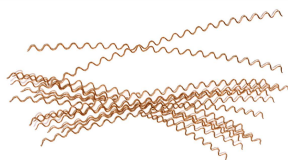
WIGGLE WIRE



WASHER WELDING

Optional Accessories

Star washer (10/pk)	13.155.00.36
Wiggle wire (1lb/pack)	13.155.10.76
8 Finger bear claw for jack	13.155.10.52
Handle for bear claw	13.155.10.55
Hand lifter	13.155.30.07
Mandrel for nail	13.PS.10.23
Hook mandrel for washer pulling	13.PS.10.31
Cart	14.CS.00.30



AMH Canada Ltd, 391 rue Saint-Jean-Baptiste Est, Rimouski (Québec) Canada G5L 1Z2

CANADA and other countries Tel: (418) 724-4105 • ASIA Tel: +86 10 88 86 40 98 • EUROPE Tel: +33 6 16 99 54 08 • USA Tel: (330) 519-5874

