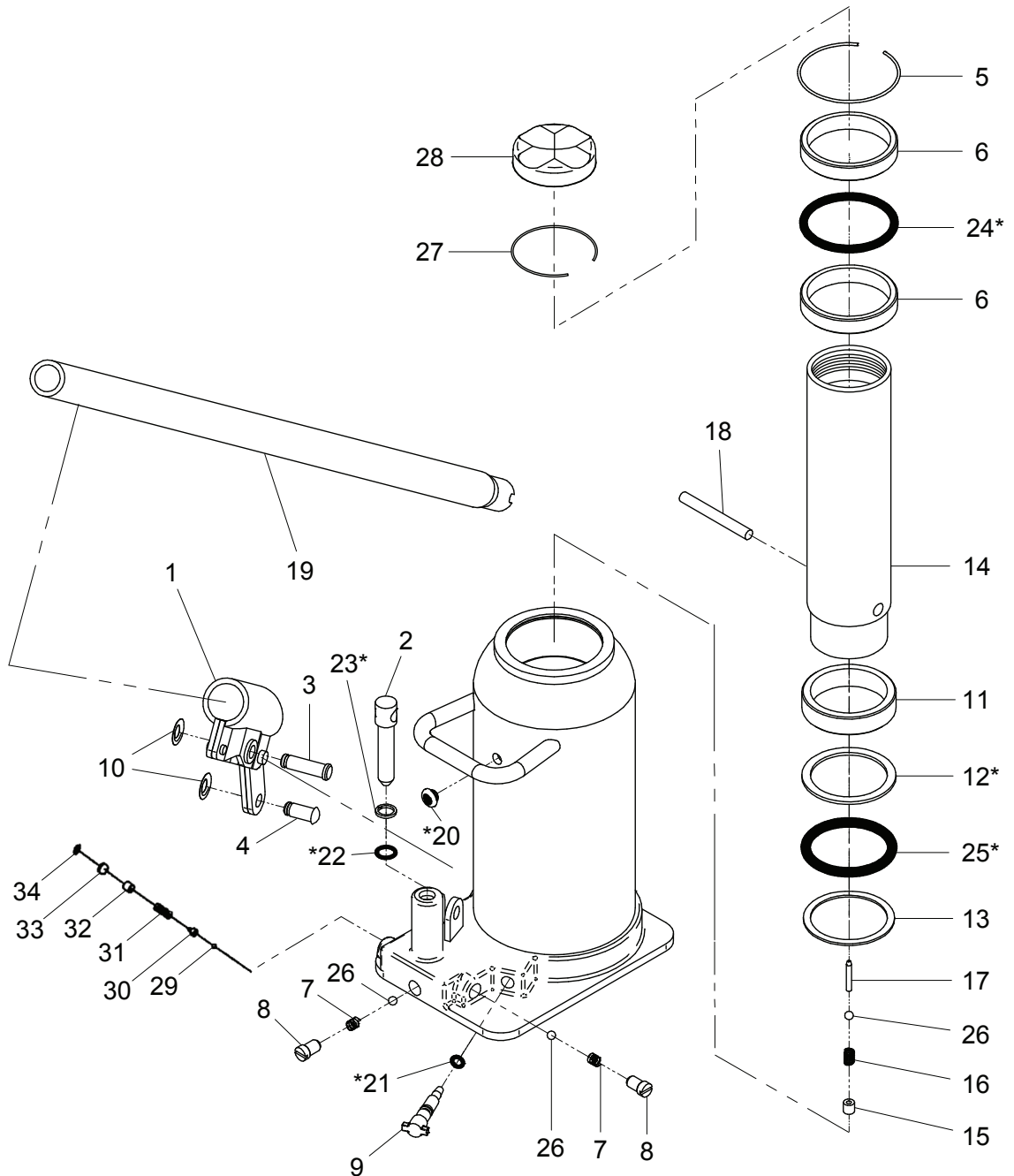


INDEX NO.	DESCRIPTION	PART NO.	REQ'D NO.
1	Lever Linkage Assembly	635101	1
2	Pump Plunger	635104	1
3	Pump Plunger Pin	635105	1
4	Pump Stay Pin	635106	1
5	Snap Ring - Ram	635107	1
6	Upper Bearing	635108	2
7	Safety Valve Spring	656024	2
8	Safety Valve Adj. Screw	656023	2
9	Release Valve	603182	1
10	Snap Ring	635115	2
11	Ram Bearing (A)	635116	1
*12	Ram Backup Ring	635117	1
13	Ram Bearing (B)	635119	1
14	Ram	635120	1
15	Ram Spring Stopper	621215	1
16	Ram Spring	621214	1
17	Vertical Pin	635123	1
18	Horizontal Valve Pin	635124	1
19	Handle	635126	1
*20	Oil Filler Plug	603192	1
*21	O-Ring M2.4 x 6.3	603183	1
*22	O-Ring M2.4 x 11.6	635109	1
*23	Backup Ring, Pump Plunger	635110	1
*24	O-Ring M5.7 x 61.6	635113	1
*25	O-Ring M7 x 57	635114	1
26	1/4" Dia. Check Ball	9004	3
27	Snap Ring - Saddle	635127	1
28	Saddle	635128	1
29	Check Ball	635129	1
30	Ball Seat	635130	1
31	Spring	635131	1
32	Safety Valve Adj. Screw	635132	1
33	Packing	635133	1
34	Push Nut	635134	1

*Items in Repair Kit 635100



REPLACEMENT PARTS

MODEL NO.
76535

CAPACITY
35 TON

DESCRIPTION
BOTTLE JACK

