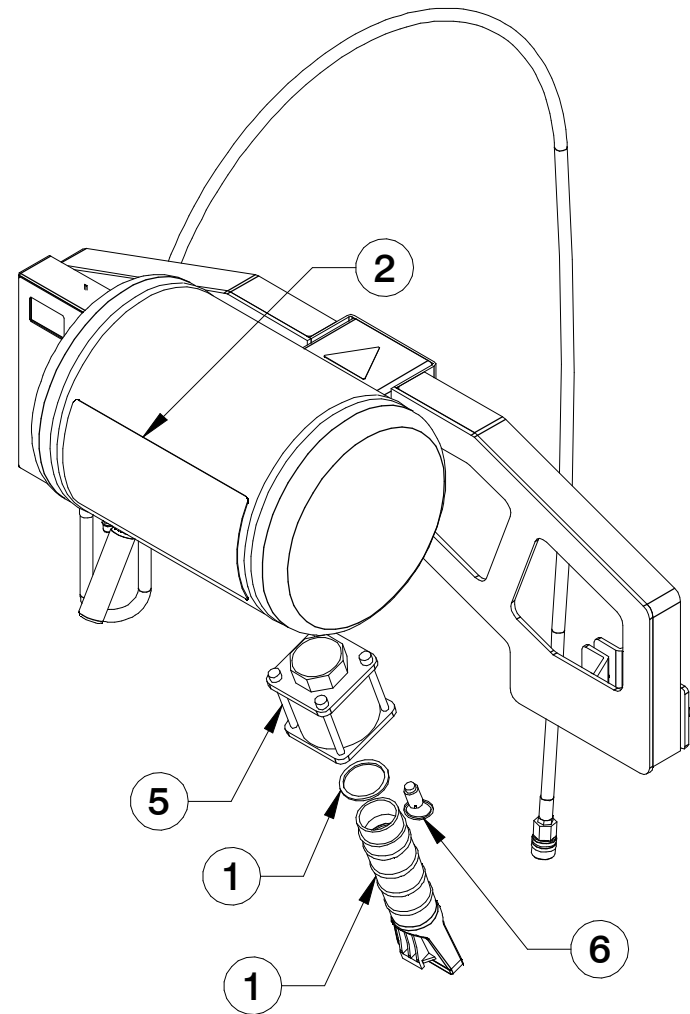
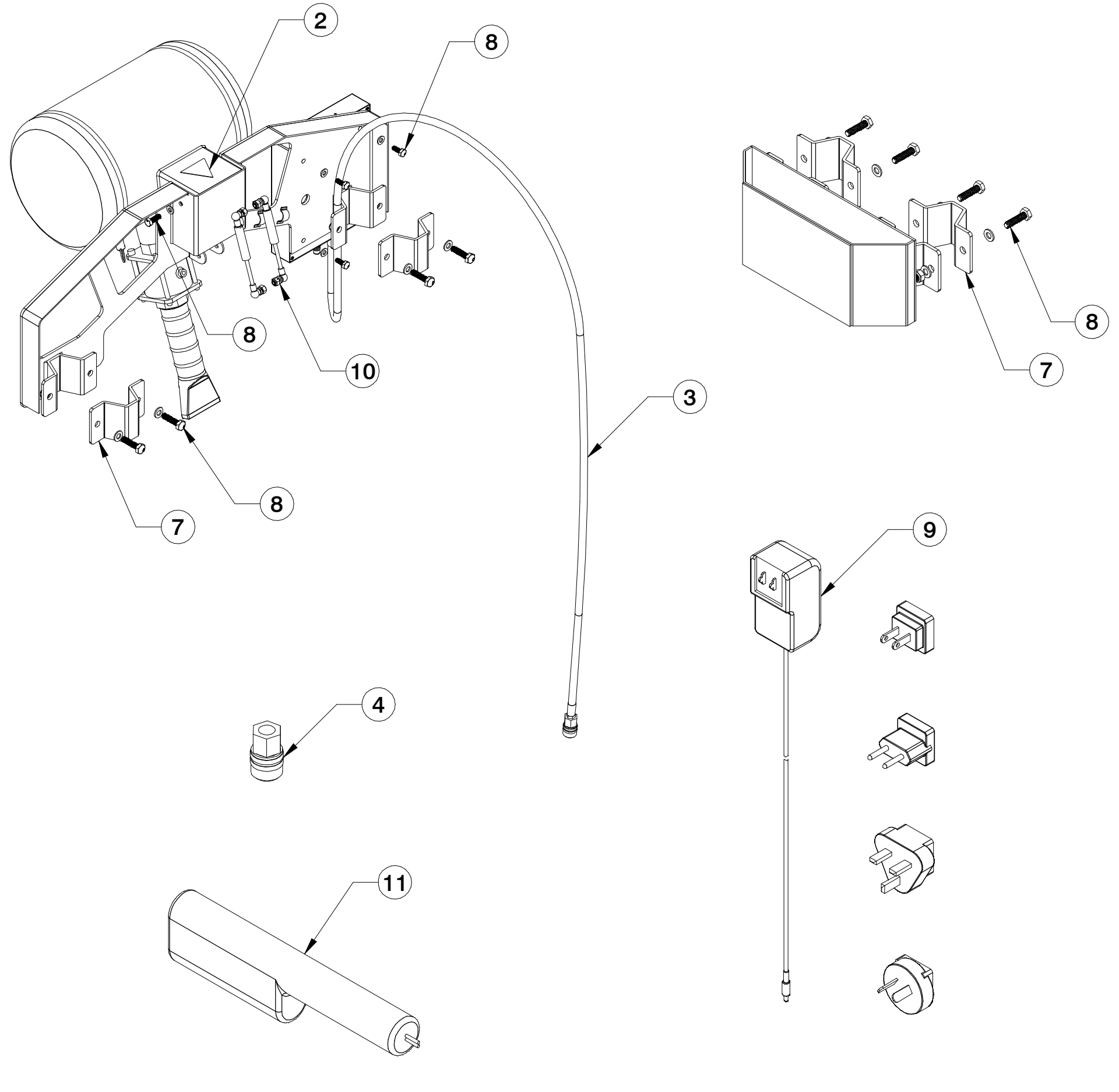


ITEM	DESCRIPTION	SP #
1	Nozzle kit	SP-0041
2	Product & Warning Label	SP-0060
3	Hose 6'	SP-0058
4	Open air chuck lock (x2)	SP-0053
5	Relief valve	SP-0061
6	Safety release valve	SP-0084
7	Bracket (x2)	SP-0062
8	Hardware kit	SP-0063
9	Charger DC12.6V - 1A, Type A-C-G-I	SP-0059
10	Gas Spring (x2)	SP-0081
11	Battery	SP-0206



ITEM	DESCRIPTION	SP #
1	Sticker	SP-0110

