



PROFESSIONAL LIFTING EQUIPMENT

Repair Parts Sheet

Air/Hydraulic Pump

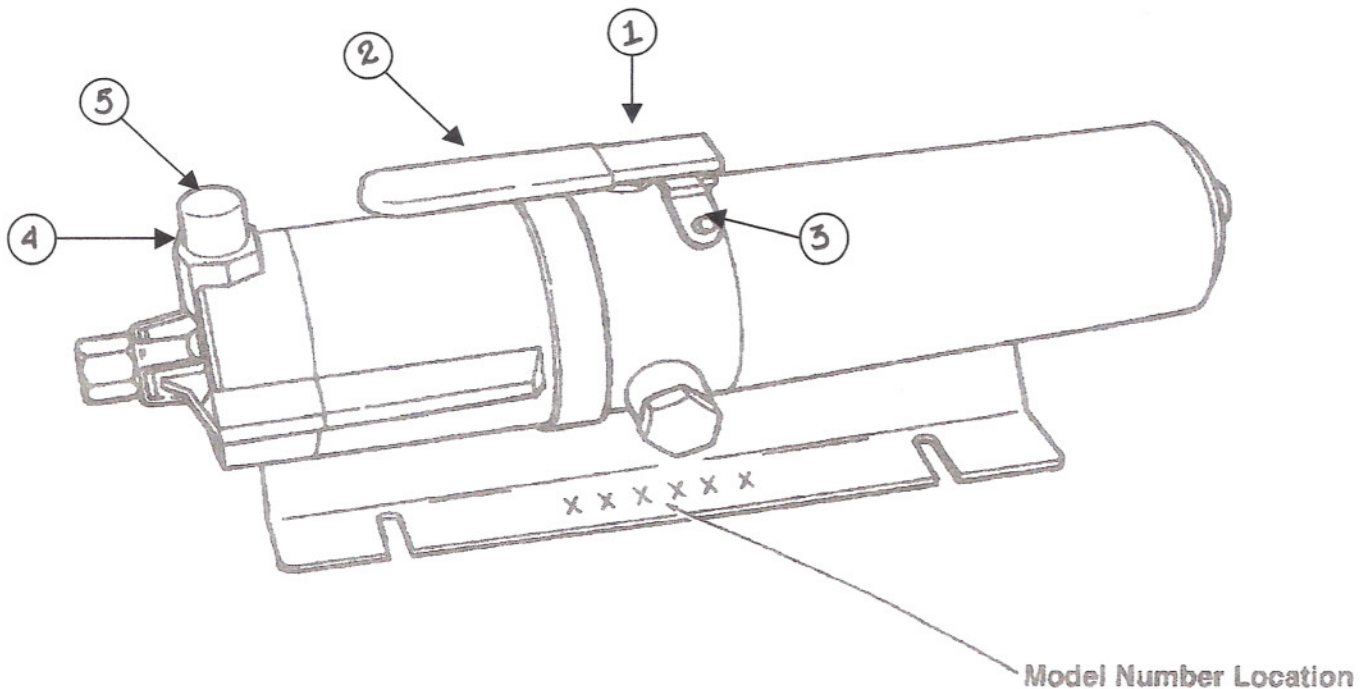
L2363

Rev. A

7/98

For models with date codes beginning with "C".

MODEL NO. 910020	
Rated Pressure	3,200 PSI
Reservoir Capacity	37.2 cu. in.
Operating Air Pressure	60-120 PSI
Relief Valve Setting	3,200-3500 PSI



Description	Norco Part Number
1. Handle	DC1393070
2. Handle Cover	U962043098
3. Handle Screws	CF318028
4. Poppet Guide Assembly	DA348900SR [Push Button]
5. Rubber Boot	A8093098

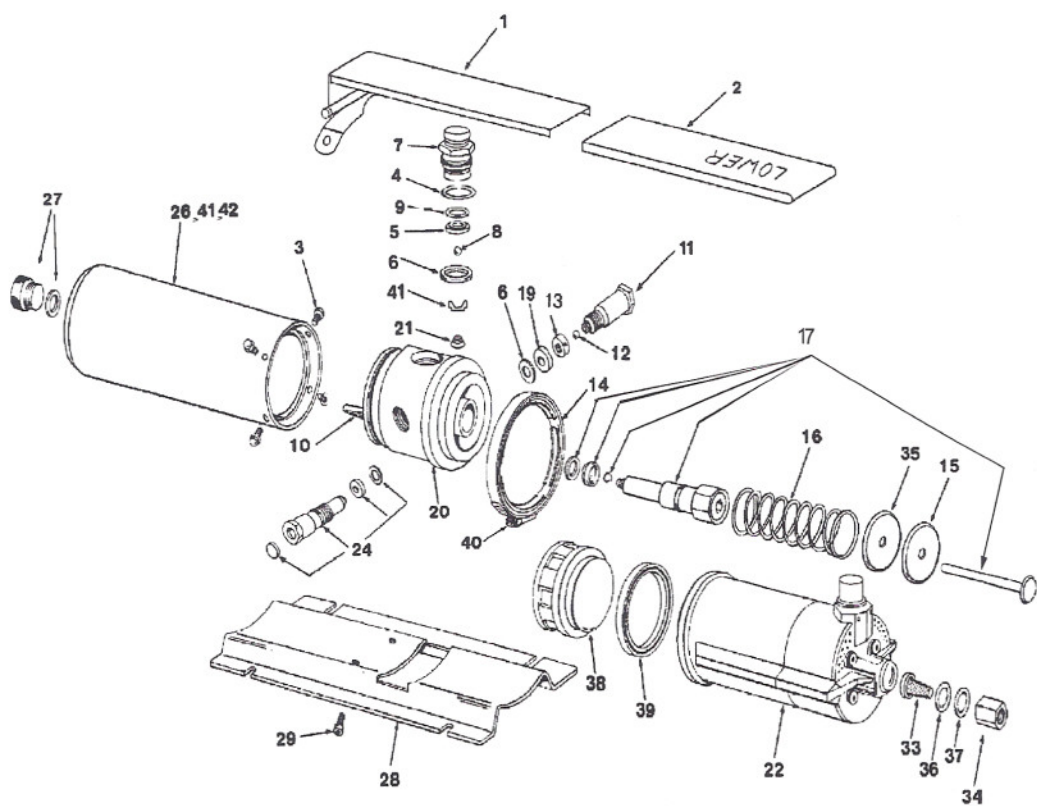


Figure 1.

REPAIR PARTS LIST (910020)

ITEM	PART NUMBER	QUANTITY	DESCRIPTION
1	DC1393070	1	Lever
2	U962043098	1	Cover
3	CF318028	4	Screw
4	★B1118903	1	O-Ring
5	★CB581290	1	Ball Seat
6	★P20037	2	Gasket
7	DA5302900SR	1	Release Plunger Ass'y (See Fig. 2)
8	★B1006016	1	⁷ / ₃₂ " Ball
9	★CL344167	1	Gasket
10	★CB981018	1	Filter
11	-----	1	Coupler Assembly (See Fig. 3)
12	★B1007016	1	¹ / ₄ " Ball
13	CH411013	1	Ball Guide
14	DA2687111	2	Clamp Bracket
15	A8009108	1	Washer
16	CH210110	1	Spring
17	CH203950SR	1	Hydraulic Cylinder Assembly (See Fig. 4)
19	★CH814290	1	Ball Seat
20	CL166950SR	1	Hydraulic Body Assembly
21	★DA5370110	1	Spring
22	DA658900SR	1	Air Motor Assembly (See Note "A")
24	CH207950SR	1	Relief Valve Assembly (See Fig. 5)
26	U972037025 DA1353900SR	1	Reservoir
27	CL164950SR	1	Reservoir Cap Assembly
28	CB108005SR	1	Base
29	B1320028	2	Capscrew
33	DA5015118SR	1	Filter Kit (includes items 36 and 37)
34	CL163950SR1	1	Coupler Repair Kit (includes items 33 and 37)
35	★DA7095108	1	Rubber Washer
36	★B1009503	1	O-Ring
37	★B1220503	1	O-Ring
38	CK354950SR	1	Air Piston Assembly (includes item 40)
39	★DA7154041	1	U Cup
40	DA2686299	1	Hose Clamp
41	DC1563013	1	Ball Guide
42	See EB921025 DA1353900SR	1	Reservoir Bladder
43	CF669096	1	Fitting

★ Indicates items included in, and available only as part of Repair Kit EOE3216K2.

NOTE A: Changes have been made in the design of the shuttle piston, end cover, and air cylinder that improve air motor performance. The new parts WILL NOT work when used with existing old style parts. If one of these parts requires replacement, a complete new air motor, P/N DA658900SR must be used.

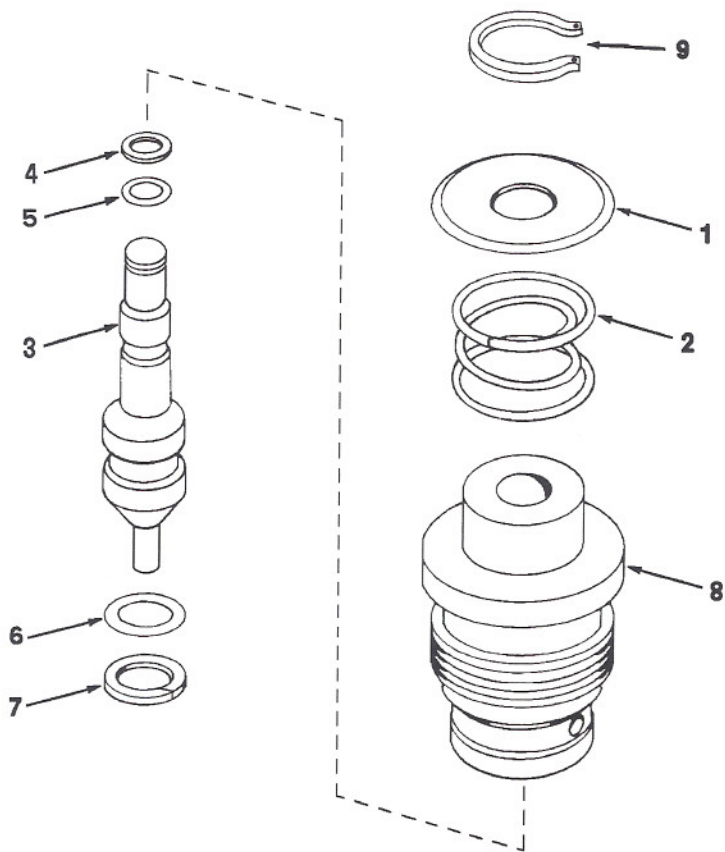


Figure 2. Release Plunger Assembly (DA5302900SR)

Drawing for component location only.

REPAIR PARTS LIST (910020)

ITEM	PART NUMBER	QUANTITY	DESCRIPTION
1	----	1	Spring Washer
2	----	1	Spring
3	----	1	Release Plunger
4	★	1	Back-Up Washer
5	★	1	O-Ring
6	★	1	O-Ring
7	★	1	Back-up Washer
8	----	1	Release Guide
9	----	1	Retaining Ring

Items not available separately, order complete Release Assembly.

★ Indicates items included in Repair Kit EOE3216K2.

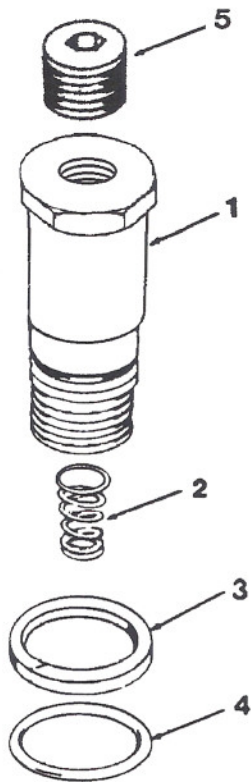


Figure 3. Coupler Assembly (Parts sold separately)

PARTS LIST

ITEM	PART NUMBER	QUANTITY	DESCRIPTION
1	DA657416	1	Coupler Body
2	★CA978110	1	Spring
3	★B1014565	1	Back-Up Washer
4	★B1220503	1	O-Ring
5	A8030006	1	Pipe Plug

★ Indicates items included in, and available only as part of Repair Kit EOE3216K2.

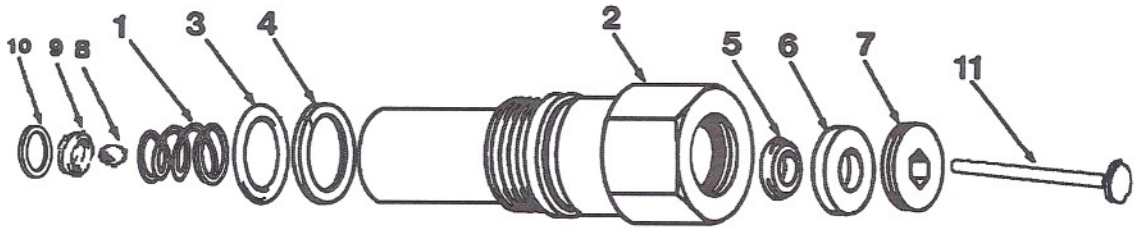


Figure 4. Hydraulic Cylinder Assembly CH203950SR

PARTS LIST

ITEM	PART NUMBER	QUANTITY	DESCRIPTION
1	★CK53110	1	Spring
2	---	1	Order Complete Ass'y
3	★B1221503	1	O-Ring
4	★B1015565	1	Back-Up Washer
5	★CB918041	1	U-Cup
6	CB624108	1	Bearing
7	DA1204044	1	Bearing Retainer
8	B1006016	1	$7/32$ " Ball
9	CH814290	1	Ball Seat
10	P20037	1	Gasket
11	CB180040	1	Plunger

★ Indicates items included in Repair Kit EOE3216K2.

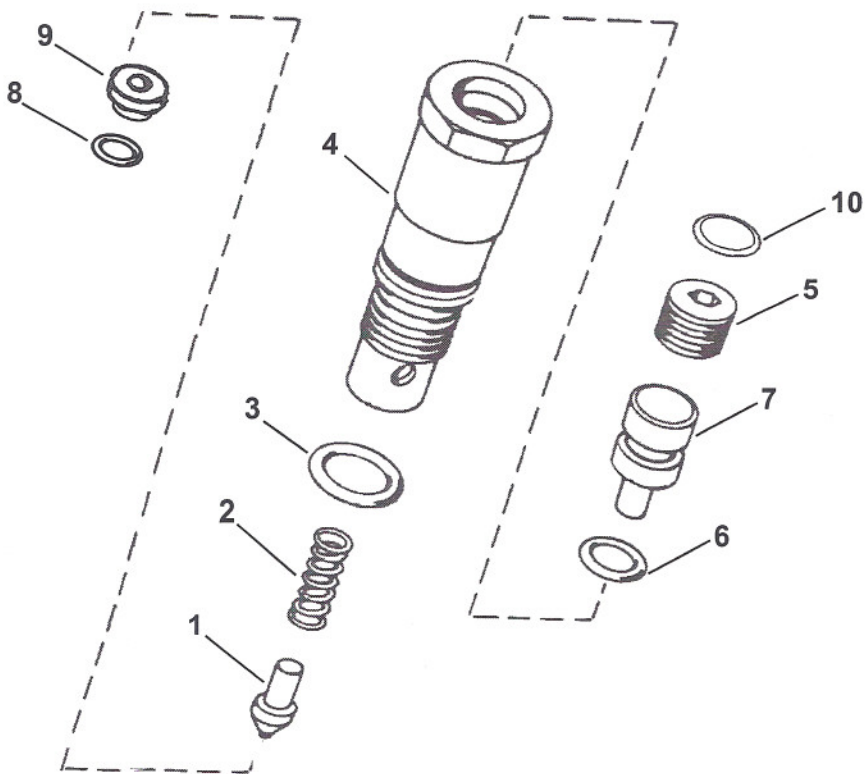


Figure 5. Relief Valve Assembly CH207950SR

PARTS LIST

ITEM	PART NUMBER	QUANTITY	DESCRIPTION
1	CH180950W	1	Ball Guide Assembly
2	★A8035110	1	Spring
3	★B1220503	1	O-Ring
4	---	1	Order Complete Assembly
5	L86028	1	Adjusting Screw
6	★B1003503	1	O-Ring
7	A8005007	1	Plug
8	P20037	1	Gasket
9	CB576290	1	Ball Seat
10	B161272	1	Relief Valve Plug

★ Indicates items included in Repair Kit EOE3216K2.