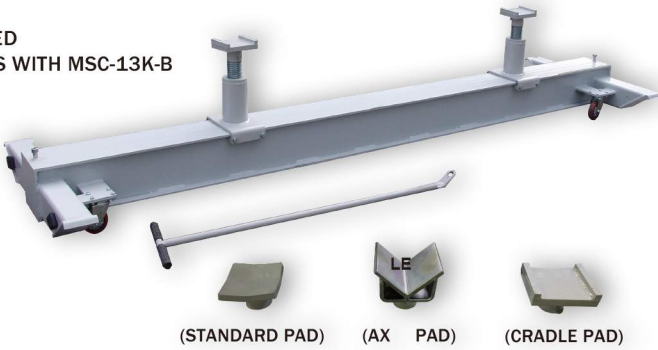


MSC18KX-CRSBM CROSS BEAM



- 22,000 - 33,000 lbs MAX SUPPORT CAPACITY
- REQUIRES TWO MSC-18KX COLUMN OPERATION
- ADJUSTABLE WIDTH AND HEIGHT PILLAR SUPPORTS
- STANDARD WITH 3 PAIRS OF DIFFERENT HD CONTACT PAD ADAPTERS
- POLY CASTERS
- TOW BAR
- ALI CERTIFIED
- ALSO WORKS WITH MSC-13K-B



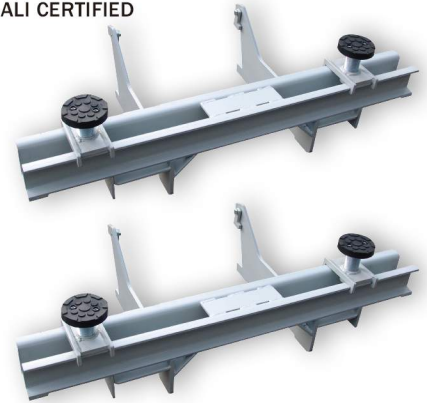
(STANDARD PAD) (AX PAD) (CRADLE PAD)

Included Adapters

MSC18KX-LTVAK LIGHT VEHICLE ADAPTER KIT



- 20,000 lbs MAX SUPPORT CAPACITY (10,000lbs. per ADAPTER)
- REQUIRES TWO MSC-18KX COLUMN OPERATION
- ADJUSTABLE WIDTH & HEIGHT PILLAR SUPPORTS
- STANDARD WITH HD SWIVEL, RUBBER CONTACT PADS
- WORKS ONLY WITH MSC-18K-X
- ALI CERTIFIED



MSC-STAND18X

HEAVY DUTY
HIGH RISE STAND



- 18,000lbs CAPACITY
- SPRING LOADED CASTERS
- ADJUSTABLE HEIGHT
- FOLDABLE DESIGN
- ALI CERTIFIED



MSC-44K-STAND-26

HEAVY DUTY LOW
RISE STAND

- 44,000 lbs. MAX SUPPORT CAPACITY
- ADJUSTABLE HEIGHT 16" - 26"
- SCREW TYPE PAD WITH THRUST BEARING



MSC-44K-STAND-46

HEAVY DUTY MID
RISE STAND

- 44,000 lbs. MAX SUPPORT CAPACITY
- ADJUSTABLE HEIGHT 26" - 46"
- SCREW TYPE PAD WITH THRUST BEARING



MSC-FORKSPACER FORKLIFT FORK SPACE SET



- 10,000lbs WEIGHT CAPACITY
- REQUIRES TWO MSC COLUMN OPERATION
- DESIGNED TO RAISE FORKLIFTS AT FRAME
- SPACER SECURELY FITS BETWEEN MSC LIFTING ARMS
- FITS BOTH MSC-13K-B & MSC-18K-X
- ALI CERTIFIED



MSC-FL-RAMPSET FORKLIFT RAMP SET

- 10,000lbs WEIGHT CAPACITY PER RAMP / PLATFORM
- ALLOWS FORKLIFT TO BE DRIVEN ONTO ELEVATED LIFTING POSITION
- DESIGNED TO WORK IN CONJUNCTION WITH FORKLIFT SPACERS
- FITS BOTH MSC13-B & MSC-18K-X

