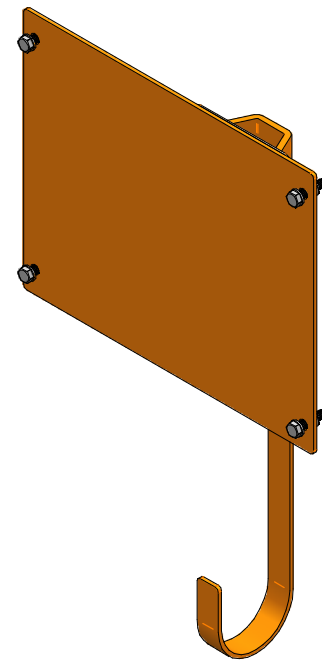
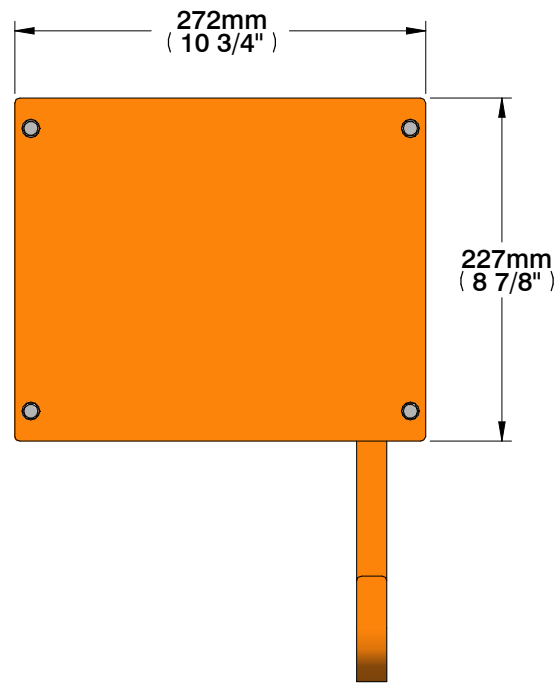
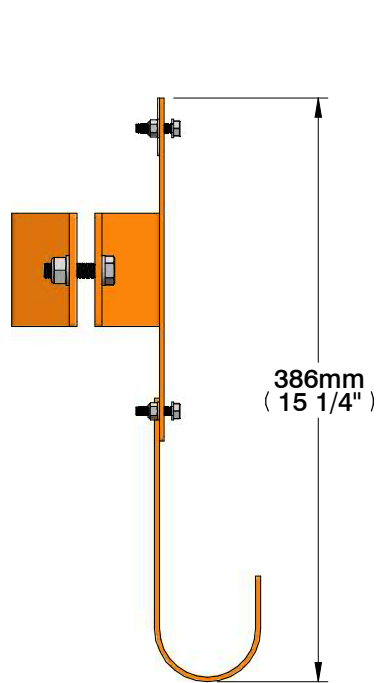
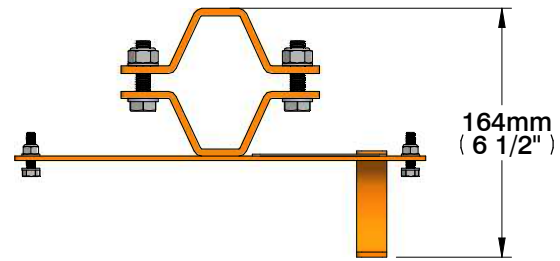


WEIGHT

3.1 kg / 7 lb

THIS DRAWING AND THE INFORMATION CONTAINED IN THIS DOCUMENT IS THE PROPERTY OF **INDUSTRIES MARTINS INC.** AND SHALL NOT BE REPRODUCED, COPIED, MODIFIED, OR USED WITHOUT THE WRITTEN PERMISSION OF **INDUSTRIES MARTINS INC.**



AUTOMATIC
INFLATOR AND MIC-4
(NOT INCLUDED)

(NOT INCLUDED)

