

22 Ton Jack Stands with Adjustable Screw Top Saddle

MODEL 10456

ESCO

NEW
ARRIVAL!

WARRANTY
1
YEAR



EASY ADJUSTMENT & PRECISION
Accurately adjust support height to desired location with 2 inches of customized adjustability in (3) locations.

BENEFITS & FEATURES:

- ▶ Designed with an adjustable screw style saddle that provides 2 inches of additional height for better accuracy while supporting load.
- ▶ Pin Style Column adjusts to Three different Axle Height Positions.
- ▶ Adjustable pin is secured to stand to prevent loss.
- ▶ Handle provides ease of positioning and carrying.
- ▶ 1/4 in. thick solid steel base plate for added stability.
- ▶ Support loads up to 22 Tons (44,000 lbs. per stand).

Specifications:

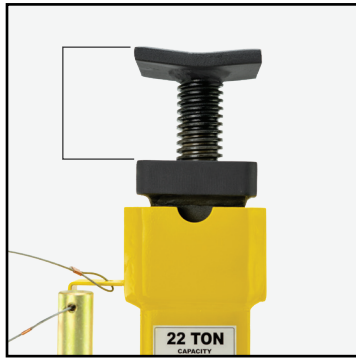
MODEL 10456

The **22 Ton Jack Stands with Adjustable Screw Top Saddle (Pair)** (MODEL 10456) are designed to support loads of up to 22 tons (44,000 lbs. per stand), making it ideal for a variety of industrial applications, including construction, semi-truck service/fleet, material handling, and any maintenance garage. Designed with an adjustable screw style saddle that provides 2 inches of additional height for better accuracy while supporting load.

The lifting column is easy to position and adjust, with three different axle height positions to choose from. Additionally, the stand features a locking pin holder to prevent loss and a 1/4 inch thick solid steel base plate for added stability. With a one-year warranty included, the **22 Ton Jack Stands with Adjustable Screw Top Saddle (Pair)** (MODEL 10456) are a reliable and versatile solution for heavy-duty lifting and support needs.

ADJUSTABLE SADDLE

Designed with an adjustable screw style saddle that provides 2 inches of additional height for better accuracy while supporting load.



SECURED HD PIN

Adjustable pin is secured to stand to prevent loss.



SPECIFICATIONS

Capacity	22 Tons 44,000 lbs.	Base Width	11 in. 279.5 mm
Minimum Height (Position 1)	15.5 in. 395 mm	Gross Weight	78 lbs. 36 kg
Middle Pin (Position 2)	17.5 in. 444.5 mm	Net Weight	76 lbs. 34.5 kg
Maximum Height (Position 3)	20.5 in. (22.5 in. with Extended Saddle) 520.7 mm (572 mm)	Package Dimensions	19 x 13 x 15 in. 483 x 330 x 381 mm
Saddle Extension	2 in. 51 mm	Warranty	One Year Warranty
Base Length	11 in. 279.5 mm	UPC (Universal Product Code)	816904025397

sales@esco.net **WWW.ESCO.NET** 1.800.352.9852

