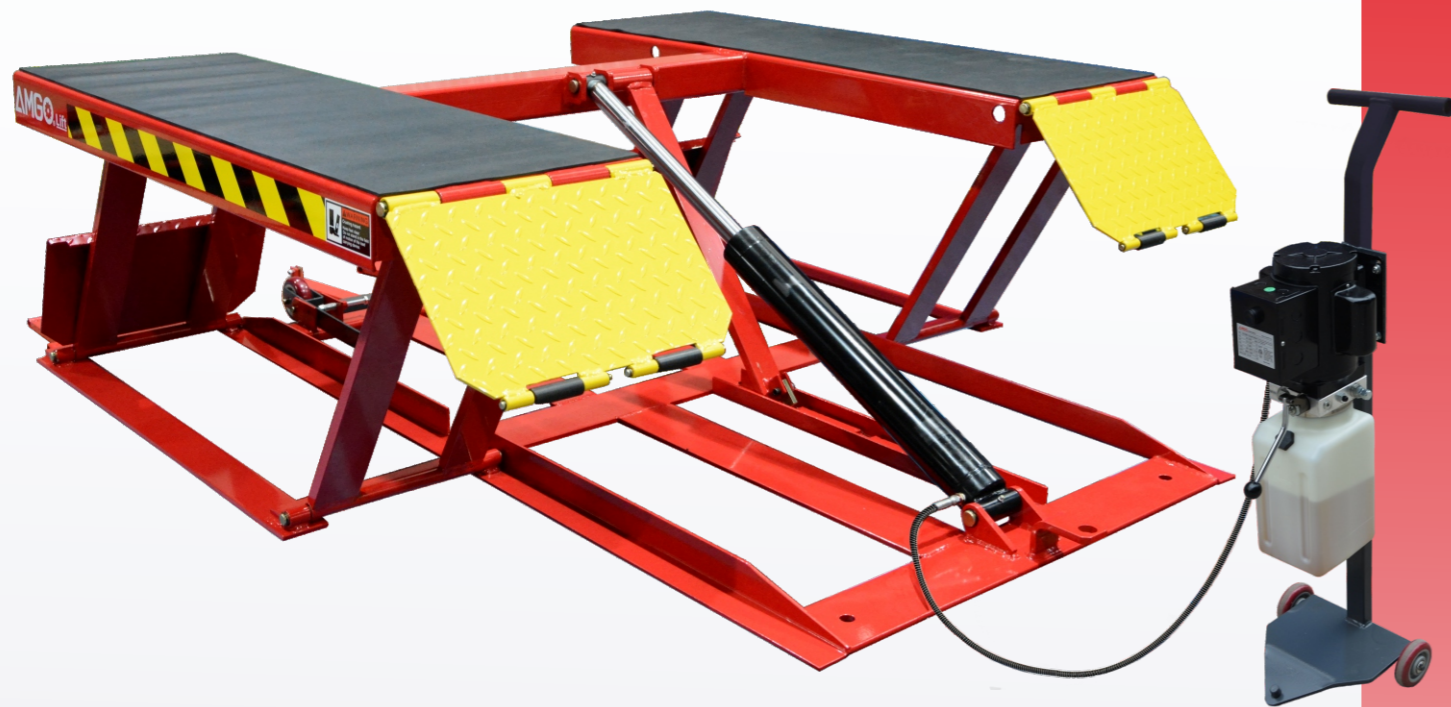


LOW-RISED PORTABLE LIFT

The Portable low-rised lift is an excellent choice for low ceiling or adding a bay for seasonal increases in business. Provides good working height for tires, brakes and body repairs.

LR06



Main Features

- ✓ Multiple safety locks with mechanical release.
- ✓ Portable, Easy to move with power unit stand.
- ✓ High speed: From 105-600 mm (4 1/8"-23 5/8") in just 25 seconds.
- ✓ High density rubber pads included.

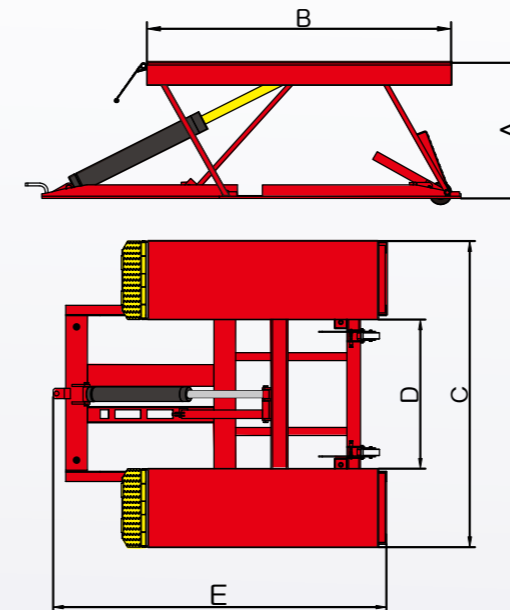


Rubber Lift Pads 1 1/2" height.



Multiple safety locks with mechanical release.

SPECIFICATIONS



Model	LR06	
Lifting Capacity	6,000lbs (2800kg)	
Lifting Time	25S	
Max. Lifting Height	A	23 5/8" (600mm)
Min. Height		4 1/8" (105mm)
Runway Length	B	53 1/4" (1352mm)
Overall Width	C	70" (1780mm)
Width Between Runways	D	34 1/8" (868mm)
Overall Length	E	76 1/4" (1938mm)
Gross Weight	849lbs (385kg)	
Motor	1.0HP,110V/60Hz,single phase	

AMGO HYDRAULIC CORPORATION

SC Division: 1931 Joe Rogers Jr Blvd, Manning, SC 29102, USA
Tel:(803)505-6410

TX Division: 4310 Adler, Suite 200, Dallas, TX 75211, USA