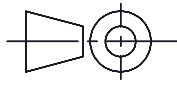
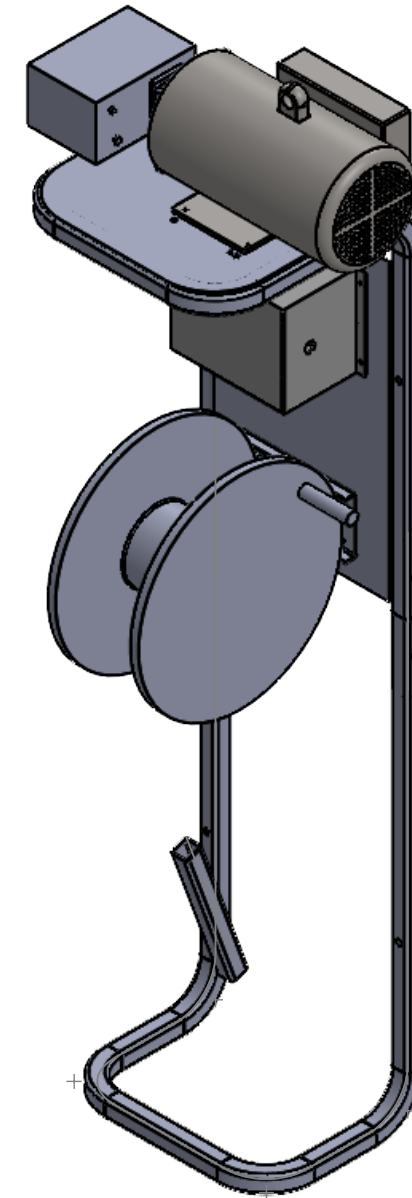
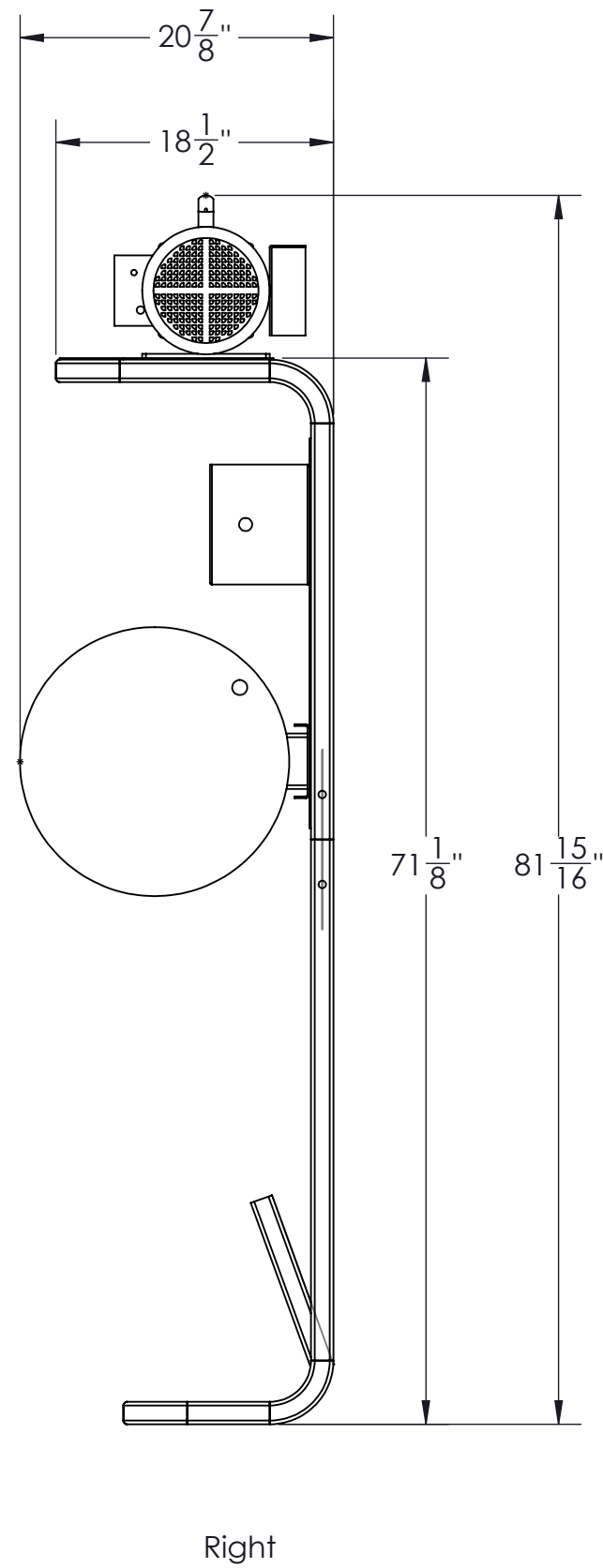
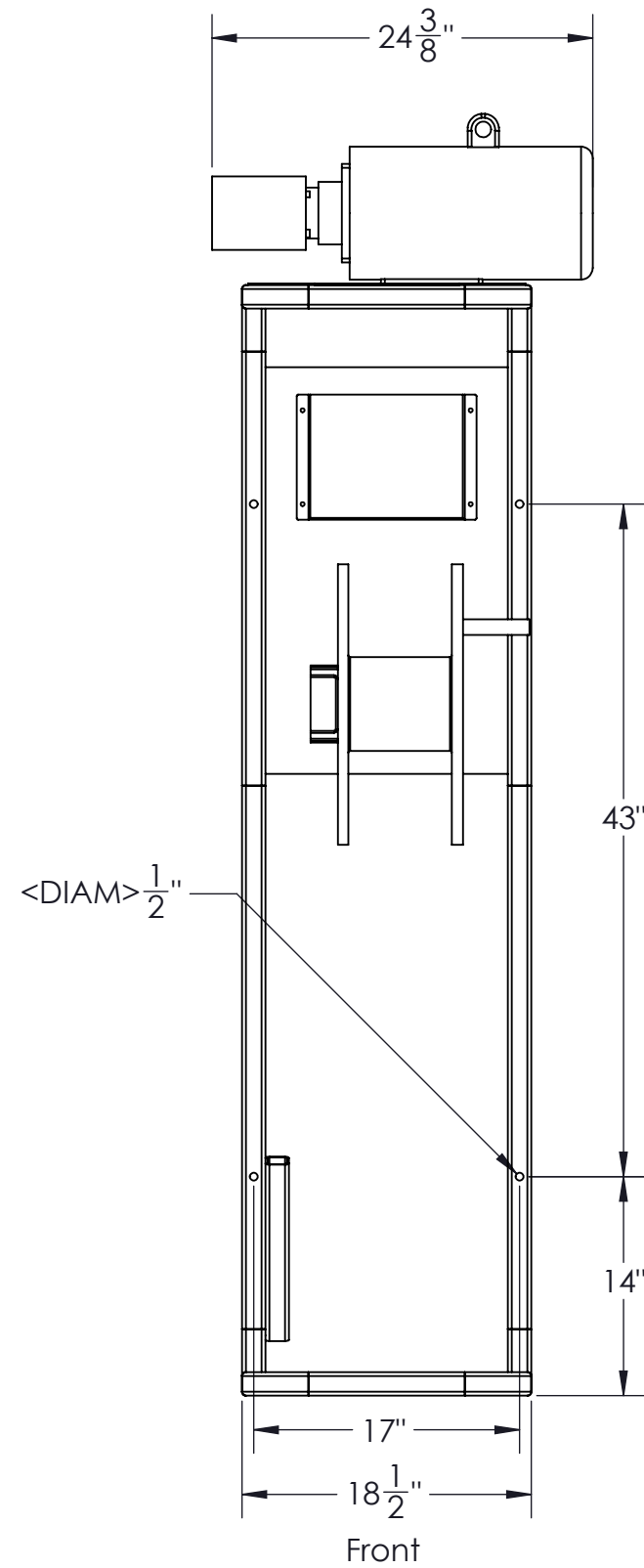


# EASY KLEEN PRESSURE SYSTEMS LTD



THIRD ANGLE PROJECTION



DRAWN		DATE		MATERIAL	SPEC.	SHEET No.	1 of 1
TRACED		ISSUE					
CHECKED		DATE				PART No.	
APPROVED		ISSUE		Description			
SCALE		DATE		FD2435E-GP			
		ISSUE					