



SERIES RT

Medium Duty Spring Retractable Reels

Spool is constructed from a rugged engineered plastic

Individually powder coated components offer maximum protection from premature corrosion

Steel guide arm and base are stamped with ribs and gussets to ensure maximum strength and lightest possible weight

Widened ratchet and latch pawl design greatly reduces wear and increases service life

Industrial-grade drive spring completely containerized and permanently sealed

Inlet hose is plumbed into the base to eliminate the risk of undue stress on the swivel

Guide arm adjusts to seven positions



RT650-OLP



AIR



WATER

I.D. Hose Sizes

1/4", 3/8", 1/2"

Reel Accessories

Part	Part Number	Specifications
Pivot Base	S600608	340°, Color: Black
Swing Bracket	600626	Wall Mount, Color: Black
Swing Bracket	600992	Wall Mount, Color: Red
Inlet Hose	Visit reelcraft.com for more information	

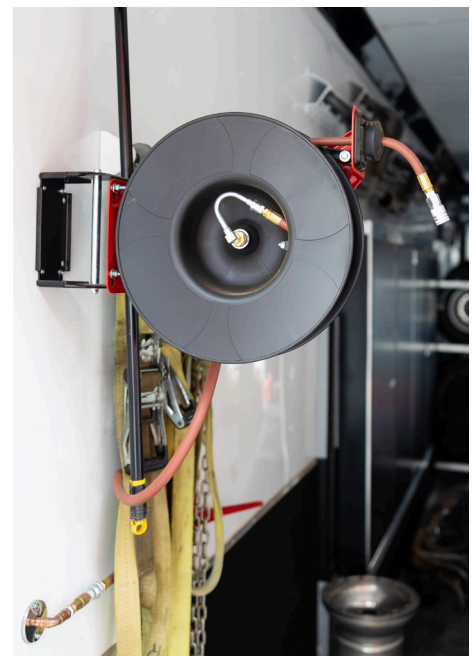
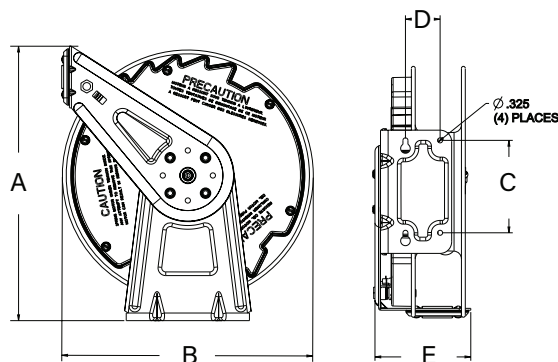
Model with Hose and Bumper	Shipping Weight		Hose I.D.		Hose O.D.		Hose Length		Max Pressure		NPT(M) Hose Outlet	NPT(F) Reel Inlet	NPT(F) Reel Outlet	Size Index #
	lbs	kg	in	mm	in	mm	ft	m	psi	bar	in	in	in	
Low Pressure Air/Water Reels														
					Maximum Temperature 150°F (65°C)					Maximum Working Pressure is at 70°F (20°C)				
RT425-OLP	19	9	1/4	6	.475	12	25	8	300	21	1/4	3/8	1/4	1
RT435-OLP	21	10	1/4	6	.475	12	35	11	300	21	1/4	3/8	1/4	1
RT450-OLP	24	11	1/4	6	.475	12	50	15	300	21	1/4	3/8	1/4	1
RT625-OLP	20	9	3/8	10	.600	15	25	8	300	21	1/4	3/8	1/4	1
RT635-OLP	21	10	3/8	10	.600	15	35	11	300	21	1/4	3/8	1/4	1
RT650-OLP*	27	12	3/8	10	.600	15	50	15	300	21	1/4	1/2	1/4	1
RT835-OLP	27	12	1/2	13	.750	19	35	11	300	21	1/2	1/2	1/2	1
RT850-OLP	37	17	1/2	13	.750	19	50	15	300	21	1/2	1/2	1/2	2

*Most popular models | Reels supplied with PVC hose.

Model without Hose and Bumper	Shipping Weight		Hose Capacity			Max Pressure		NPT(F) Reel Inlet	NPT(F) Reel Outlet	Size Index #			
	lbs	kg	Hose I.D.		Hose Length	psi	bar	in	in				
		in	mm	in	mm	ft	m						
Low Pressure Air/Water Reels													
					Maximum Temperature 150°F (65°C)								
RT405-OLP	21	10	1/4	6	.475	12	50	15	300	21	3/8	1/4	1
RT605-OLP	22	10	3/8	10	.600	15	50	15	300	21	1/2	1/4	1
RT802-OLP	27	12	1/2	13	.750	19	35	11	300	21	1/2	1/2	1
RT805-OLP	25	11	1/2	13	.750	19	50	15	300	21	1/2	1/2	2

Dimensions - Size Index

	1		2	
	in	mm	in	mm
A	17 7/8	454	17 7/8	454
B	16 1/2	419	16 1/2	419
C	6	152	6	152
D	2 1/4	57	2 1/4	57
E	6 1/4	159	7 3/4	197



Interactive Reel Catalog

