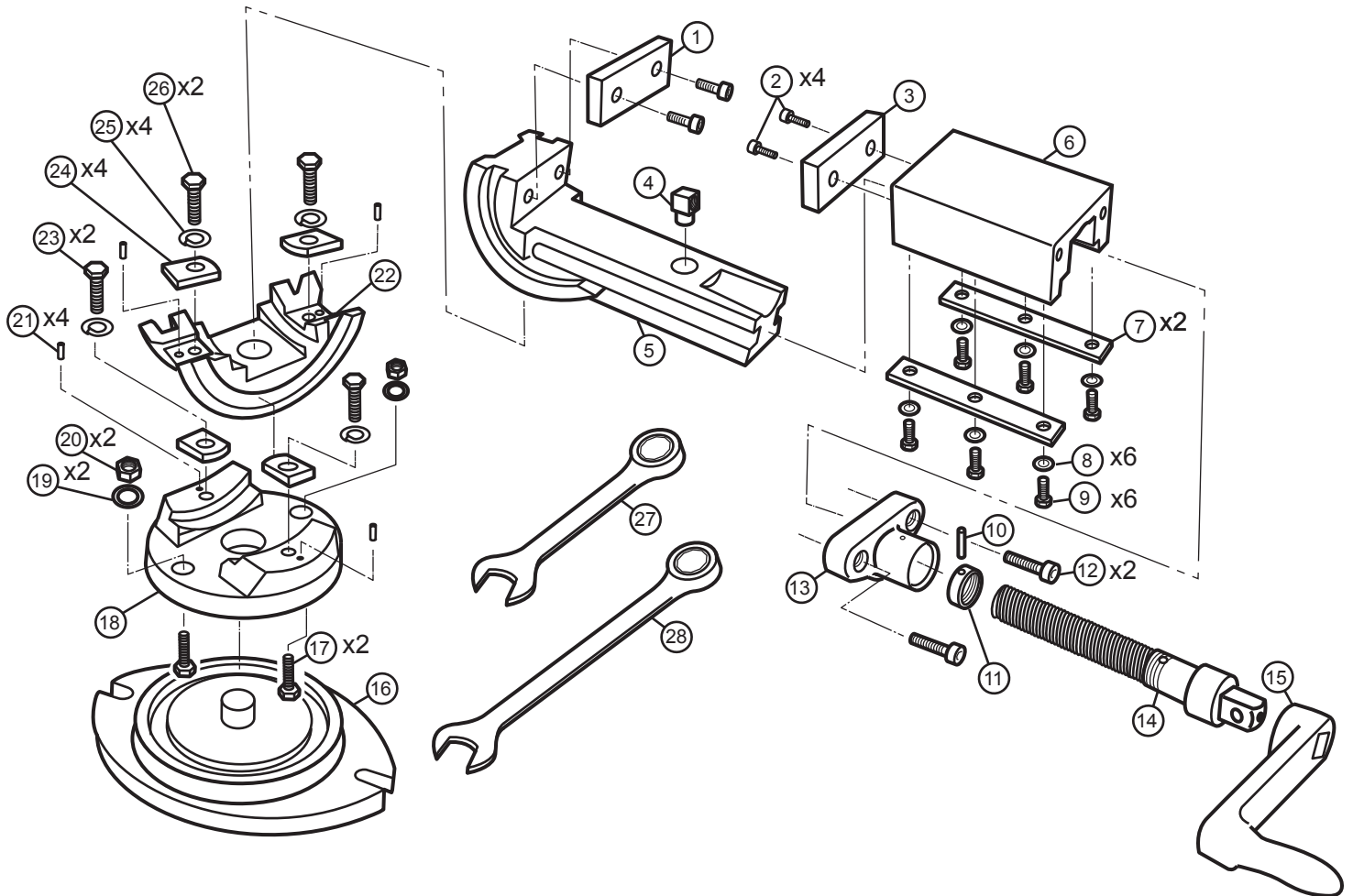




Super Precision 3-Axis Tilting Machine Vise Parts Diagram

3" Jaw Width, 3" Jaw Opening, 1-5/16" Jaw Depth

Stock #: 11701 Model #: TLT/SP-75



#	Part	Description	Qty
1	11701-01	Fixed Jaw Insert	1
2	11701-02	Socket Head Cap Screw	4
3	11701-03	Movable Jaw Insert	1
4	11701-04	Fixed Nut	1
5	11701-05	Vise Body	1
6	11701-06	Movable Jaw	1
7	11701-07	Slide Plate	2
8	11701-08	Flat Washer	6
9	11701-09	Hex Cap Screw	6
10	11701-10	Roll Pin	1
11	11701-11	Collar	1
12	11701-12	Socket Head Cap Screw	2
13	11701-13	Sleeve	1
14	11701-14	Clamp Screw	1

#	Part	Description	Qty
15	11701-15	Handle	1
16	11701-16	Swivel Base	1
17	11701-17	Hex Cap Screw	2
18	11701-18	Turret	1
19	11701-19	Flat Washer	2
20	11701-20	Hex Nut	2
21	11701-21	Pin	4
22	11701-22	Trunnion	1
23	11701-23	Hex Cap Screw	2
24	11701-24	Curved Washer	4
25	11701-25	Lock Washer	4
26	11701-26	Hex Cap Screw	2
27	11701-27	Combination Wrench	1
28	11701-28	Combination Wrench	1