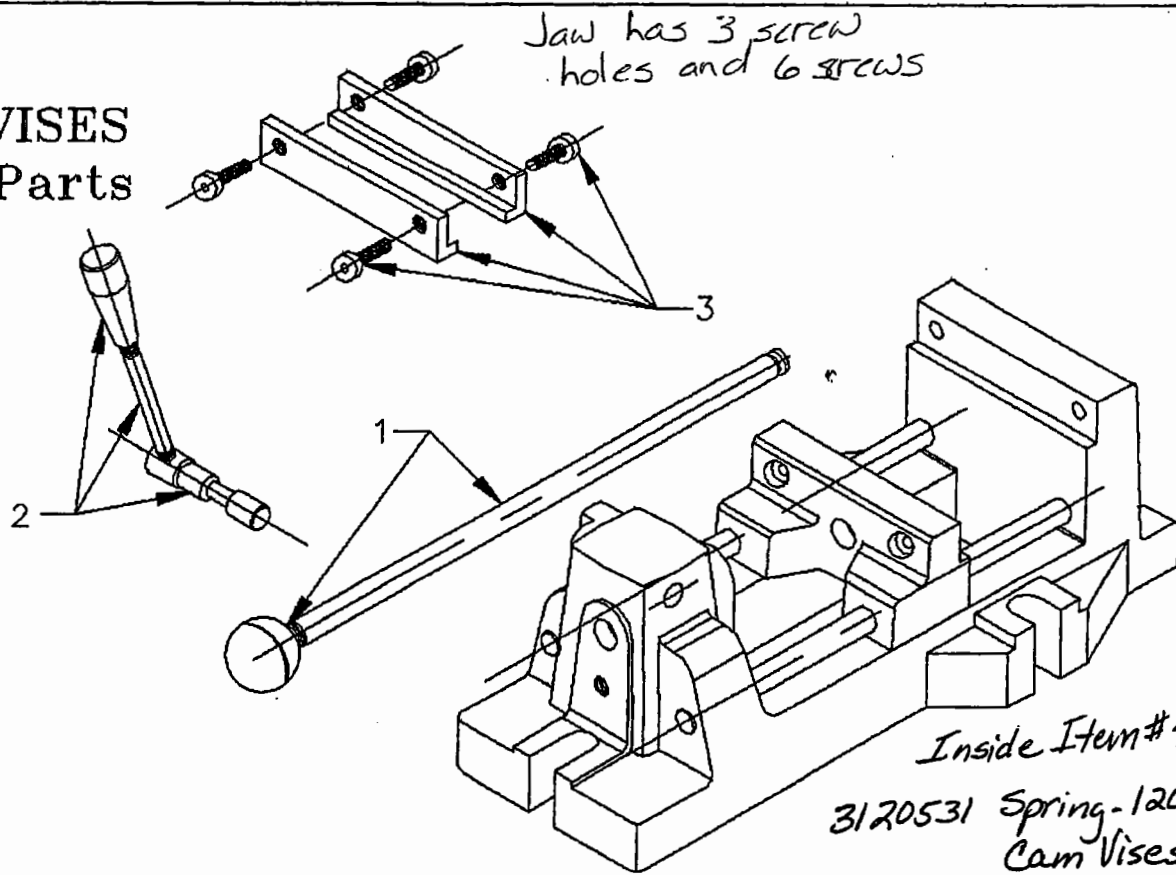


CAM ACTION DRILL PRESS VISES Replacement Parts



WILTON[®]

3120531 Spring-1206/1208
Cam Vises
3120541 Lock Spring 1206/1208
Cam Vises

WILTON MODEL NUMBER	WISE JAW WIDTH	WISE JAW OPENING	WISE MOUNTING POSITION	ITEM #1 PUSH BAR WITH BALL	ITEM #2 LOCKING HANDLE WITH KNOB	ITEM #3 VISE JAW INSERT
1203	3"	3"	FLAT ONLY	3120131	3120151	3120161
1204	4"	4-1/2"	FLAT ONLY	3120331	3120351	3120361
1206	6"	6"	FLAT ONLY	3120481	3120511	3120521
1208	6"	8"	FLAT ONLY	3120631	3120511	3120651
1213	3"	3"	FLAT & ONE SIDE	1700390*	3120151	3120161
1214	4"	4-1/4"	FLAT & ONE SIDE	1700410*	3120351	3120361
1224	4"	4-1/4"	FLAT & BOTH SIDES	1700420*	3120351	3120361

* DISCONTINUED MODELS, PARTS AVAILABLE WHILE SUPPLIES LAST.