




Plastic Utility Carts

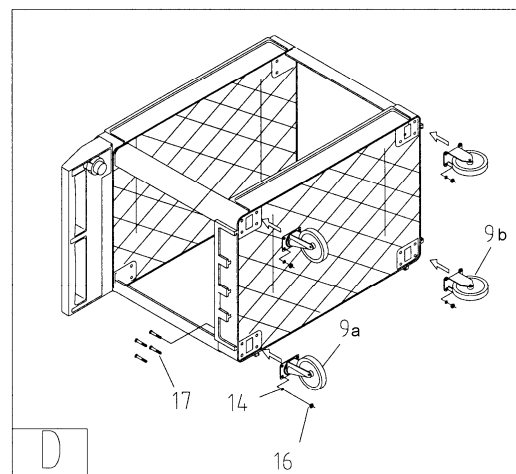
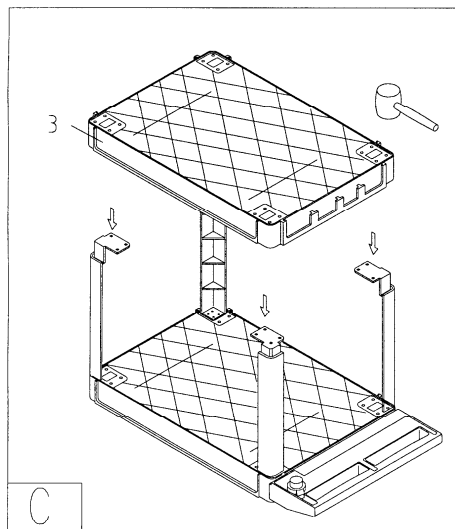
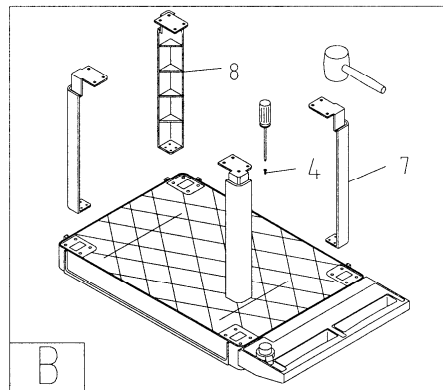
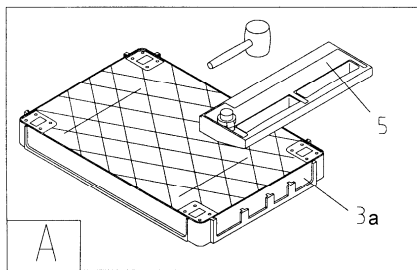
Models PUC-3117 and PUC-3725

IMPORTANT SAFETY INSTRUCTIONS

- Review all instructions before assembling the cart.
- Improper assembly can cause personal injury and/or property damage.
- Maximum load is 500 lbs. distributed evenly. Do not overload cart.
- Do not step into or on the cart, or use it as a toy.

 **WARNING:** This product can expose you to chemicals including lead which is known to the State of California to cause cancer and birth defects or other reproductive harm. For more information go to <http://www.p65warnings.ca.gov>.

To assemble the cart, follow the illustrations below. You will need a cross-point screwdriver and a rubber or wood mallet. Use the mallet to tap down the parts to ensure they are seated properly before fastening them with screws. (NOTE: Numerals refer to parts list on reverse side of this sheet.)



JET

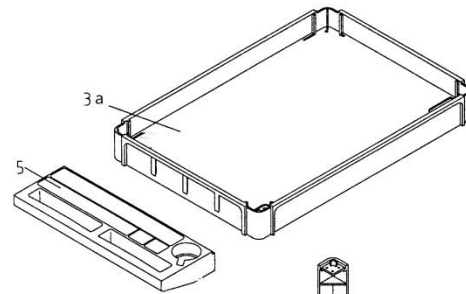
427 New Sanford Road
LaVergne, Tennessee 37086
Ph.: 800-274-6848
www.jettools.com

Part No. M-140018
Revision C1 08/2018
ECR 180826184358

Copyright © 2018 JET, a Division of JPW Industries, Inc.

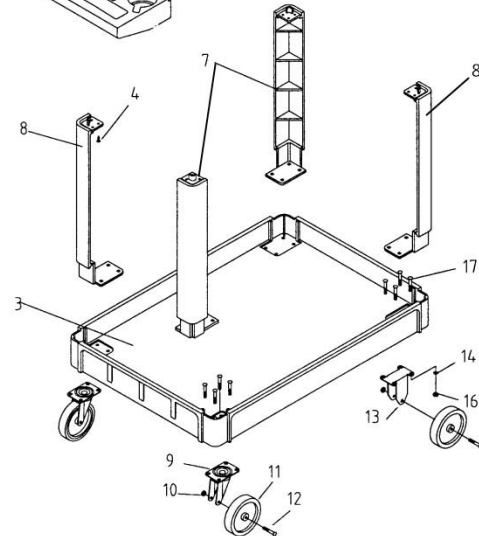
Specifications: PUC-3117

Stock Number 140018
 Maximum Capacity (lbs.)..... 500
 Platform Size (in.)(LxWxH)..... 31 x 17 x 4.33
 Upper Platform Height (in.) 33½
 Height between Platforms (in.)..... 19.68
 Low Platform Height (in.)..... 6
 Caster Size (in.)(O.D. x W) 5 x 1
 Overall Size (in.)(LxWxH)..... 39¾ x 17 x 33½
 Approx. Net Weight (lbs.) 35
 Approx. Shipping Weight (lbs.) 40



Specifications: PUC-3725

Stock Number 140019
 Maximum Capacity (lbs.)..... 500
 Platform Size (in.)(LxWxH).... 37.40 x 25½ x 4.33
 Upper Platform Height (in.) 33½
 Height between Platforms (in.)..... 19.68
 Low Platform Height (in.)..... 6
 Caster Size (in.)(O.D. x W) 5 x 1
 Overall Size (in.)(LxWxH)..... 46 x 25½ x 33½
 Approx. Net Weight (lbs.) 45
 Approx. Shipping Weight (lbs.) 50



Parts List

Index No.	Part No.	Description	Size	Qty
3a	PUC3117-3a	Upper Platform (for model PUC-3117)		1
	PUC3725-3a	Upper Platform (for model PUC-3725)		1
3	PUC3117-3b	Platform (for model PUC-3117)		1
	PUC3725-3b	Platform (for model PUC-3725)		1
4	PUC3117-4	Cross Head Screw	M6x25	12
5	PUC3117-5	Handle (for model PUC-3117)		1
	PUC3725-5	Handle (for model PUC-3725)		1
7	PUC3117-7a	Right Leg	R	2
8	PUC3117-8a	Left Leg	L	2
9a	PUC3117-SCA	Swivel Caster Assembly (includes index no. 9 thru 12)		2
9b	PUC3117-FCA	Fixed Caster Assembly (includes index no. 10 thru 13)		2
9	PUC3117-9	Swivel Caster Mount		2
10	TS-1541031	Nylon Lock Hex Nut	M8	4
11	PUC3117-11	Caster		4
12	PUC3117-12	Axle Bolt	M8 x 45	4
13	PUC3117-13	Fixed Caster Mount		2
14	TS-2361081	Lock Washer	M8	16
16	TS-1540061	Hex Nut	M8	16
17	PUC3117-17	Special Screw	M8 x 45	16