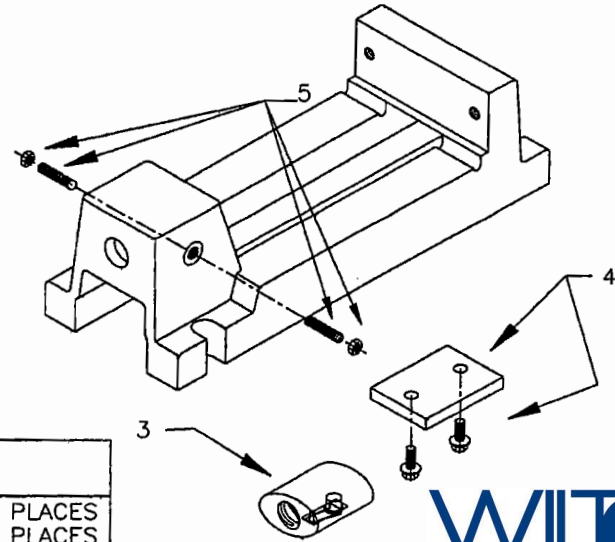
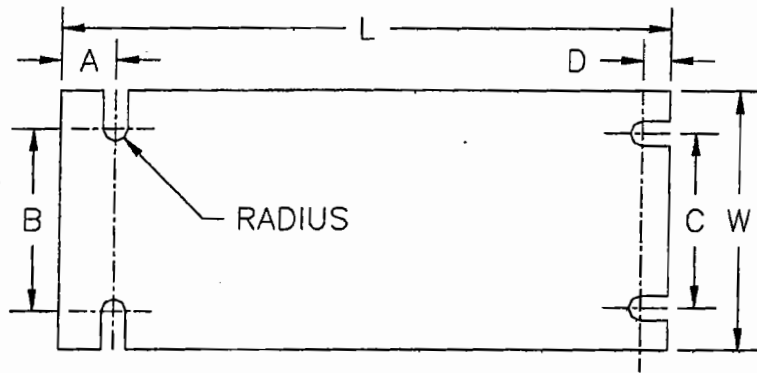
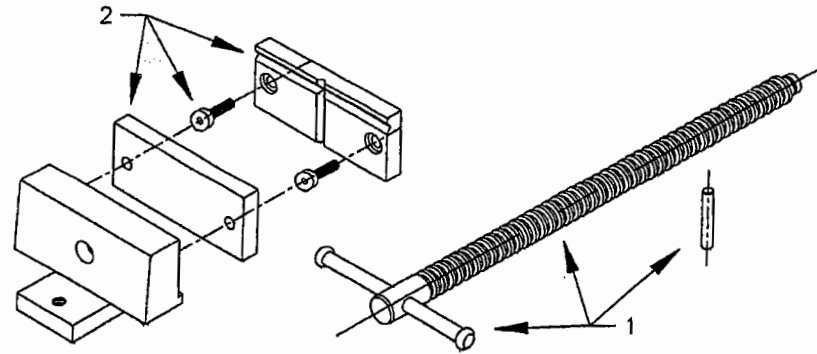


DRILL PRESS VISES

Rapid Acting Nut Replacement Parts

1999 and later Models



MODEL NUMBER	A	B	C	D	L LENGTH	W WIDTH	RADIUS
1435	1"	2-7/8	---	---	9-1/2	3-1/2	7/32 R., 2 PLACES
1445	1"	3-3/8	3-1/8	9/32	10-1/2	4-1/2	7/32 R., 4 PLACES
1460	1-1/8	4-3/16	4-1/8	11/16	13-1/2	6	9/32 R., 4 PLACES



WILTON MODEL NUMBER	BASIC VISE SIZE JAW WIDTH X JAW OPENING	ITEM #1 SPINDLE WITH PIN	ITEM #2 JAW INSERTS WITH SCREWS	ITEM #3 RAPID NUT ASSEMBLY	ITEM #4 GUIDE PLATE WITH SCREWS	ITEM #5 ADJUSTING SCREWS & NUTS
1435	3-1/2" X 3-3/4"	2900840	2900850	2900860	2900910	2900870
1445	4-1/2" X 4-5/8"	2900880	2900890	2900900	2900910	2900870
1460	6" X 6-1/2"	2900920	2900930	2900940	2900910	2900870

* Model 1435 replaced model 1135
 ** Model 1445 replaced model 1145
 *** Model 1460 replaced model 1160