



Operating Instructions and Parts Manual

6-inch Bench Top Jointer

Model JJ-6HHBT



JET
427 New Sanford Road
LaVergne, Tennessee 37086
Ph.: 800-274-6848
www.jettools.com

Part No. M-718600
Edition 1 06/2020
Copyright © 2020 JET

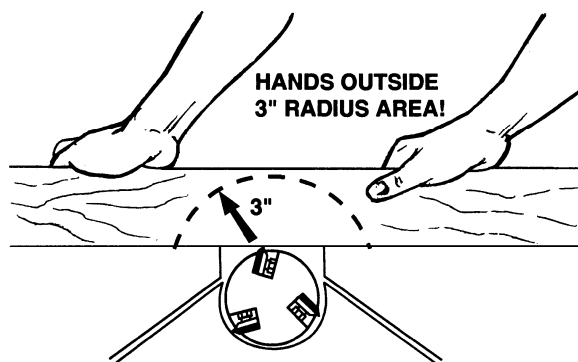


1.0 IMPORTANT SAFETY INSTRUCTIONS

Warning – To reduce risk of injury:

1. Read and understand the entire owner's manual before attempting assembly or operation.
2. Read and understand the warnings posted on the machine and in this manual. Failure to comply with all of these warnings may cause serious injury.
3. Replace the warning labels if they become obscured or removed.
4. This jointer is designed and intended for use by properly trained and experienced personnel only. If you are not familiar with the proper and safe operation of a jointer, do not use until proper training and knowledge have been obtained.
5. Do not use this jointer for other than its intended use. If used for other purposes, JET disclaims any real or implied warranty and holds itself harmless from any injury that may result from that use.
6. Always wear approved safety glasses/face shields while using this jointer. Everyday eyeglasses only have impact resistant lenses; they are not safety glasses.
7. Before operating this jointer, remove tie, rings, watches and other jewelry, and roll sleeves up past the elbows. Remove all loose clothing and confine long hair. Non-slip footwear or anti-skid floor strips are recommended. Do **not** wear gloves.
8. Wear ear protectors (plugs or muffs) during extended periods of operation.
9. Do not operate this machine while tired or under the influence of drugs, alcohol or any medication.
10. Make certain the switch is in the **OFF** position before connecting the machine to the power supply.
11. Make certain the machine is properly grounded.
12. Make all machine adjustments or maintenance with the machine unplugged from the power source.
13. Remove adjusting keys and wrenches. Form a habit of checking to see that keys and adjusting wrenches are removed from the machine before turning it on.
14. Keep safety guards in place at all times when the machine is in use. If removed for maintenance purposes, use extreme caution and replace the guards immediately.
15. Make sure the jointer is firmly secured to the stand or a bench before use.
16. Check damaged parts. Before further use of the machine, a guard or other part that is damaged should be carefully checked to determine that it will operate properly and perform its intended function. Check for alignment of moving parts, binding of moving parts, breakage of parts, mounting and any other conditions that may affect its operation. A guard or other part that is damaged should be properly repaired or replaced.
17. Provide for adequate space surrounding work area and non-glare, overhead lighting.
18. Keep the floor around the machine clean and free of scrap material, oil and grease.
19. Keep visitors a safe distance from the work area. **Keep children away.**
20. Make your workshop child proof with padlocks, master switches or by removing starter keys.
21. Give your work undivided attention. Looking around, carrying on a conversation and "horse-play" are careless acts that can result in serious injury.
22. Maintain a balanced stance at all times so that you do not fall or lean against the knives or other moving parts. Do not overreach or use excessive force to perform any machine operation.

23. Use the right tool at the correct speed and feed rate. Do not force a tool or attachment to do a job for which it was not designed. The right tool will do the job better and safer.
24. Use recommended accessories; improper accessories may be hazardous.
25. Maintain tools with care. Keep knives sharp and clean for the best and safest performance. Follow instructions for lubricating and changing accessories.
26. Turn off the machine and disconnect from power before cleaning. Use a brush or compressed air to remove chips or debris — do not use bare hands.
27. Do not stand on the machine. Serious injury could occur if the machine tips over.
28. Never leave the machine running unattended. Turn the power off and do not leave the machine until it comes to a complete stop.
29. Before turning on machine, remove all extra equipment such as keys, wrenches, scrap, stock, and cleaning rags away from the machine.
30. Always use a hold-down or push block when surfacing stock less than 12" inches long, or 3 inches wide, or 3 inches thick.
31. Do not perform jointing operations on material shorter than 8", narrower than 3/4" or less than 1/4" thick.
32. The hands must never be closer than 3 inches to the cutterhead (see Figure).
33. Never apply pressure to stock directly over the cutterhead. This may result in the stock tipping into the cutterhead along with the operator's fingers. Position hands away from extreme ends of stock, and push through with a smooth, even motion. Never back workpiece toward the infeed table.
34. To avoid kickback, the grain must run in the same direction you are cutting. Before attempting to joint or plane, each work piece must be carefully examined for stock condition and grain orientation.
35. When working with a swirl grain wood or burls, making it necessary to plane against the grain, use a lesser depth of cut and a slow rate of feed.
36. Move the hands in an alternate motion from back to front as the work continues through the cut. Never pass the hands directly over the cutter knife. As one hand approaches the knives remove it from the stock in an arc motion and place it back on the stock in a position beyond the cutter knife.
37. At all times hold the stock firmly.



⚠ WARNING: This product can expose you to chemicals including lead and cadmium which are known to the State of California to cause cancer and birth defects or other reproductive harm. For more information go to <http://www.p65warnings.ca.gov>.

⚠ WARNING: Drilling, sawing, sanding or machining wood products generates wood dust and other substances known to the State of California to cause cancer. Avoid inhaling dust generated from wood products or use a dust mask or other safeguards for personal protection.

Wood products emit chemicals known to the State of California to cause birth defects or other reproductive harm. For more information go to <http://www.p65warnings.ca.gov/wood>.

- - SAVE THESE INSTRUCTIONS - -

Familiarize yourself with the following safety notices used in this manual:

⚠CAUTION This means that if precautions are not heeded, it may result in minor injury and/or possible machine damage.

⚠WARNING This means that if precautions are not heeded, it may result in serious injury or possibly even death.

2.0 About this manual

This manual is provided by JET covering the safe operation and maintenance procedures for the JET Model JJ-6HHBT Jointer. This manual contains instructions on installation, safety precautions, general operating procedures, maintenance instructions and parts breakdown. This machine has been designed and constructed to provide consistent, long-term operation if used in accordance with instructions set forth in this manual. If there are any questions or comments, please contact either your local supplier or JET. JET can also be reached at our web site: www.jettools.com.

Retain this manual for future reference. If the machine transfers ownership, the manual should accompany it.

⚠WARNING **Read and understand the entire contents of this manual before attempting assembly or operation. Failure to comply may cause serious injury.**

Record your purchase information here for quick reference:

Stock no.:
Model no.:
Date of purchase:
Place of purchase:

3.0 Table of Contents

- 1.0 IMPORTANT SAFETY INSTRUCTIONS..... 2
- 2.0 About this manual 4
- 3.0 Table of Contents..... 5
- 4.0 Features..... 6
- 5.0 Specifications..... 6
- 6.0 Shipping contents..... 7
- 7.0 Unpacking..... 7
- 8.0 Assembly..... 8
 - 8.1 Attach support to planer 8
 - 8.2 Install dust chute and filter bag..... 8
 - 8.3 Install fence and bracket to planer 8
 - 8.4 Mounting brackets 9
- 9.0 Operating controls..... 9
- 10.0 Adjustments 10
 - 10.1 Table positioning/depth of cut 10
 - 10.2 Fence positioning 10
 - 10.3 Replacing/rotating knife inserts 11
- 11.0 Basic Operation..... 11
 - 11.1 Operating precautions 11
 - 11.2 Correct operating position 11
 - 11.3 Hand placement 12
 - 11.4 Surfacing 12
 - 11.5 Direction of grain 12
 - 11.6 Edge jointing..... 13
 - 11.7 Beveling..... 13
- 12.0 User-maintenance..... 14
 - 12.1 Cutterhead care 14
 - 12.2 Lubrication 14
 - 12.3 Belt replacement (drive/fan) 14
- 13.0 Replacement Parts..... 15
 - 13.1 JJ-6HHBT Jointer – Exploded View 16
 - 13.2 JJ-6HHBT Jointer – Parts List..... 17
- 14.0 Electrical Connection 20
- 15.0 Warranty and Service..... 21

4.0 Features

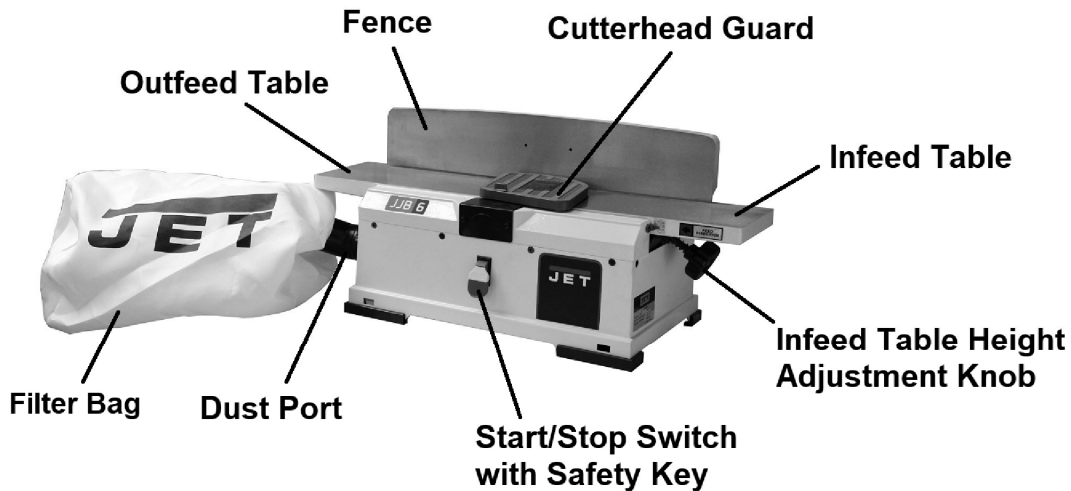


Figure 4-1

5.0 Specifications

Table 1

Model number	JJ-6HHBT
Stock number	718600
Motor	Brushed DC, 115V, 60Hz, 15A
On/off switch	toggle switch with safety key
Recommended circuit size ¹	15A
Sound emission ²	92 dB
Cutterhead speed	10,000 RPM
Cutterhead diameter	2 in. (50.8 mm)
Number of knives	14 inserts in 2 spiral rows
Cutter knife size (LxWxT)	0.59 x 0.59 x 0.10 in., R6/37° (HM15x15x2,5 mm R150/ 37°)
Dust port diameter	2-3/8 in. (fits 2-1/2 in. dust hose)
Jointer table	28-5/8 x 6-1/4 in. (727 x 159 mm)
Maximum stock removal	1/8 in. (3.175 mm)
Maximum cutting width	6 in. (152.4 mm)
Fence	22-3/4 x 4-3/8 in. (578 x 111 mm)
Fence tilt	45° L, 90°, 45° R
Fence positive stop	45° L, 90°, 45°R
Overall dimensions (LxWxH)	30 x 20 x 13 in. (762 x 508 x 330 mm)
Net weight	71 lbs. (32 kg)
Shipping weight	76 lbs. (34 kg)

¹ subject to local/national electrical codes

² The specified values are emission levels and are not necessarily to be seen as safe operating levels. As workplace conditions vary, this information is intended to allow the user to make a better estimation of the hazards and risks involved only.

L = length, W = width, H = height, T = thickness

The specifications in this manual were current at time of publication, but because of our policy of continuous improvement, Powermatic reserves the right to change specifications at any time and without prior notice, without incurring obligations.

6.0 Shipping contents

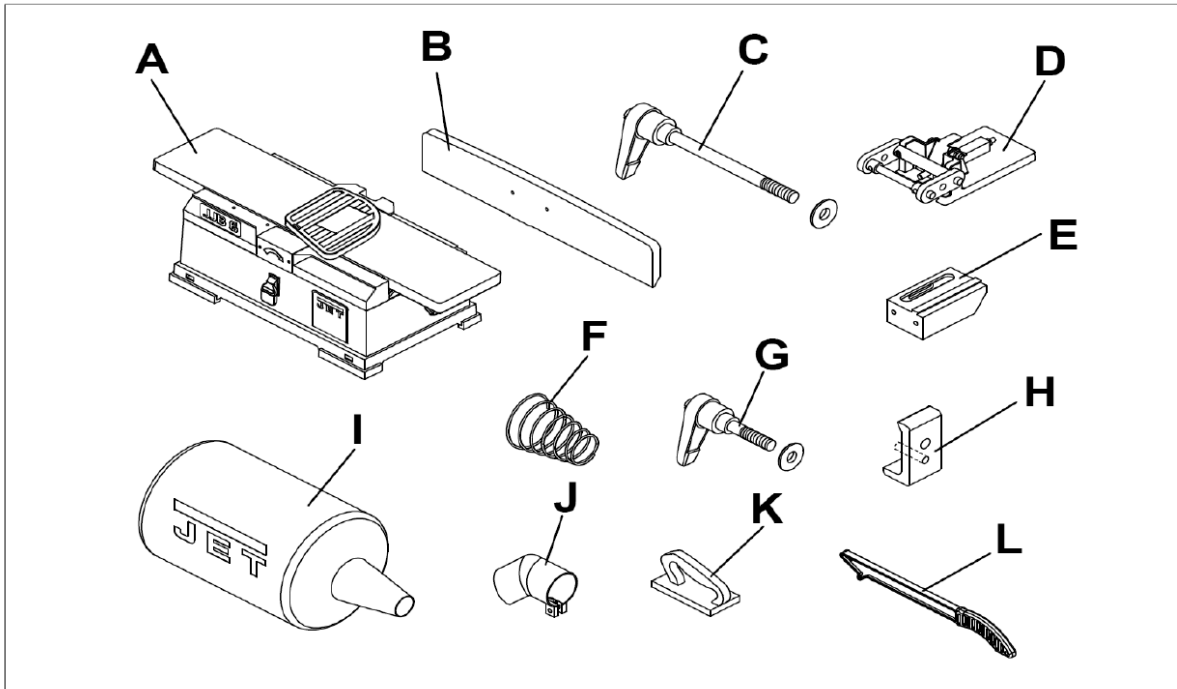


Figure 6-1 – Contents of main carton

7.0 Unpacking

Remove all contents from the shipping carton. Do not discard the carton or packing material until your *Model JJ-6HHBT Jointer* is assembled and is running satisfactorily.

Compare the contents of the carton against the list of parts shown on these pages. The *letter identification* in the list corresponds to the items shown in the Figures. This is your key for identifying the parts used throughout the *Assembly* section for easy reference.

Remove the protective coating that is applied to the table with a household grease-and-spot remover.

Carton Contents

- A..... Planer with blade guard
- B..... Angle Fence
- C..... Fence tilting handle with spacer
- D..... Fence bracket assembly
- E..... Fence support
- F..... Spring
- G..... Fence sliding handle with spacer
- H..... Locking plate assembly
- I..... Filter bag

- J.....Dust chute
- K.....Push block
- L.....Push stick
-(2) Star point screwdrivers (not shown)
-Operator's manual
-Product registration card

Hardware bag includes:

- 2 Socket head bolts M6x20 (*mount to fence*)
- 2 Socket head bolts M6x16
- 2 Flat Washer 6mm
- 2 Lock Washer 6mm (*mount to planer base*)
- 3, 4, and 5mm Hex wrenches
- 4 Mounting brackets

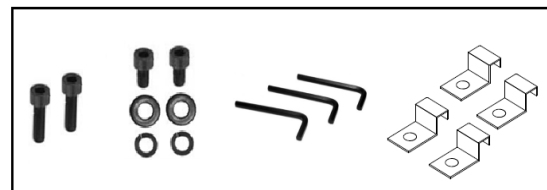


Figure 7-1

8.0 Assembly

For assembly convenience, the item *letter designators* used throughout the *Assembly* section are the same as those used to identify *shipping content* and *hardware*.

8.1 Attach support to planer

Attach fence support (E, Figure 8-1) to planer with two M6x16 socket head bolts, flat washers and lock washers.

Insert locking plate assembly (H) into support. Position plate so that pins are against bottom edge of support.

Secure plate in position with fence sliding handle and spacer (G, Figure 8-1).

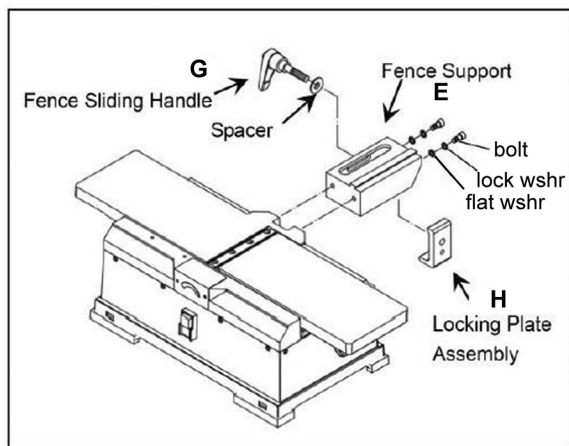


Figure 8-1

8.2 Install dust chute and filter bag

Slide the dust chute onto the end of the chip exhaust. Tighten the pan head screw. See Figure 8-2.

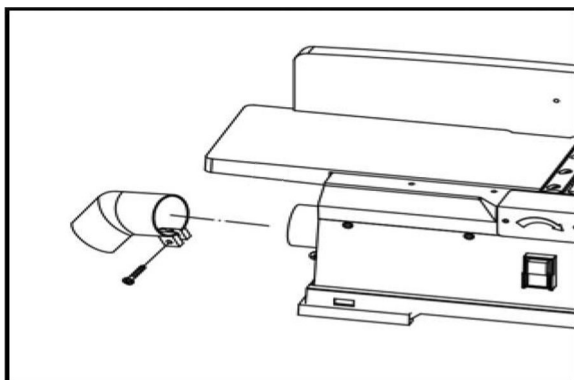


Figure 8-2

Open the zipper on the bottom of the bag, place the spring inside of the filter bag arm.

Slide the arm with the spring over the dust exhaust port.

Close the zipper. See Figure 8-3.

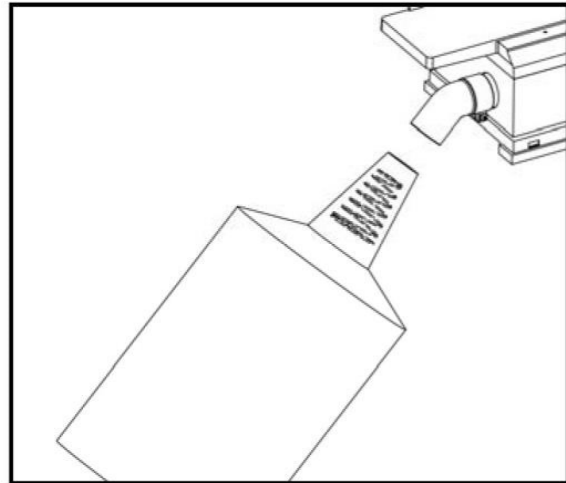


Figure 8-3

8.3 Install fence and bracket to planer

Attach fence (B, Figure 8-4) to fence bracket assembly (D) with two M6x20 socket head bolts.

Slide fence and bracket over and onto dovetails of support (E) and locking plate (H, Figure 8-1)

Continue to slide fence forward so that the fence is over the planer tables. At this position the edge of the blade guard will rest against the fence, and the entire width of the cutter head is covered. Secure bracket in position with fence sliding handle (G, Figure 8-1).

Insert fence tilting handle with spacer (C, Figure 8-4) through right link and thread into left link.

See Figure 8-5:

Make sure limit plate (A, Figure 8-5) is resting in slot of block (B). Position fence against shaft (D) and lock fence in position with fence tilting handle.

Place a combination square against face of fence and table surface. The fence and table must be at 90° to each other. If not, loosen tilting handle (C, Figure 8-4), loosen hex nut (C, Figure 8-5) and turn shaft (D, Figure 8-5) with a screw driver until fence is square. Secure in position by tightening hex nut (C, Figure 8-5).

Use a bevel gauge or protractor to check 45° inward and outward limit stops. The 45° inward stop (E, Figure 8-5) is the hex head bolt located beneath the shaft. The 45° outward stop is located at the top of the fence.

If adjustment is needed, loosen hex nut, turn hex head bolt to proper position and secure in place with hex nut.

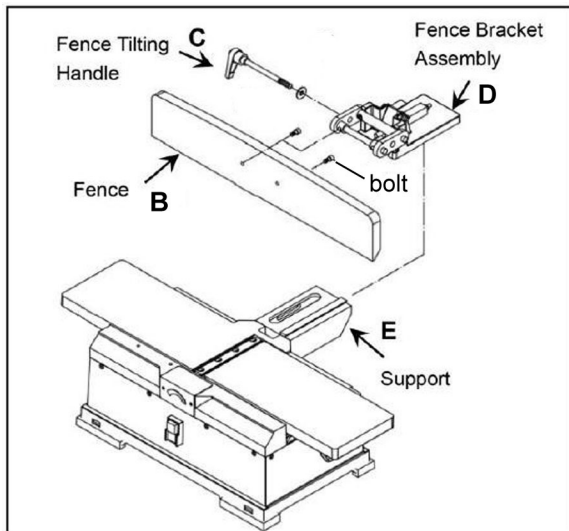


Figure 8-4

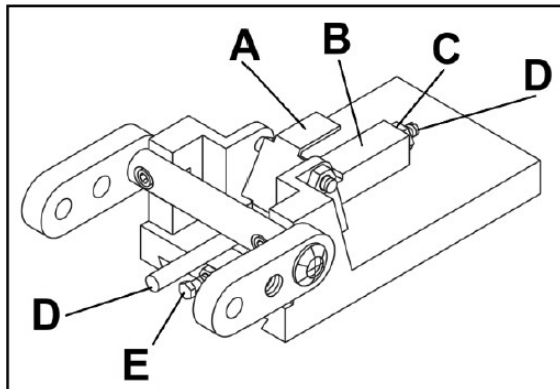


Figure 8-5

8.4 Mounting brackets

The jointer weighs approximately 72 lbs. when completely assembled. The jointer must be installed in a place with ample lighting and correct power supply.

Make sure there is plenty of room for moving the workpiece through the entire cut. There must be enough room that neither operator nor bystanders will have to stand in line with the wood while using the tool.

Jointer can be installed on a workbench using the provided mounting brackets (A, Figure 8-6). Secure with bolts, lock washers and hex nuts (not supplied).

The jointer must be bolted to a firm, level surface. Make sure the jointer does not rock and the tables are level.

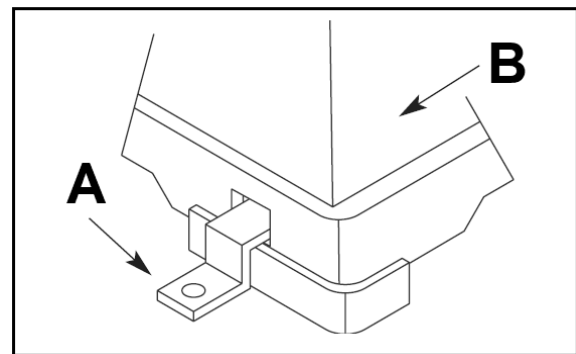


Figure 8-6

9.0 Operating controls

⚠WARNING Disconnect machine from power source before making any adjustments. Failure to comply may cause serious injury.

Refer to Figure 9-1.

The operating positions of the On-Off switch are located on the front of your jointer.

Push the switch up to turn jointer on and push down to turn the unit off.

The switch has a removable key that allows the unit to be locked in the OFF position.

To activate locking mechanism:

Push the switch (A) to OFF position.

Pull switch key (B).

To deactivate locking mechanism:

Insert and press switch key in the slot on switch.

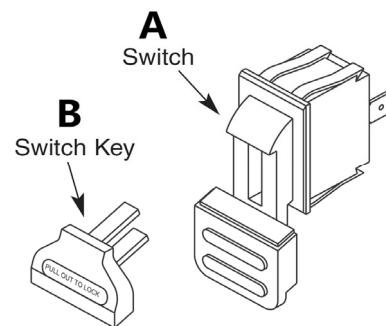


Figure 9-1

10.0 Adjustments

10.1 Table positioning/depth of cut

The outfeed table (the left hand one when facing the machine) is set to be level with the knives at the highest point in their revolution.

The infeed and outfeed tables are preset at the factory to be aligned with the cutterhead.

Rotate the knob beneath the infeed table (#2, Figure 10-1) to raise or lower the infeed table for desired depth of cut, according to the scale on the front of the table.

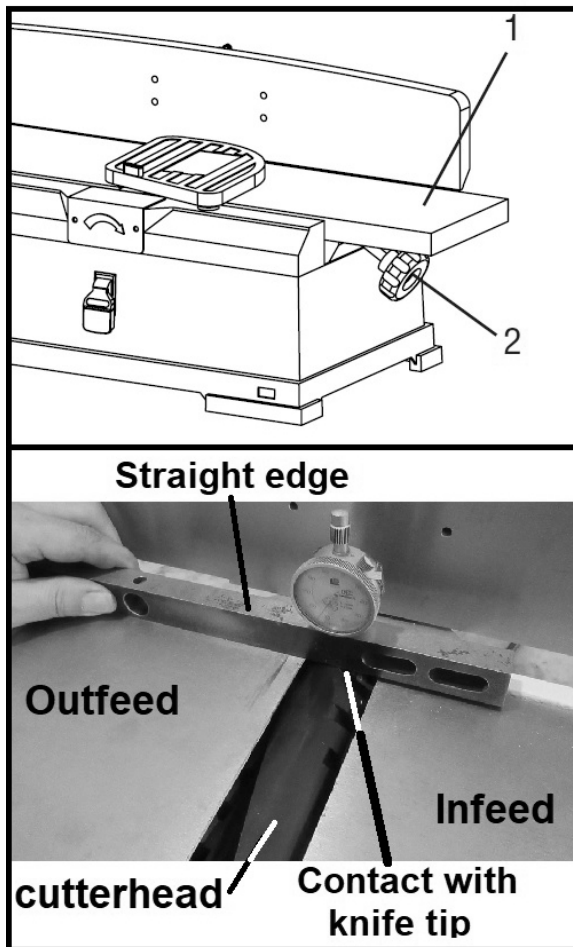


Figure 10-1

10.2 Fence positioning

10.2.1 Forward and back

1. Turn machine OFF.
2. Loosen the fence sliding handle (#1, Figure 10-2).

Note: The handles are spring-loaded: if you find it necessary to reposition a handle, pull

it outwards, turn the handle to the new position, and release it.

3. Slide the fence to the desired position. The fence can be positioned over the blade so that only the desired width of the blade is exposed. Make sure the exposed width matches that of the workpiece.
4. Tighten the fence sliding handle so that the fence is secure.

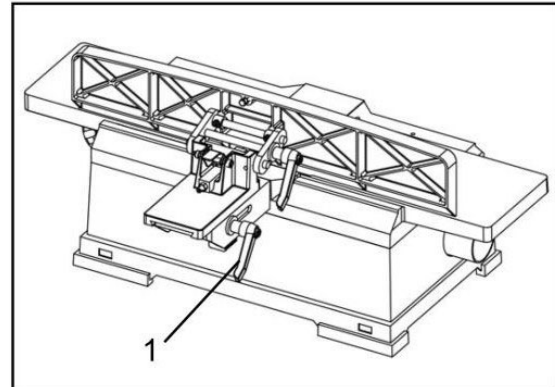


Figure 10-2

10.2.2 Bevel angles

The fence can be positioned to joint the wood at any angle from 45° inward to 45° outward.

When “beveling” – cutting the entire edge of a work piece to an angle – several passes may be required due to the depth of cut needed.

“Chamfering” refers to removing only the corner of the edge of the workpiece. Normally a chamfer is made in one pass, so a 1/8 in. (3mm) depth of cut is made.

1. Turn machine OFF.
2. Turn the fence tilt handle counterclockwise to loosen it.
3. Manually tilt the fence to desired angle inward or outward. If you have set up the machine as described in *sect. 8.0*, the fence will hit the stops inward or outward at 45° and measurement should not be necessary (Figure 10-2). However, it is advisable to confirm the settings with a machinist square, or similar angle gauge before commencing

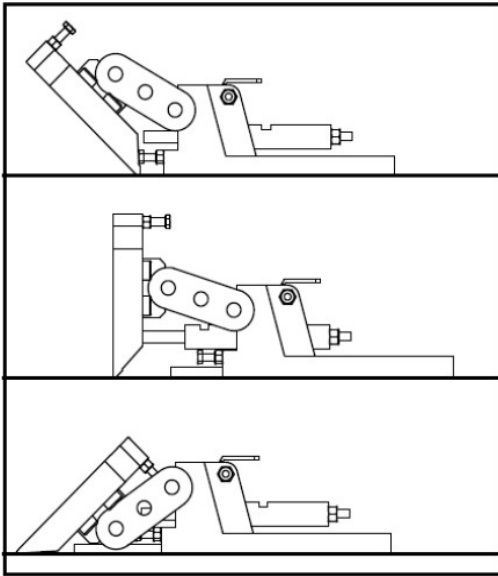


Figure 10-3

10.3 Replacing/rotating knife inserts

⚠WARNING Knife inserts are extremely sharp. Use caution when cleaning or changing. Failure to comply may cause serious injury.

Disconnect jointer from power source/unplug.

The knife inserts on the model JJ-6HHBT are four-sided. When dull, simply remove each insert, rotate it 90° for a fresh edge, and re-install it.

Use the provided star point screwdriver to remove the knife insert screw. See Figure 10-4. It is advisable to rotate all inserts at the same time to maintain consistent cutting. However, if one or more knife inserts develops a nick, rotate only those inserts affected.

Each knife insert has etched numerals to keep track of the rotations.

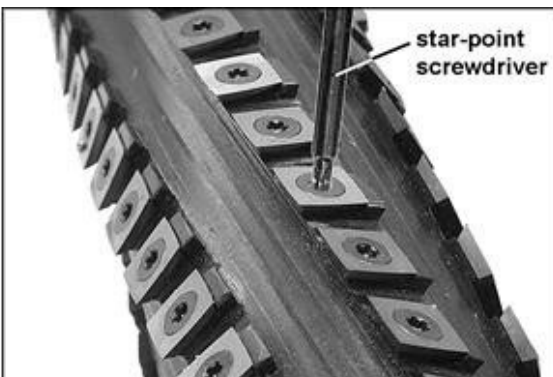


Figure 10-4

IMPORTANT: When removing or rotating inserts, clean saw dust from the screw, the insert, and the cutterhead platform. Dust accumulation between these elements can prevent the insert from seating properly, and may affect the quality of the cut.

Before installing each screw, lightly coat the screw threads with machine oil and wipe off any excess.

Securely tighten each screw which holds the knife inserts before operating the planer. Knife inserts should be torqued to approximately 50 to 55 inch-pounds.

⚠WARNING Make sure all knife insert screws are tightened securely. Loose inserts can be propelled at high speed from a rotating cutterhead, causing injury.

11.0 Basic Operation

Note: The Figures are general in nature and may not show your particular jointer model.

11.1 Operating precautions

- Always use sharp cutter knives.
- The jointer fence must securely be locked before machine use.
- Check workpiece for foreign objects (nails, screws) and for loose knots.
- Feed with thicker workpiece end at the front, hollow side downward.
- Plane the stock with the grain, if possible.
- Support long workpieces with roller stands or an assistant.
- Use push block(s) or push stick if possible to keep hands away from cutting area.

11.2 Correct operating position

The operator must be positioned offset to the infeed table, as shown in Figure 11-1.



Figure 11-1

11.3 Hand placement

⚠ WARNING Never pass hands directly over the cutterhead.

At the start of the cut, the left hand holds the workpiece firmly against the infeed table and fence while the right hand pushes the workpiece in a smooth, even motion toward the cutterhead. After the cut is under way, the new surface rests firmly on the outfeed table. The left hand is transferred to the outfeed side and presses down on this part of the workpiece, at the same time maintaining flat contact of workpiece with fence. The right hand presses the workpiece forward, and before the right hand reaches the cutterhead it should be moved to the work on the outfeed table.

It is strongly recommended that the provided push block and push stick be used whenever possible. See Figure 11-2. These are mandatory when jointing smaller stock.



Figure 11-2

11.4 Surfacing

The purpose of surfacing (see Figure 11-2) on a jointer is to produce one flat surface. The other side can then be milled to precise, final dimensions on a thickness planer resulting in a board that is smooth and flat on both sides and each side parallel to the other.

- ❑ If the wood to be jointed is cupped or bowed, place the concave side down, and take light cuts until the surface is flat.
- ❑ Never surface pieces shorter than 12 inches or thinner than 3/8 inch without the use of a special work holding fixture.
- ❑ Never surface pieces thinner than 3 inches without the use of a push block.
- ❑ Cuts of approximately 1/16" or less at a time are recommended, which provides for better control over the material being surfaced. More passes can then be made to reach the desired depth.

11.5 Direction of grain

Avoid feeding work into the jointer against the grain (Figure 11-3). This may result in chipped and splintered edges.

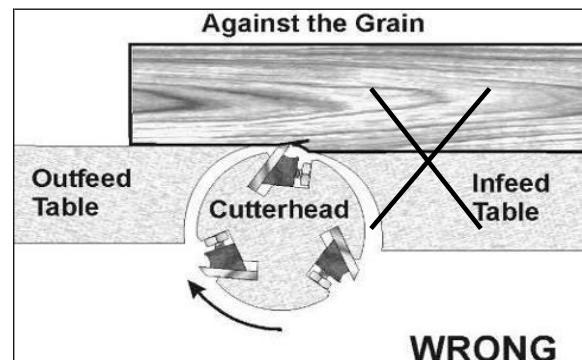


Figure 11-3

Feed *with* the grain to obtain a smooth surface, as shown in Figure 11-4.

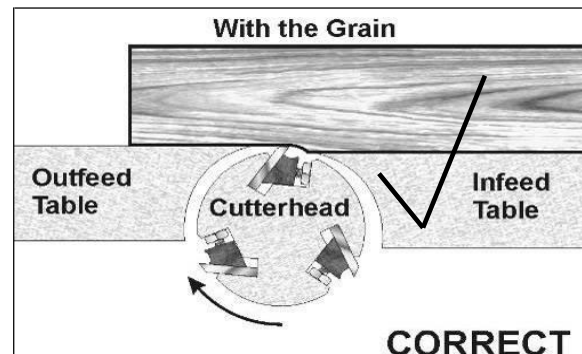


Figure 11-4

11.6 Edge jointing

Jointing (or edging) is the process of creating a finished, flat *edge surface* that is suitable for joinery or finishing (Figure 11-5). It is also a necessary step prior to ripping stock to width on a table saw.

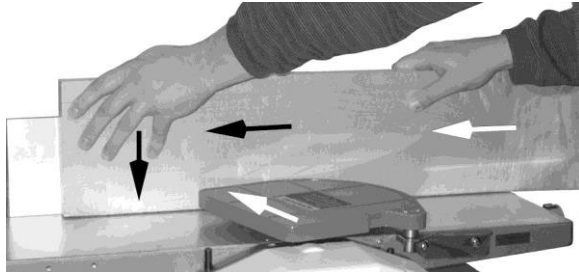


Figure 11-5

Never edge a board that is less than 3 inches wide, less than 1/4 inch thick, or 12 inches long, without using a push block.

When edging wood wider than 3 inches lap the fingers over the top of the wood, extending them back over the fence such that they will act as a stop for the hands in the event of a kickback.

CAUTION When workpiece is twice the length of the jointer infeed or outfeed table use an infeed or outfeed support.

To edge a board:

1. Make sure the fence is set to 90°. Double check it with a square.
2. Inspect stock for soundness and grain direction. If the board is bowed (curved), place the *concave edge down* on the infeed table.
3. Set infeed table for a cut of approximately 1/16 inch.
4. Hold the stock firmly against the fence and table, feed the stock slowly and evenly over the cutterhead, as shown in Figure 11-5.

11.7 Beveling

Beveling an edge is the same operation as edge jointing, except that the fence is tilted to a specified angle.

Make certain material being beveled is over 12 inches long, more than 1/4 inch thick and 1 inch wide.

To bevel:

1. Use a bevel gauge to determine the desired angle. Then set the fence to the same angle.

2. Inspect stock for soundness and grain direction.
3. Set the infeed table for a cut of approximately 1/16.
4. If the board is bowed (curved), place the concave edge down on the infeed table.
5. Feed the stock through the cutterhead, making sure the face of the stock is completely flat against the fence and the edge is making solid contact on the infeed and outfeed tables (Figure 11-6).

For wood wider than 3 inches – hold with fingers close together near the top of the stock, lapping over the board and extending over the fence.

For wood less than 3 inches wide – use beveled push blocks and apply pressure toward the fence. Keep fingers near top of push block.

6. Several passes may be required to achieve full bevel.

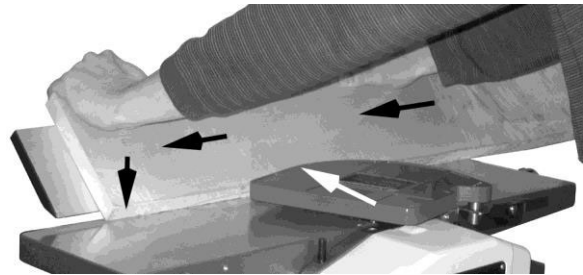


Figure 11-6

12.0 User-maintenance

12.1 Cutterhead care

⚠WARNING Blades are extremely sharp!
Use caution when cleaning or changing.
Failure to comply may cause serious injury!

The condition of the knife inserts will affect the precision of the cut. Observe the quality of the cut that the machine produces to check the condition of the knives. Dull knives will tear, rather than cut the wood fibers and produce a fuzzy appearance.

When gum and pitch collect on the knife inserts, carefully remove with a strong solvent. Failure to remove gum and pitch build up may result in excessive friction, blade wear and overheating.

When knife inserts become dull, rotate them. After three rotations, replace them.

12.2 Lubrication

The cutterhead ball bearings are lifetime lubricated and need no further care.

12.3 Belt replacement (drive/fan)

1. Disconnect jointer from power source; unplug.
2. Lay the jointer on its side so that the switch is facing upward. See Figure 12-1.

3. Remove the two screws that hold the belt cover in place and remove cover situated at the end of the cutter head.
4. Remove the four screws that hold the bottom cover on and remove cover.
5. Remove the fan belt (B, Figure 12-1) from the cutter head pulley first, then the drive belt. Pull the belt towards you and turn the belt at the same time until it rolls off the pulleys.
6. Install new drive belt, then fan belt, by rolling them onto the pulleys while turning the belts. Make sure belts seat fully in grooves of both pulleys.
7. Reinstall covers.

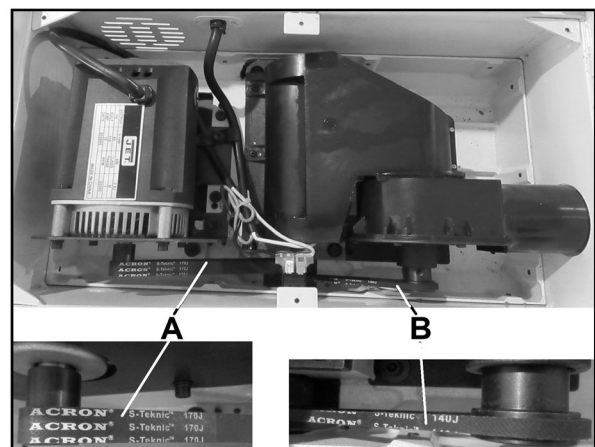


Figure 12-1

Troubleshooting

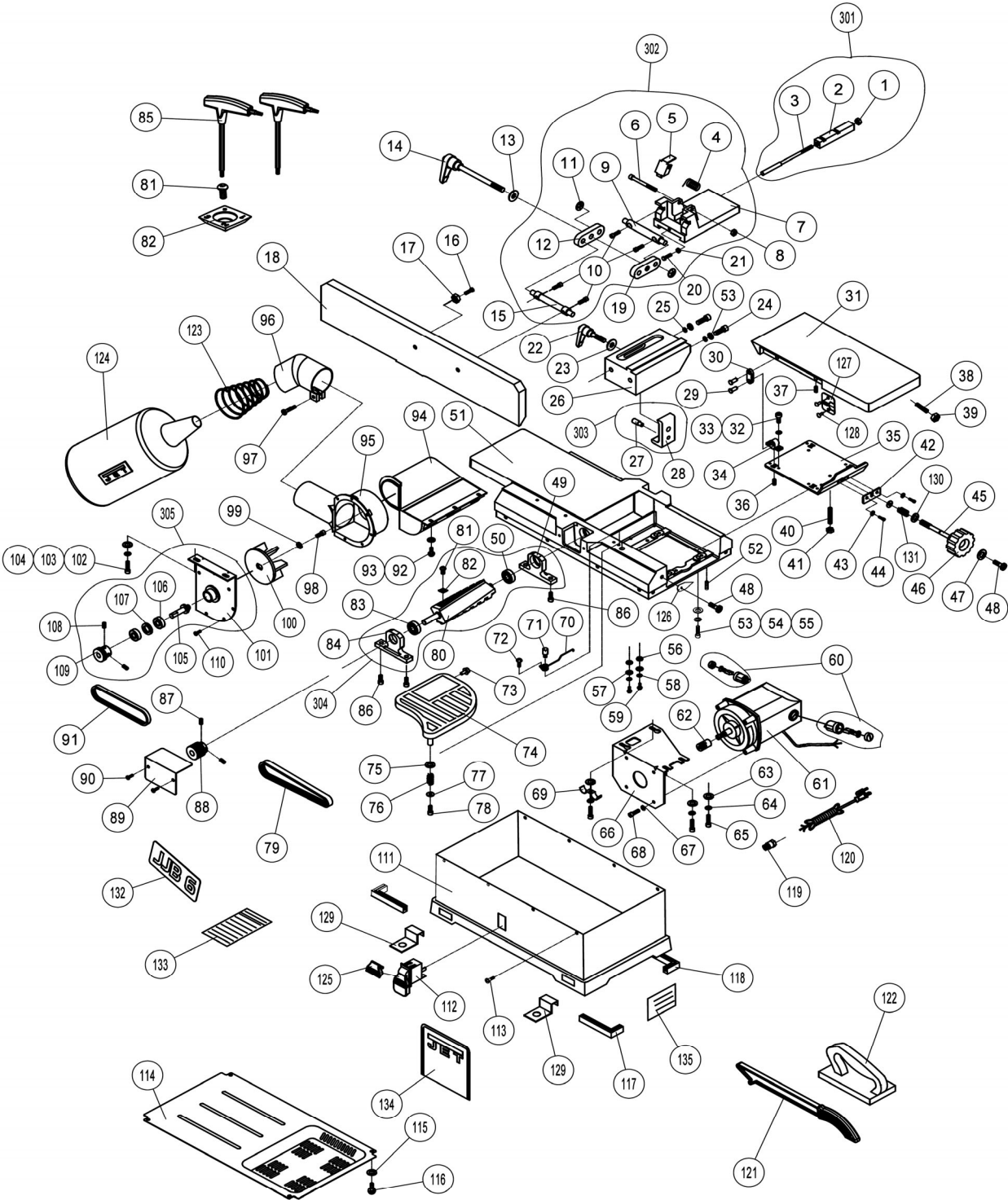
Trouble	Probable Cause	Remedy
Motor does not start.	Low line voltage	Correct low line voltage
	Defective switch	Have switch replaced
	Motor failure.	Have motor repaired or replaced
Motor starts slowly or fails to come to full speed.	Defective motor windings.	Have motor repaired or replaced.
	Clogged with wood chips	Take shallow depth of cut and attach a shop-vac to exhaust port. Inspect chip blower assembly and fan belt
Motor running too hot	Motor overloaded	Reduce load on motor
	Restricted air circulation due to dust accumulation	Clean dust and restore normal air circulation
Snipe (gouging at end of boards)	Dull knife inserts	Rotate or replace inserts.
	Inadequate support of long boards	Support long boards with roller stand or an assistant.
	Uneven feed	Feed workpiece evenly and smoothly.

13.0 Replacement Parts

Replacement parts are listed on the following pages. To order parts or reach our service department, call 1-800-274-6848 Monday through Friday, 8:00 a.m. to 5:00 p.m. CST. Having the Model Number and Serial Number of your machine available when you call will allow us to serve you quickly and accurately.

Non-proprietary parts, such as fasteners, can be found at local hardware stores, or may be ordered from Powermatic. Some parts are shown for reference only, and may not be available individually.

13.1 JJ-6HHBT Jointer – Exploded View



13.2 JJ-6HHBT Jointer – Parts List

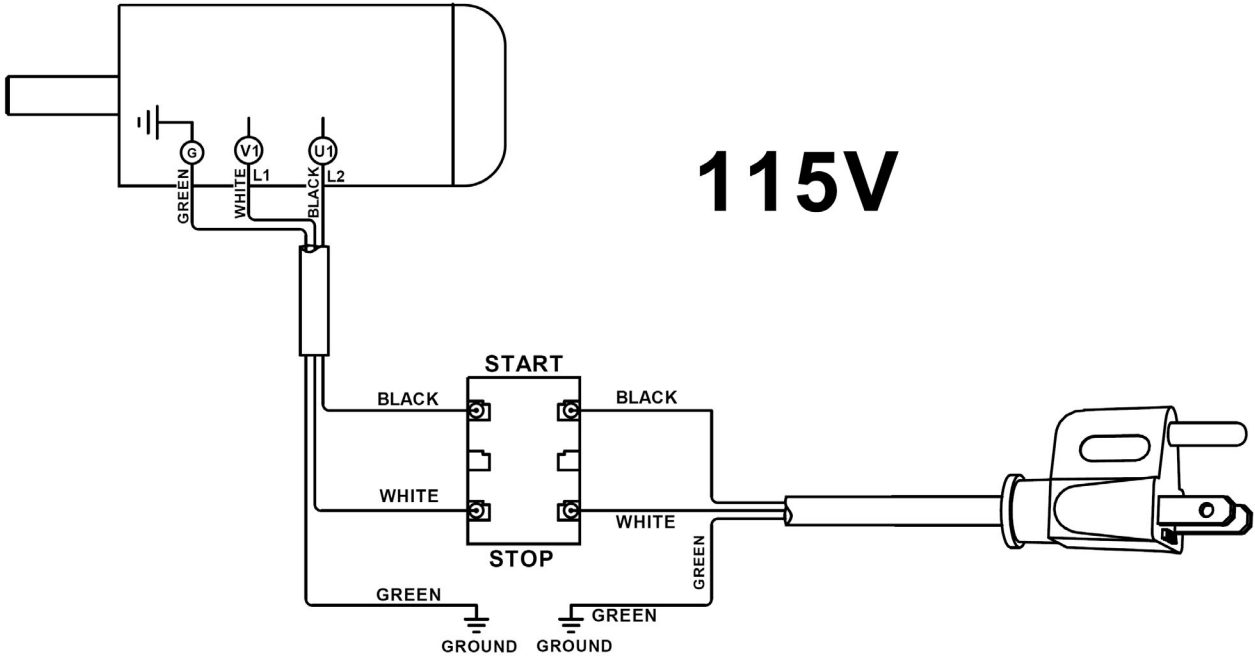
Index No.	Part No.	Description	Size	Qty
1	TS-2311061	Hex Nut	M6	1
2	JJ6HHBT-002	Block		1
3	JJ6HHBT-003	Shaft		1
4	JJ6HHBT-004	Spring		1
5	JJ6HHBT-005	Limit Plate		1
6	TS-1503111	Socket Head Cap Screw	M6x50	1
7	JJ6HHBT-007	Fence Bracket		1
8	TS-2311061	Hex Nut	M6	1
9	JJ6HHBT-009	Bracket Shaft		1
10	TS-1503051	Socket Head Cap Screw	M6x20	4
11	JJ6HHBT-011	Push Nut		2
12	JJ6HHBT-012	Right Link		1
13	JJ6HHBT-013	Spacer		1
14	JJ6HHBT-014	Fence Tilting Handle		1
15	JJ6HHBT-015	Plate Shaft		1
16	TS-1481061	Hex Cap Screw	M5x25	1
17	TS-2331051	Cap Nut	M5	1
18	JJ6HHBT-018	Fence		1
19	JJ6HHBT-019	Left Link		1
20	TS-1481061	Hex Cap Screw	M5x25	1
21	TS-2331051	Cap Nut	M5	1
22	JJ6HHBT-022	Fence Sliding Handle		1
23	JJ6HHBT-023	Spacer		1
24	TS-1503041	Socket Head Cap Screw	M6x16	2
25	TS-2361061	Lock Washer	6	2
26	JJ6HHBT-026	Fence Support		1
27	JJ6HHBT-027	Pin		1
28	JJ6HHBT-028	Locking Plate		1
29	JJ6HHBT-029	Pin		8
30	JJ6HHBT-030	Bracket		4
31	JJ6HHBT-031	Infeed Table		1
32	TS-1502021	Socket Head Cap Screw	M5x10	8
33	TS-2361051	Lock Washer	5mm	8
34	JJ6HHBT-034	Connection Bracket		4
35	JJ6HHBT-035	Table Support Plate		1
36	TS-1522011	Socket Set Screw	M5x6	4
37	TS-2276081	Socket Set Screw	M6x8	4
38	TS-1523071	Socket Set Screw	M6x25	1
39	TS-2311061	Hex Nut	M6	1
40	TS-1523081	Socket Set Screw	M6x35	1
41	TS-2311061	Hex Nut	M6	1
42	JJ6HHBT-042	Support Plate		1
43	JJ6HHBT-043	Lock Washer	5mm	2
44	TS-1502021	Socket Head Cap Screw	M5x10	2
45	JJ6HHBT-045	Elevation Screw		1
46	JJ6HHBT-046	Handwheel		1
47	JJ6HHBT-047	Flat Washer	5mm	1
48	TS-1533032	Pan Head Machine Phillips Screw	M5x10	2
49	JJ6HHBT-049	Bearing Housing		1
50	BB-6201ZZ	Ball Bearing	6201-2Z	1
51	JJ6HHBT-051	Body With Outfeed Table		1
52	TS-1523051	Socket Set Screw	M6x16	4
53	TS-1550041	Flat Washer	6mm	6

Index No.	Part No.	Description	Size	Qty
54	TS-2361061	Lock Washer	6mm	4
55	TS-1503071	Socket Head Cap Screw	M6x30	4
56	JJ6HHBT-056	Serrated Washer	5mm	2
57	TS-1550031	Flat Washer	5mm	2
58	TS-2361051	Lock Washer	5mm	2
59	TS-1533032	Pan Head Machine Phillips Screw	M5x10	2
60	JJ6HHBT-060	Motor Brush		2
61	JJ6HHBT-061	Motor		1
62	JJ6HHBT-062	Motor Pulley		1
63	TS-1550041	Flat Washer	6mm	4
64	TS-2361061	Lock Washer	6mm	4
65	TS-1503031	Socket Head Cap Screw	M6x12	4
66	JJ6HHBT-066	Motor Support		1
67	TS-2361051	Lock Washer	5mm	4
68	TS-1503071	Socket Head Cap Screw	M5x10	4
69	JJ6HHBT-069	Cord Clamp		1
70	JJ6HHBT-070	Spring		1
71	JJ6HHBT-071	Pin		1
72	TS-1533032	Pan Head Machine Phillips Screw	M5x10	1
73	JJ6HHBT-073	Bumper		1
74	JJ6HHBT-074	Blade Guard		1
75	JJ6HHBT-075	Bushing		1
76	JJ6HHBT-076	Spring		1
77	TS-1550031	Flat Washer	5mm	1
78	TS-1503071	Socket Head Cap Screw	M5x10	1
79	JJ6HHBT-079	Drive Belt	5PJ170	1
80	JJ6HHBT-080	Cutterhead, Helical Body		1
81	JJ6HHBT-081	Knife Insert Screw		14
82	718601	Knife Inserts (sold in set of 5; includes #81 screws)		14
83	BB-6201ZZ	Ball Bearing	6201-ZZ	1
84	JJ6HHBT-084	Bearing Housing		1
85	JJ6HHBT-085	Star Point Screwdriver		2
86	TS-1504021	Socket Head Cap Screw	M8x12	4
87	TS-2276081	Socket Set Screw	M6x8	1
88	JJ6HHBT-088	Drive Pulley		1
89	JJ6HHBT-089	Cover		1
90	TS-1502011	Socket Head Cap Screw	M5x8	2
91	JJ6HHBT-091	Fan Belt	2PJ140	1
92	TS-1550031	Flat Washer	5mm	3
93	TS-1533032	Pan Head Machine Phillips Screw	M5x10	3
94	JJ6HHBT-094	Chip Collector		1
95	JJ6HHBT-095	Chip Exhaust		1
96	JJ6HHBT-096	Dust Chute		1
97	TS-2286252	Pan Head Machine Phillips Screw	M6x25	1
98	TS-1502021	Socket Head Cap Screw	M5x10	1
99	JJ6HHBT-099	Flat Washer	Ø15xØ5x2	1
100	JJ6HHBT-100	Fan		1
101	JJ6HHBT-101	Mounting Plate		1
102	TS-1550041	Flat Washer	M6	2
103	TS-2361061	Lock Washer	M6	2
104	TS-1503031	Socket Head Cap Screw	M6x12	2
105	JJ6HHBT-105	Fan Shaft		1
106	BB-6000ZZ	Ball Bearing	6000-ZZ	2
107	JJ6HHBT-107	Spacer		1
108	TS-1523031	Socket Set Screw	M6x10	1
109	JJ6HHBT-109	Fan Pulley		1

Index No.	Part No.	Description	Size	Qty
110	JJ6HHBT-110	Self-Tapping Screw	ST4.2x9.5	6
111	JJ6HHBT-111	Base		1
112	JJ6HHBT-112	Switch		1
113	TS-1513011	Socket Head Flat Screw	M5x10	13
114	JJ6HHBT-114	Cover		1
115	TS-1550021	Flat Washer	4mm	6
116	TS-1532032	Pan Head Machine Phillips Screw	M4x10	6
117	JJ6HHBT-117	Foot B		2
118	JJ6HHBT-118	Foot A		2
119	JJ6HHBT-119	Strain Relief		1
120	JJ6HHBT-120	Power Cord		1
121	JJ6HHBT-121	Push Stick		1
122	JJ6HHBT-122	Push Block		1
123	JJ6HHBT-123	Spring		1
124	JJ6HHBT-124	Filter Bag		1
125	JWBS10OS-25-1	Switch Safety Key		1
126	JJ6HHBT-126	Pointer		1
127	JJ6HHBT-127	Depth Scale		1
128	JJ6HHBT-128	Rivet		2
129	JJ6HHBT-129	Mounting Bracket (set of 4)		4
130	TS-1550071	Flat Washer	10mm	2
131	JJ6HHBT-131	Spring		1
132	JJ6HHBT-132	Model Label		1
133	JJ6HHBT-133	JET Warning Label		1
134	JJ6HHBT-134	JET Logo Label	4"x4"	1
135	JJ6HHBT-135	ID Label		1
	JJ6HHBT-136	Motor Label (not Shown)		1
301	JJ6HHBT-301	Block Assembly (#1 thru 3)		1
302	JJ6HHBT-302	Fence Bracket Assembly (#4 thru 12, #15, #19 thru 21)		1
303	JJ6HHBT-303	Locking Plate Assembly (#27, #28)		1
304	JJ6HHBT-304	Cutterhead Helical Assembly (#80 thru 85, #49, #50)		1
305	JJ6HHBT-305	Mounting Plate Assembly (#105 thru 110)		1

Note: Some parts may be listed for reference, but are only available as part of a larger assembly.

14.0 Electrical Connection



15.0 Warranty and Service

JET warrants every product it sells against manufacturers' defects. If one of our tools needs service or repair, please contact Technical Service by calling 1-800-274-6846, 8AM to 5PM CST, Monday through Friday.

Warranty Period

The general warranty lasts for the time period specified in the literature included with your product or on the official JET branded website.

- JET products carry a limited warranty which varies in duration based upon the product. (See chart below)
- Accessories carry a limited warranty of one year from the date of receipt.
- Consumable items are defined as expendable parts or accessories expected to become inoperable within a reasonable amount of use and are covered by a 90 day limited warranty against manufacturer's defects.

Who is Covered

This warranty covers only the initial purchaser of the product from the date of delivery.

What is Covered

This warranty covers any defects in workmanship or materials subject to the limitations stated below. This warranty does not cover failures due directly or indirectly to misuse, abuse, negligence or accidents, normal wear-and-tear, improper repair, alterations or lack of maintenance. JET woodworking machinery is designed to be used with Wood. Use of these machines in the processing of metal, plastics, or other materials outside recommended guidelines may void the warranty. The exceptions are acrylics and other natural items that are made specifically for wood turning.

Warranty Limitations

Woodworking products with a Five Year Warranty that are used for commercial or industrial purposes default to a Two Year Warranty. Please contact Technical Service at 1-800-274-6846 for further clarification.

How to Get Technical Support

Please contact Technical Service by calling 1-800-274-6846. **Please note that you will be asked to provide proof of initial purchase when calling.** If a product requires further inspection, the Technical Service representative will explain and assist with any additional action needed. JET has Authorized Service Centers located throughout the United States. For the name of an Authorized Service Center in your area call 1-800-274-6846 or use the Service Center Locator on the JET website.

More Information

JET is constantly adding new products. For complete, up-to-date product information, check with your local distributor or visit the JET website.

How State Law Applies

This warranty gives you specific legal rights, subject to applicable state law.

Limitations on This Warranty

JET LIMITS ALL IMPLIED WARRANTIES TO THE PERIOD OF THE LIMITED WARRANTY FOR EACH PRODUCT. EXCEPT AS STATED HEREIN, ANY IMPLIED WARRANTIES OF MERCHANTABILITY AND FITNESS FOR A PARTICULAR PURPOSE ARE EXCLUDED. SOME STATES DO NOT ALLOW LIMITATIONS ON HOW LONG AN IMPLIED WARRANTY LASTS, SO THE ABOVE LIMITATION MAY NOT APPLY TO YOU.

JET SHALL IN NO EVENT BE LIABLE FOR DEATH, INJURIES TO PERSONS OR PROPERTY, OR FOR INCIDENTAL, CONTINGENT, SPECIAL, OR CONSEQUENTIAL DAMAGES ARISING FROM THE USE OF OUR PRODUCTS. SOME STATES DO NOT ALLOW THE EXCLUSION OR LIMITATION OF INCIDENTAL OR CONSEQUENTIAL DAMAGES, SO THE ABOVE LIMITATION OR EXCLUSION MAY NOT APPLY TO YOU.

JET sells through distributors only. The specifications listed in JET printed materials and on official JET website are given as general information and are not binding. JET reserves the right to effect at any time, without prior notice, those alterations to parts, fittings, and accessory equipment which they may deem necessary for any reason whatsoever. JET® branded products are not sold in Canada by JPW Industries, Inc.

Product Listing with Warranty Period

90 Days – Parts; Consumable items
1 Year – Motors; Machine Accessories
2 Year – Metalworking Machinery; Electric Hoists, Electric Hoist Accessories; Woodworking Machinery used for industrial or commercial purposes; Air Tools
3 Year – selected bench top machinery
5 Year – Woodworking Machinery
Limited Lifetime – JET Parallel clamps; VOLT Series Electric Hoists; Manual Hoists; Manual Hoist Accessories; Shop Tools; Warehouse & Dock products; Hand Tools

NOTE: JET is a division of JPW Industries, Inc. References in this document to JET also apply to JPW Industries, Inc., or any of its successors in interest to the JET brand.



427 New Sanford Road
LaVergne, Tennessee 37086
Phone: 800-274-6848
www.jettools.com