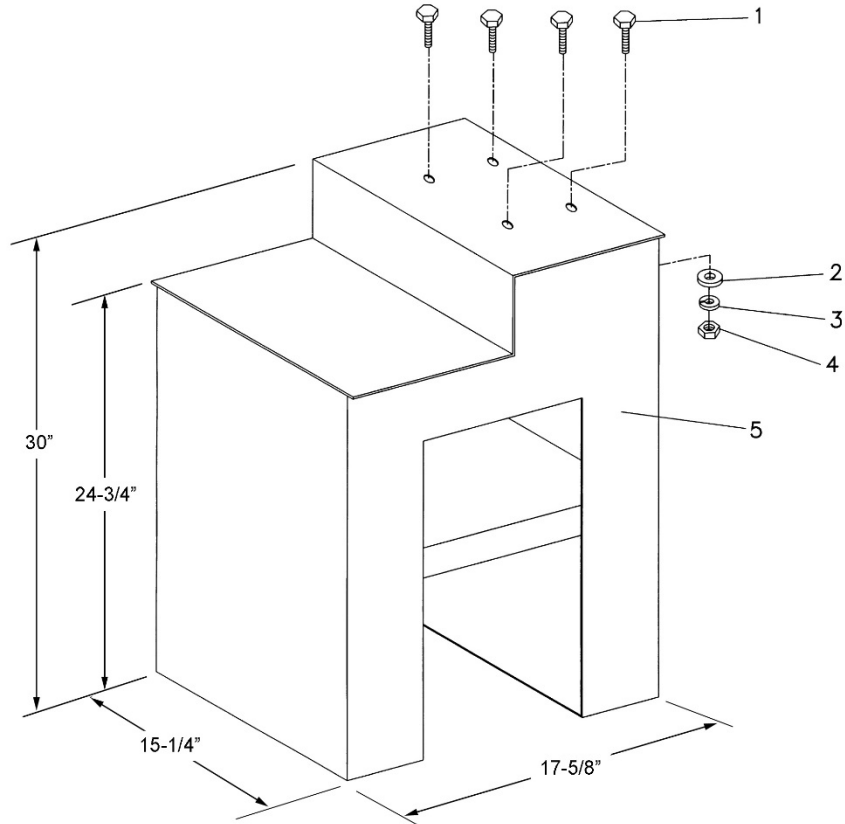




Parts List for 754017 Stand for Hand Notcher



Index No.	Part No.	Description	Size	Qty.
1	TS-1492041	Hex Cap Bolt	M12x40	12
2	TS-2360121	Flat Washer	M12	4
3	TS-1551081	Lock Washer	M12	4
4	TS-1540081	Hex Nut	M12	4
5	754017G	Stand for HN-16N Hand Notcher		1
6	LM000161	ID Label, S-16N (not shown)		1
7	JET-165	JET Logo with adhesive (not shown)	165 x 68mm	1

Replacement Parts

To order parts or reach our service department, call 1-800-274-6848 Monday through Friday, 8:00 a.m. to 5:00 p.m. CST. Having the Model Number and Serial Number of your machine available when you call will allow us to serve you quickly and accurately.

⚠ WARNING: This product can expose you to chemicals including lead which is known to the State of California to cause cancer and birth defects or other reproductive harm. For more information go to <http://www.p65warnings.ca.gov>.

JET
 427 New Sanford Road
 LaVergne, Tennessee 37086
 Ph.: 800-274-6848
www.jettools.com

Part No. M-754017
 Revision C1 08/2018
 Copyright © 2015 JET, a Division of JPW Industries, Inc.