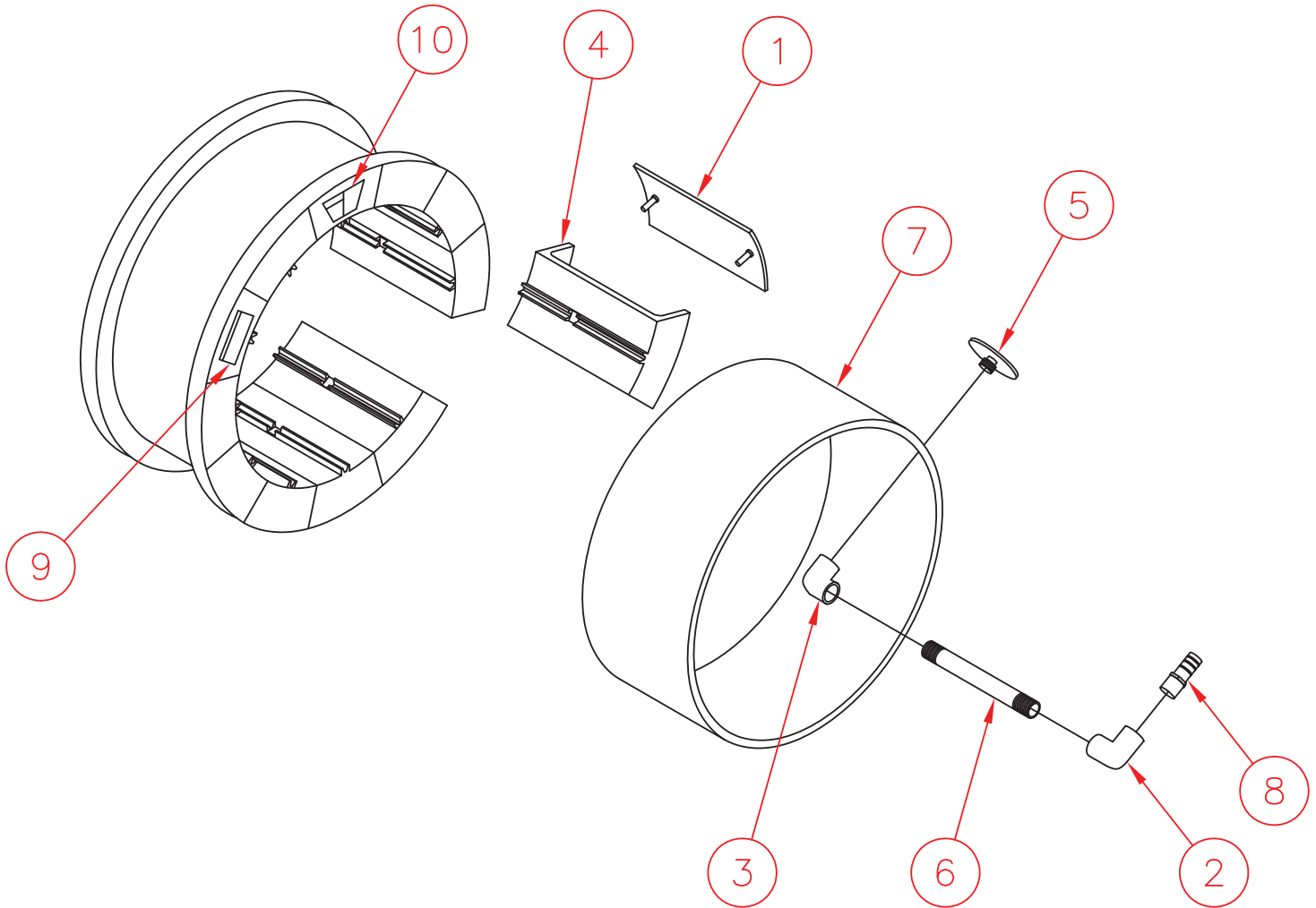


# #8.510 EXPANDABLE RIM

02.20.2019



13" x 16" x 8"

## REPAIR PARTS

No.	Description	Part No.	Qty.
1.	Slide Plate	5798	12
2.	Elbow Reducer 1/4 NPT x 1/8 NPT x 90	4919	2
3.	Elbow Reducer 1/4 NPT x 1/8 NPT x 90	4794-2	2
4.	Casting Section Alum-365	10046	12
5.	End Nozzle	4884	2
6.	Nipple	4918	2
7.	Belt, Rubber	10055	1
8.	Coupler, Male, 1/4 NPT Male	4980	2
9.	Name Plate	10853	1
10.	Decal-Warning (Pinch Point)	10185	2

**Order parts from your distributor or jobber.**  
When ordering parts always give the following information: Part number, description and serial number of your machine.

