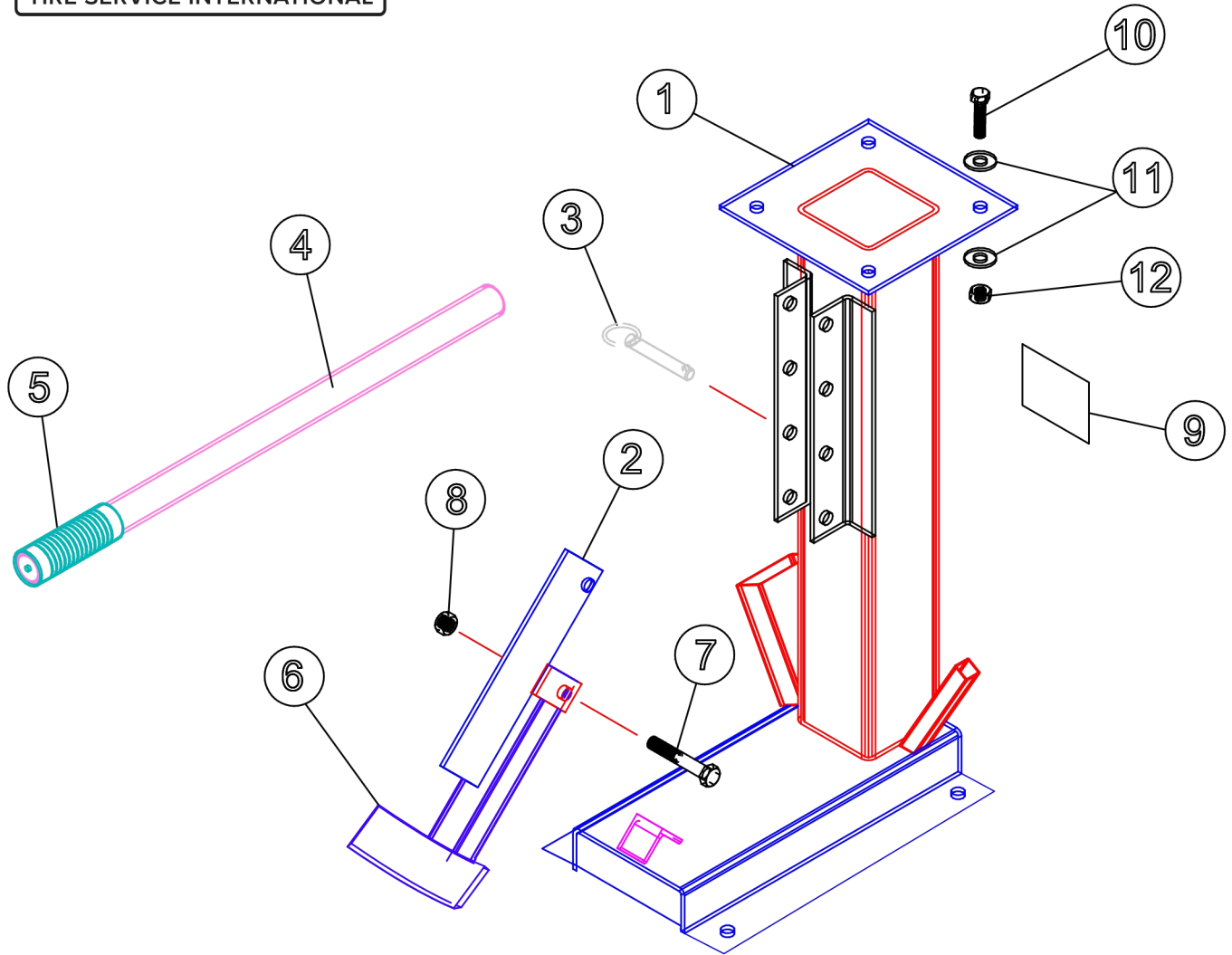




TIRE SERVICE INTERNATIONAL



REPAIR PARTS

No.	Description	Part No.	Qty.	No.	Description	Part No.	Qty.
1.	Stand Weld	6019	1	11.	Washer, 3/8 SAE Plated	4721	8
2.	Bar Weld	6022	1	12.	Nut, Self Lock 3/8 – 16	212	4
3.	Pin, Cotterless	4987	1				
4.	Bead Breaker Lever	10949	1				
5.	Grip, Hand	10948	1				
6.	Show Weld	6023	1				
7.	Cap Screw 1/2 – 13 x 3	485	1				
8.	Nut, Hex Lock 1/2 – 13	223	1				
9.	N/A	N/A					
10.	HHCS 3/8 – 16 x 1 GR 5	1306	4				

Order parts from your distributor or jobber.
 When ordering parts always give the following information: Part number, description and serial number of your machine.