



Operating Instructions and Parts Manual

3/4, 1-1/2, and 3 Ton Grip Pullers

Models JG-75A, JG-150A, JG-300A



Model JG-75A shown

JET
427 New Sanford Road
LaVergne, Tennessee 37086
Ph.: 800-274-6848
www.jettools.com

Part No. M-286575
Revision B1 04/2020
Copyright © 2017 JET

Warranty and Service

JET warrants every product it sells against manufacturers' defects. If one of our tools needs service or repair, please contact Technical Service by calling 1-800-274-6846, 8AM to 5PM CST, Monday through Friday.

Warranty Period

The general warranty lasts for the time period specified in the literature included with your product or on the official JET branded website.

- JET products carry a limited warranty which varies in duration based upon the product. (See chart below)
- Accessories carry a limited warranty of one year from the date of receipt.
- Consumable items are defined as expendable parts or accessories expected to become inoperable within a reasonable amount of use and are covered by a 90 day limited warranty against manufacturer's defects.

Who is Covered

This warranty covers only the initial purchaser of the product from the date of delivery.

What is Covered

This warranty covers any defects in workmanship or materials subject to the limitations stated below. This warranty does not cover failures due directly or indirectly to misuse, abuse, negligence or accidents, normal wear-and-tear, improper repair, alterations or lack of maintenance. JET woodworking machinery is designed to be used with Wood. Use of these machines in the processing of metal, plastics, or other materials outside recommended guidelines may void the warranty. The exceptions are acrylics and other natural items that are made specifically for wood turning.

Warranty Limitations

Woodworking products with a Five Year Warranty that are used for commercial or industrial purposes default to a Two Year Warranty. Please contact Technical Service at 1-800-274-6846 for further clarification.

How to Get Technical Support

Please contact Technical Service by calling 1-800-274-6846. **Please note that you will be asked to provide proof of initial purchase when calling.** If a product requires further inspection, the Technical Service representative will explain and assist with any additional action needed. JET has Authorized Service Centers located throughout the United States. For the name of an Authorized Service Center in your area call 1-800-274-6846 or use the Service Center Locator on the JET website.

More Information

JET is constantly adding new products. For complete, up-to-date product information, check with your local distributor or visit the JET website.

How State Law Applies

This warranty gives you specific legal rights, subject to applicable state law.

Limitations on This Warranty

JET LIMITS ALL IMPLIED WARRANTIES TO THE PERIOD OF THE LIMITED WARRANTY FOR EACH PRODUCT. EXCEPT AS STATED HEREIN, ANY IMPLIED WARRANTIES OF MERCHANTABILITY AND FITNESS FOR A PARTICULAR PURPOSE ARE EXCLUDED. SOME STATES DO NOT ALLOW LIMITATIONS ON HOW LONG AN IMPLIED WARRANTY LASTS, SO THE ABOVE LIMITATION MAY NOT APPLY TO YOU. JET SHALL IN NO EVENT BE LIABLE FOR DEATH, INJURIES TO PERSONS OR PROPERTY, OR FOR INCIDENTAL, CONTINGENT, SPECIAL, OR CONSEQUENTIAL DAMAGES ARISING FROM THE USE OF OUR PRODUCTS. SOME STATES DO NOT ALLOW THE EXCLUSION OR LIMITATION OF INCIDENTAL OR CONSEQUENTIAL DAMAGES, SO THE ABOVE LIMITATION OR EXCLUSION MAY NOT APPLY TO YOU.

JET sells through distributors only. The specifications listed in JET printed materials and on official JET website are given as general information and are not binding. JET reserves the right to effect at any time, without prior notice, those alterations to parts, fittings, and accessory equipment which they may deem necessary for any reason whatsoever. JET® branded products are not sold in Canada by JPW Industries, Inc.

Product Listing with Warranty Period

90 Days – Parts; Consumable items
1 Year – Motors; Machine Accessories
2 Year – Metalworking Machinery; Electric Hoists, Electric Hoist Accessories; Woodworking Machinery used for industrial or commercial purposes; Air Tools
5 Year – Woodworking Machinery
Limited Lifetime – JET Parallel clamps; VOLT Series Electric Hoists; Manual Hoists; Manual Hoist Accessories; Shop Tools; Warehouse & Dock products; Hand Tools

NOTE: JET is a division of JPW Industries, Inc. References in this document to JET also apply to JPW Industries, Inc., or any of its successors in interest to the JET brand.

Table of Contents

Warranty and Service.....	2
Warning.....	3
Introduction.....	4
Specifications.....	4
Replacement Parts.....	4
Unpacking.....	5
Contents of the Shipping Container.....	5
Assembly and Set-Up.....	5
Pre-Lubrication.....	5
Inserting Wire Rope.....	5
Operation.....	6
Maintenance.....	7
JG-75A (3/4 Ton Grip Puller).....	8
Parts List: JG-75A (3/4 Ton Grip Puller).....	9
JG-150A (1-1/2 Ton Grip Puller).....	10
Parts List: JG-150A (1-1/2 Ton Grip Puller).....	11
JG-300A (3 Ton Grip Puller).....	12
Parts List: JG-300A (3 Ton Grip Puller).....	13

Warnings

1. Read and understand owner's manual before operating grip puller. Familiarize yourself with the content of the warning label on your puller.
2. Do not exceed rated capacity.
3. Supporting structure used with this device must provide adequate support to handle all puller operations plus the weight of the puller and attached equipment. If in doubt, consult a registered structural engineer.
4. Never use handle extensions (cheaters).
5. Do not use with twisted, kinked, frayed or otherwise damaged wire rope.
6. Do not use if grip puller is damaged or malfunctioning.
7. Do not lift people or loads over people. Always keep people clear from load path.
8. When using grip puller to lift vertically, make sure hook is centered under the puller.
9. Do not use as a tow line.
10. Do not use with a hook that is open or twisted, or without safety latch.
11. Never run wire rope over a sharp edge.
12. Never leave a suspended load unattended.
13. Do not swing a suspended load.
14. Always inspect the puller before each use. Replace if any component is damaged or malfunctioning.
15. Always use gloves when handling wire rope. Do not wear loose clothing which can become entangled in moving parts.
16. Do not use this grip puller in an explosive environment.
17. Give your work undivided attention. Looking around, carrying on a conversation and "horse-play" are careless acts that can result in serious injury.
18. Do not operate this tool while tired or under the influence of drugs, alcohol or any medication.
19. Failure to comply with the above warnings may result in personal injury and/or property damage.

Introduction

This manual is provided by JET covering the safe operation and maintenance procedures for a JET Grip Puller. This manual contains instructions on installation, safety precautions, general operating procedures, maintenance instructions and parts breakdown. This tool has been designed and constructed to provide consistent, long-term operation if used in accordance with instructions set forth in this manual. If there are any questions or comments, please contact either your local supplier or JET. JET can also be reached at our web site: www.jettools.com.

Specifications

Stock Number*	286575	286515	286530
Model Number	JG-75A	JG-150A	JG-300A
Rated Lifting Capacity (kg.)	800	1600	3200
Max. Travelling Load (kg.)	1,200	2,400	4,800
Handle Length Min./Max. (in.)	17-3/4 / 29-1/8	31-1/2 / 47-1/4	31-1/2 / 47-1/4
Distance Per Stroke (in.)	2	2.17	1.10
Dimensions (LxWxH)(in.)	16-3/4 x 2-1/2 x 9-1/4	21-1/2 x 3-7/8 x 11	26 x 4-1/2 x 12-3/4
Wire Rope Diameter (in.)	5/16	7/16	5/8
Approximate Net Weight (lbs.)	36	48	123

*NOTE: The above stock numbers do not include the wire rope. To include a wire rope with the grip puller, add a "K" to the end of the stock number.

The above specifications were current at the time this manual was published, but because of our policy of continuous improvement, JET reserves the right to change specifications at any time and without prior notice, without incurring obligations.

Replacement Parts

Replacement Parts are listed on pages 8 through 13. To order parts or reach our service department, call 1-800-274-6848 Monday through Friday, 8:00 a.m. to 5:00 p.m. CST. Having the Model Number and Serial Number of your machine available when you call will allow us to serve you quickly and accurately.

Unpacking

Open shipping container and check for shipping damage. Report any damage immediately to your distributor and shipping agent. Do not discard any shipping material until the Grip Puller is assembled and operating properly.

Compare the contents of your container with the following parts list to make sure all parts are intact. Missing parts, if any, should be reported to your distributor. Read the instruction manual thoroughly for assembly, maintenance and safety instructions.

Contents of the Shipping Container

- 1 Grip Puller
- 1 Telescopic Handle
- 1 Swivel Hook
- 1 Wire Rope, 5/16" diameter (*sold and packaged separately*)
- 1 Owner's Manual
- 1 Product Registration Card

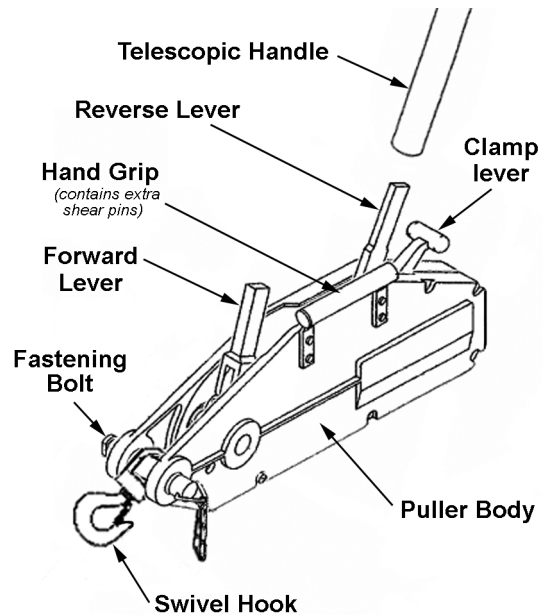


Figure 1
FEATURES OF THE GRIP PULLER
(1-1/2 ton model shown)

Assembly and Set-Up

Pre-Lubrication

Before proceeding with assembly, lubricate the puller as follows: Apply oil to the puller mechanisms while continuously operating the *reverse lever* (see Figure 1). This will help spread oil to internal parts. Use special care to oil pawls and links well. A wear-resistant oil is recommended.

CAUTION Without proper lubrication, the pawls will fail to engage the wire rope, and the wire rope will not move.

Inserting Wire Rope

1. Attach the eye of the swivel hook to the fastening bolt on the puller. Be sure to install the cotter pin through the fastening bolt. Attach the hook to a suitable anchorage point, as shown in Figure 2.
2. Release the clamp by pushing the clamp lever securely into the notch on the puller body.
3. Insert the end of the wire rope (the end is welded to provide easy entrance) into the rope inlet at the rear of the puller. Feed the wire rope through until it emerges at the other end.

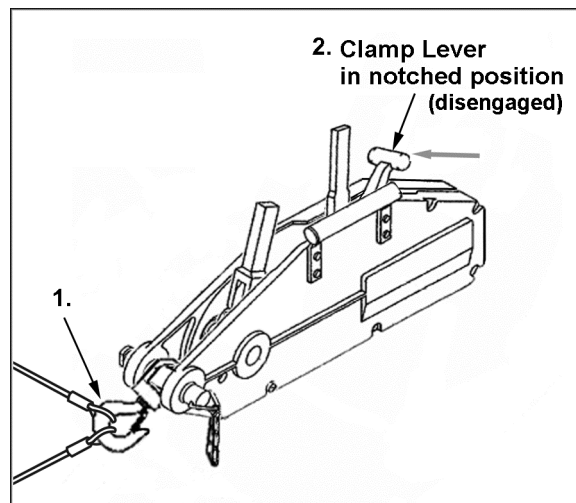


Figure 2

4. Pull the wire rope through by hand to take up the slack and make sure that the exit point is not obstructed.
5. While keeping the wire rope taut, push down on the clamp lever and allow it to spring back to its natural position. This will engage the wire rope within the puller.
6. Mount the telescopic handle to either the forward or reverse lever, according to the action desired. Rotate the handle until it is secure on the lever.
7. The puller is now ready to operate.

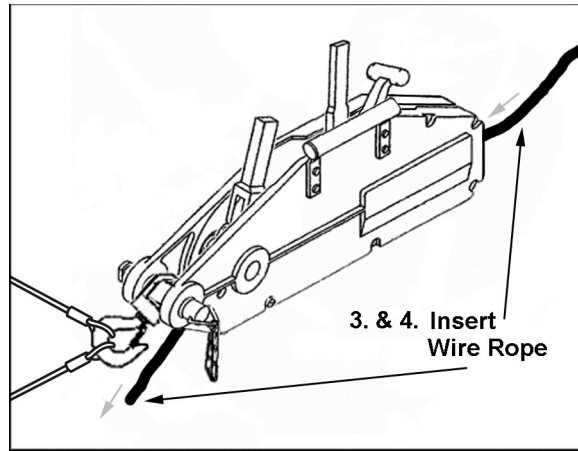


Figure 3

Operation

The grip puller uses standard ASA wire rope and may be used in any position to lift, pull, lower or stretch heavy loads. Before attempting operation of this product, you should become thoroughly familiar with the warnings on page 3.

To operate the grip puller:

1. Place load cable(s) in the middle of the hook and *inside the safety latch*. DO NOT attach any cables outside the safety latch on either the puller hook or the wire rope hook. See Figure 5.
2. Lay out the wire rope correctly without twisting. Twisting the wire rope reduces its strength. See Figure 6.
3. To send the wire rope forward, set the telescopic handle on the *forward lever* and move it back and forth.
4. To send the wire rope backward, set the telescopic handle on the *reverse lever* and move it back and forth.

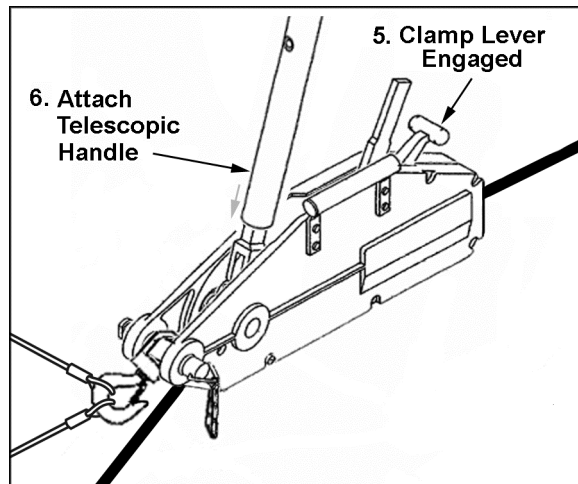


Figure 4

IMPORTANT: A shear pin (#25 in the parts list) is installed in the forward lever. If the load being handled is too excessive for the puller's capacity, the shear pin is designed to break. If this occurs, **decrease the load or use other equipment of higher pulling capacity.** The broken shear pin is easily replaced using one of the spare shear pins which are found within the hand grip of the 1-1/2 and 3-ton pullers (see Figure 1) and in the telescopic handle of the 3/4-ton puller.

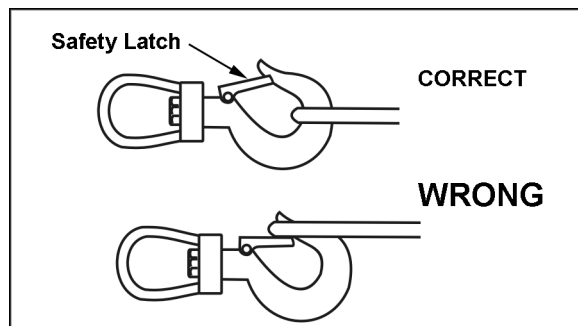


Figure 5

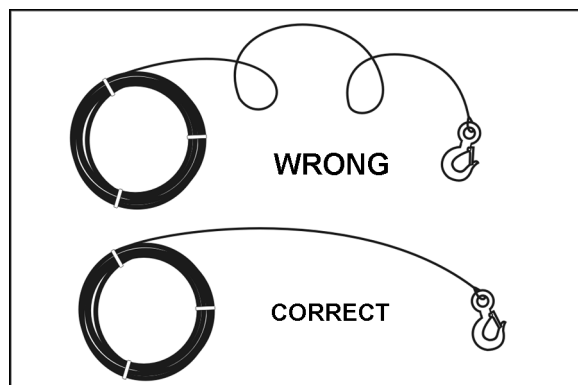


Figure 6

Before storing the grip puller:

5. After use, remove the wire rope from the main body by setting the clamp lever into the notch (disengage clamp), then pulling the wire rope from the inlet side at the rear of the puller.
6. After the wire rope is removed, push the clamp lever out of the notch and let it snap back to its original position. If the clamp lever is kept in the notch for an extended time period, its spring may become stretched.
7. Wipe off any sand or water from the puller body, including internal mechanisms, and the wire rope, then apply oil liberally to both.
8. Store the grip puller away from rain, dew, high humidity areas or around acidic chemicals, which will promote rusting.

Maintenance

Make frequent and careful inspections of the puller. Make sure puller and wire rope are sufficiently oiled, and that they are free of any sand, dirt, dust or other obstruction or abnormality.

Make sure hooks are not deformed and that the puller body has not been warped or damaged.

Use care to prevent the wire rope from kinking. If the rope is left shaped like a basket or is kinked many turns at a single point, its strength is greatly diminished and may result in failure.

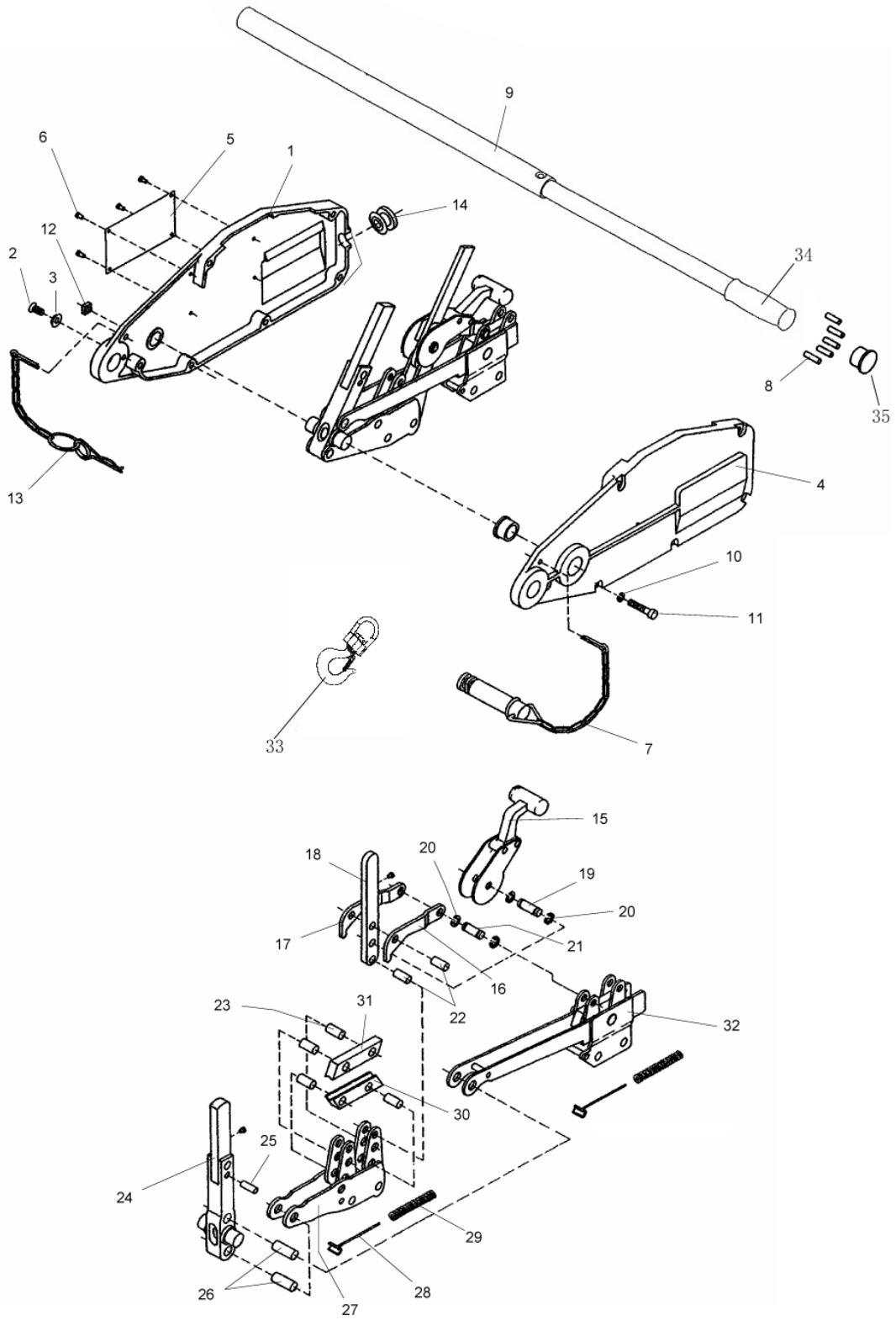
Replace the wire rope immediately if:

- The thickness of the rope becomes less than half of the original value due to abrasion.
- The rope exhibits basket-like shapes, kinks, or any abnormal deformation.
- The rope is given an exceptionally heavy shock during operation; this can fatigue the rope even if the load is within puller capacity.
- The entire rope is napped due to many small cuts.
- The eye section (thimble) of the wire rope becomes elliptical in shape.
- The clamp is deformed.

Troubleshooting

Trouble	Probable Cause	Remedy
Wire rope will not move in either direction.	Insufficient lubrication.	Oil the puller and wire rope.
	Puller is dirty.	Disassemble and clean out dust, dirt or other foreign matter. Oil the puller after reassembly.
	Clamp lever is not in proper position.	Release clamp lever from notch, and allow it to return to engaged position.
Wire rope will not advance during normal operation, or advances with great difficulty.	Clamp lever is not in proper position.	Release clamp lever from notch, and allow it to return to engaged position.
	Pawls are not lubricated.	Oil the pawl linkages properly; the pawls must engage the wire rope.
	Load is beyond puller capacity.	Decrease load.
	There is an obstruction within the wire rope's path.	Remove the wire rope; clean and oil the puller and the wire rope.
	The reverse lever is engaging the wire rope.	Check the position of the reverse lever. Correct as needed.
Clamp lever will not engage the wire rope properly.	Spring on clamp lever has become stretched.	Replace spring.

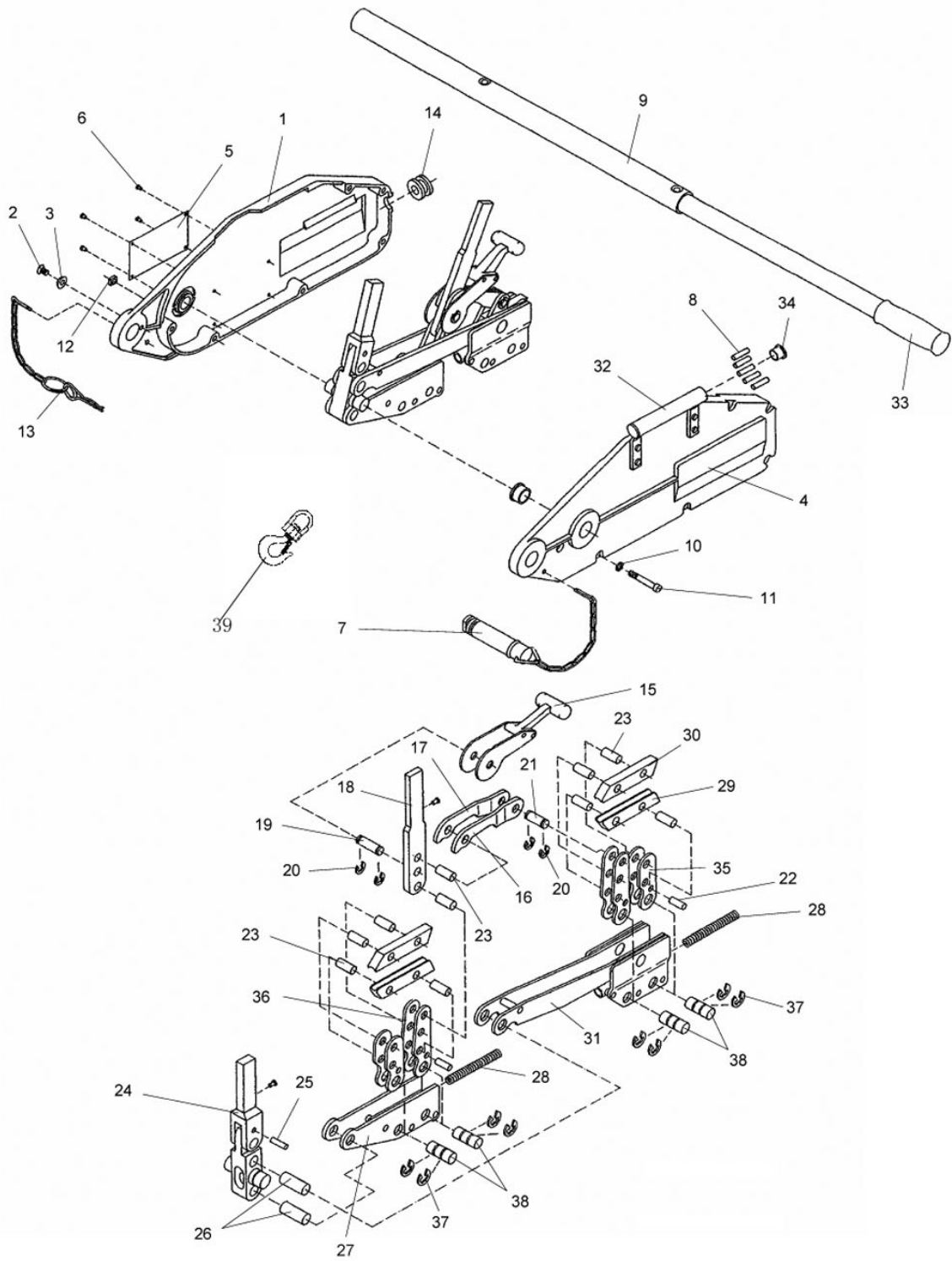
JG-75A (3/4 Ton Grip Puller)



Parts List: JG-75A (3/4 Ton Grip Puller)

Index No.	Part No.	Description	Size	Qty
1	JG75A-1	Case, Right		1
2	TS-2285121	Flat Head Screw	M5x12	1
3	JG75A-3	Washer		1
4	JG75A-4	Case, Left		1
5	JG75A-5	Name Plate		1
6	JG75A-6	Rivet	M2x6	4
7	JG75A-7	Fastening Bolt Assembly		1
8	JG75A-8	Shear Pin		2
9	JG75A-9	Telescopic Handle		1
10	TS-1551041	Lock Washer	M6	6
11	TS-1503091	Socket Head Cap Screw	M6x40	6
12	JG75A-12	Square Nut	M6	6
13	JG75A-13	Cotter Pin Assembly		1
14	JG75A-14	Wire Rope Guide Sleeve		1
15	JG75A-15	Release Lever		1
16	JG75A-16	Push Link, Left		1
17	JG75A-17	Push Link, Right		1
18	JG75A-18	Reverse (Backwards Action) Lever		1
19	JG75A-19	Shaft		1
20	JG75A-20	Retaining Ring	Ø6	4
21	JG75A-21	Shaft		1
22	JG75A-22	Pin		2
23	JG75A-23	Thrust Pin		8
24	JG75A-24	Forward Action Lever Assembly		1
25	JG75A-8	Shear Pin		1
26	JG75A-26	Axle		2
27	JG75A-27	Front Slide Assembly		1
28	JG75A-28	Spring Guide		2
29	JG75A-29	Spring		2
30	JG75A-30	Bottom Clamp		2
31	JG75A-31	Top Clamp		2
32	JG75A-32	Back Slide Assembly		1
33	JG75A-33	Swivel Hook		1
34	JG75A-34	Rubber Handle Grip		1
35	JG75A-35	Cap		1
	JG75A-WL	Warning Label (not shown)		1
	286574	3/4T Wire Rope, 66 Ft. (not shown)		1

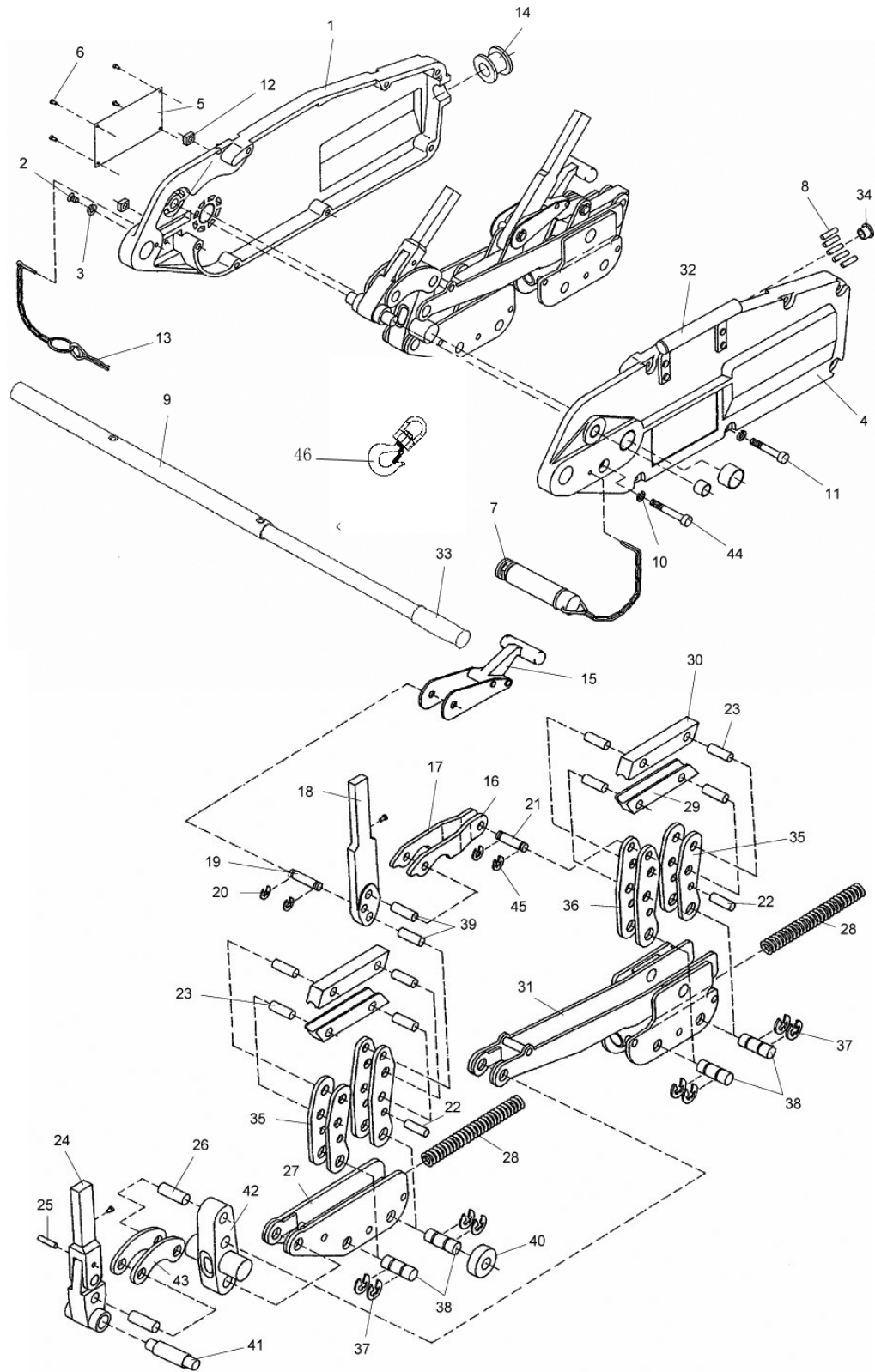
JG-150A (1-1/2 Ton Grip Puller)



Parts List: JG-150A (1-1/2 Ton Grip Puller)

Index No.	Part No.	Description	Size	Qty
1	JG150A-1	Case, Right		1
2	TS-2285121	Flat Head Screw	M5x12	1
3	JG75A-3	Washer		1
4	JG150A-4	Case, Left		1
5	JG150A-5	Name Plate		1
6	JG75A-6	Rivet	M2x6	4
7	JG150A-7	Fastening Bolt Assembly		1
8	JG150A-8	Shear Pin		5
9	JG150A-9	Telescopic Handle		1
10	TS-1551041	Lock Washer	M6	6
11	TS-1503121	Socket Head Cap Screw	M6x55	6
12	JG75A-12	Square Nut	M6	6
13	JG75A-13	Cotter Pin Assembly		1
14	JG150A-14	Wire Rope Guide Sleeve		1
15	JG150A-15	Release Lever		1
16	JG150A-16	Push Link, Left		1
17	JG150A-17	Push Link, Right		1
18	JG150A-18	Reverse (Backwards Action) Lever		1
19	JG150A-19	Shaft		1
20	JG150A-20	Retaining Ring	Ø9	4
21	JG150A-21	Shaft		1
22	JG150A-22	Pin		2
23	JG150A-23	Thrust Pin		10
24	JG150A-24	Forward Action Lever Assembly		1
25	JG150A-8	Shear Pin		1
26	JG150A-26	Axle		2
27	JG150A-27	Front Slide		2
28	JG150A-28	Spring		2
29	JG150A-29	Bottom Clamp		2
30	JG150A-30	Top Clamp		2
31	JG150A-31	Back Slide Assembly		1
32	JG150A-32	Hand Grip Assembly		1
33	JG150A-33	Rubber Handle Grip		1
34	JG150A-34	Cap		2
35	JG150A-35	Clamp Plate, Short		4
36	JG150A-36	Clamp Plate, Long		4
37	JG150A-37	Retaining Ring	Ø12	8
38	JG150A-38	Shaft		4
39	JG150A-39	Swivel Hook		1
	JG75A-WL	Warning Label (not shown)		1
	286514	1-1/2T Wire Rope, 66 Ft. (not shown)		1

JG-300A (3 Ton Grip Puller)



Parts List: JG-300A (3 Ton Grip Puller)

Index No.	Part No.	Description	Size	Qty
1	JG300A-1	Case, Right		1
2	JG300A-2	Flat Head Screw	M5x8	1
3	JG75A-3	Washer		1
4	JG300A-4	Case, Left		1
5	JG300A-5	Name Plate		1
6	JG75A-6	Rivet	M2x6	4
7	JG300A-7	Fastening Bolt Assembly		1
8	JG300A-8	Shear Pin		5
9	JG150A-9	Telescopic Handle		1
10	TS-1551061	Lock Washer	M8	6
11	TS-1504131	Socket Head Cap Screw	M8x70	6
12	JG300A-12	Square Nut	M8	6
13	JG75A-13	Cotter Pin Assembly		1
14	JG300A-14	Wire Rope Guide Sleeve		1
15	JG300A-15	Release Lever		1
16	JG300A-16	Push Link, Left		1
17	JG300A-17	Push Link, Right		1
18	JG300A-18	Reverse (Backwards Action) Lever		1
19	JG300A-19	Shaft		1
20	JG300A-20	Retaining Ring	Ø8	2
21	JG300A-21	Shaft		1
22	JG300A-22	Pin		2
23	JG300A-23	Thrust Pin		8
24	JG300A-24	Forward Action Lever Assembly		1
25	JG300A-8	Shear Pin		1
26	JG300A-26	Axle		2
27	JG300A-27	Front Slide		2
28	JG300A-28	Spring		2
29	JG300A-29	Bottom Clamp		2
30	JG300A-30	Top Clamp		2
31	JG300A-31	Back Slide Assembly		1
32	JG150A-32	Hand Grip Assembly		1
33	JG150A-33	Rubber Handle Grip		1
34	JG150A-34	Cap		2
35	JG300A-35	Clamp Plate, Short		4
36	JG300A-36	Clamp Plate, Long		4
37	JG150A-37	Retaining Ring	Ø12	8
38	JG300A-38	Shaft		4
39	JG300A-39	Pin		2
40	JG300A-40	Roller		1
41	JG300A-41	Shaft		1
42	JG300A-42	Center Post		1
43	JG300A-43	Actuating Link		2
44	JG300A-44	Socket Head Cap Screw	M8x85	1
45	JG150A-20	Retaining Ring	Ø9	2
46	JG300A-46	Swivel Hook		1
	JG75A-WL	Warning Label (not shown)		1
	286529	3T Wire Rope, 66 Ft. (not shown)		1

This page intentionally left blank.

This page intentionally left blank.



427 New Sanford Road
LaVergne, Tennessee 37086
Phone: 800-274-6848
www.jettools.com